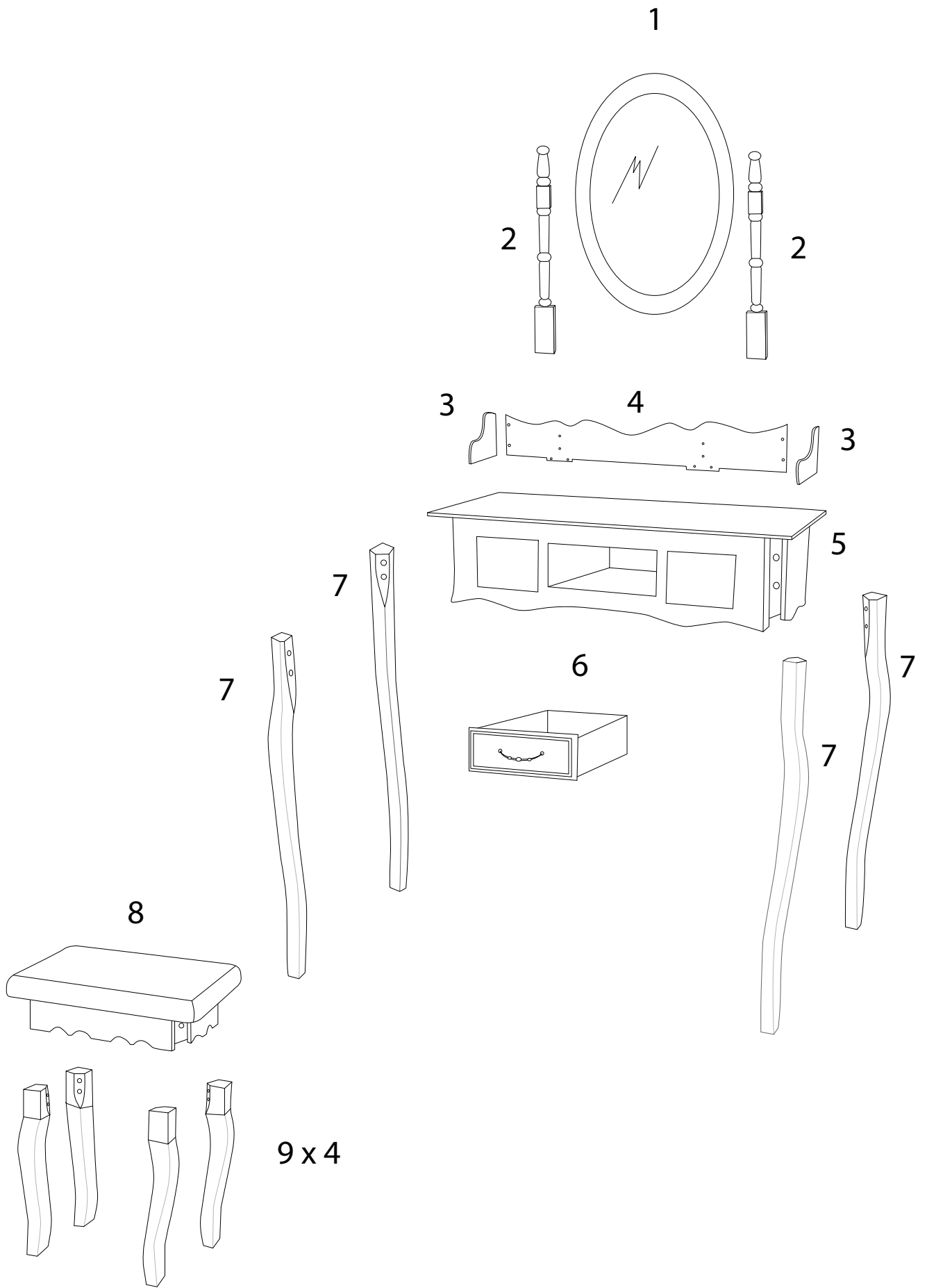
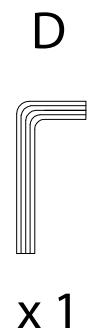
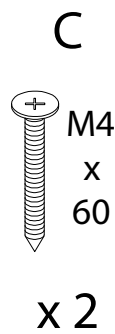
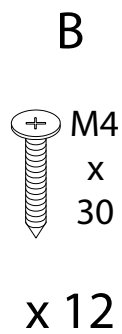
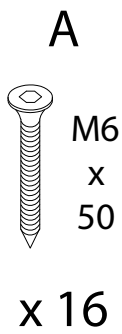
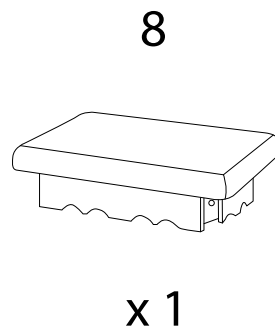
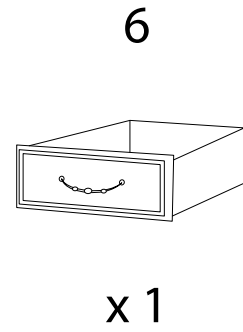
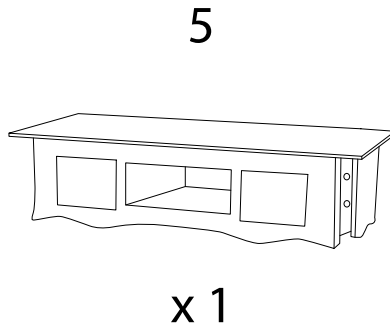
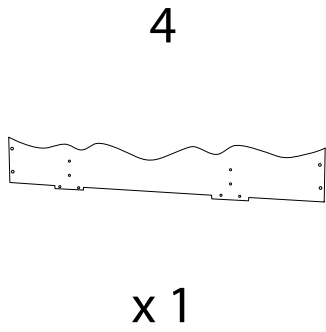
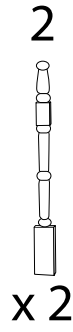


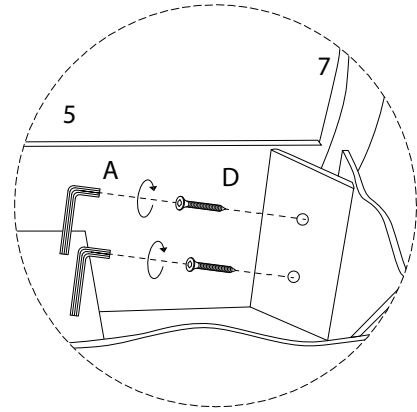
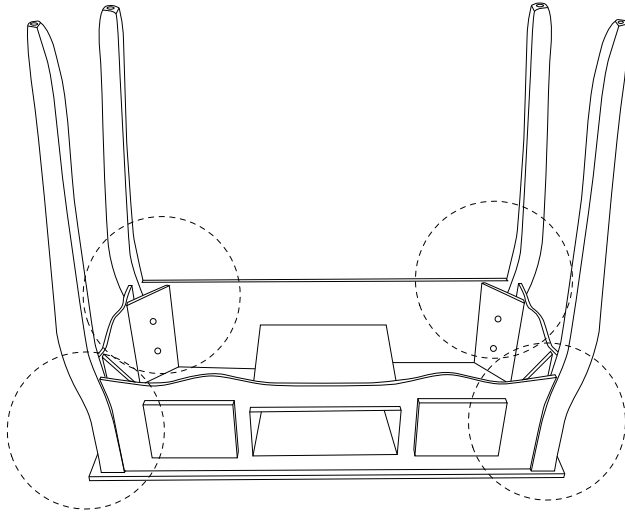
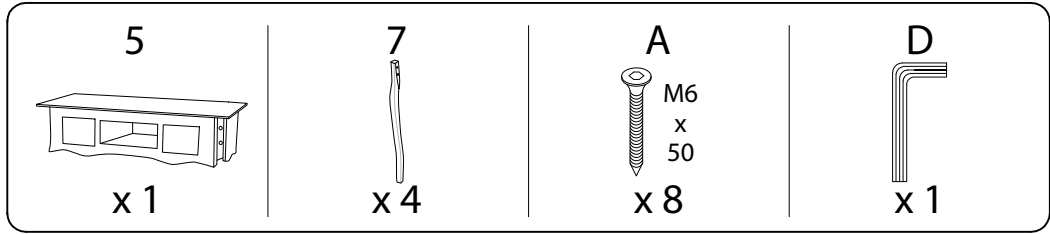
Assembly instructions for step 1/7:

- Tools:** A circle containing a screwdriver and an Allen key. A power drill is shown with a diagonal line through it, indicating it should not be used.
- Warning:** A triangle with an exclamation mark.
- Time:** A clock icon with the text "60'" below it, indicating a 60-minute assembly time.
- Personnel:** A stick figure icon with the number "1" below it, indicating that one person is required for assembly.

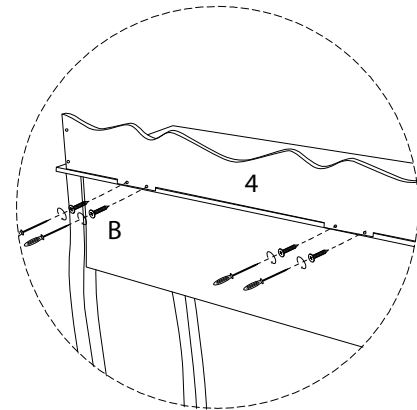
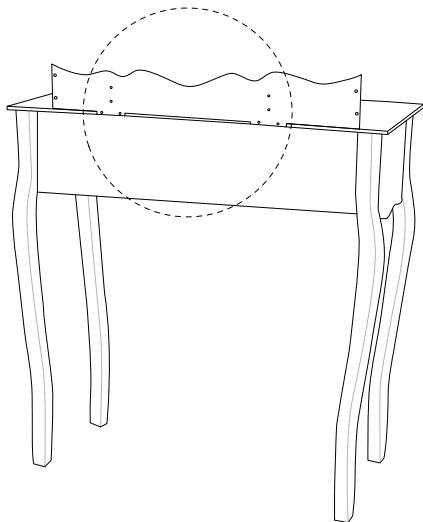
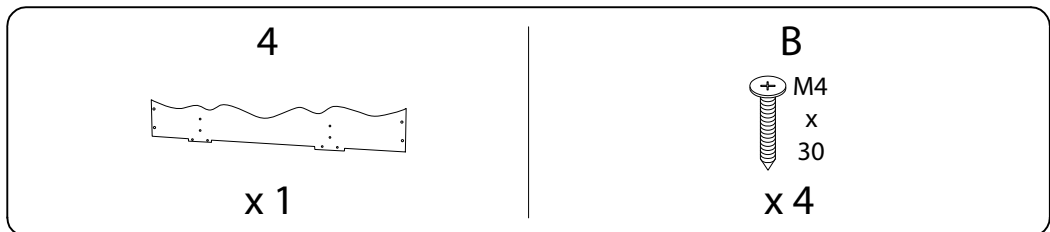




1



2



3

3

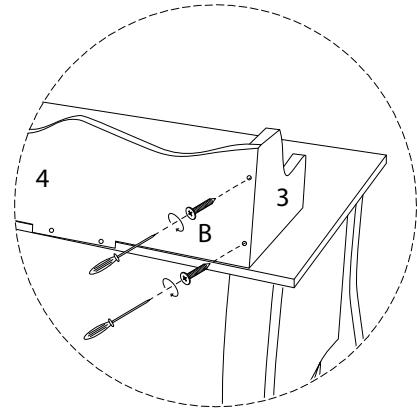
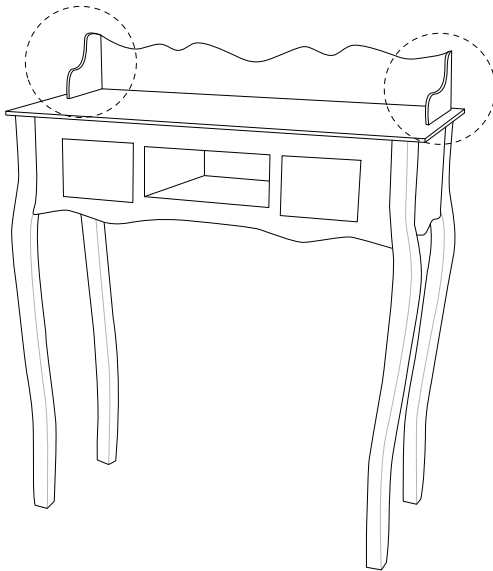


x 2

B



x 4



4

2

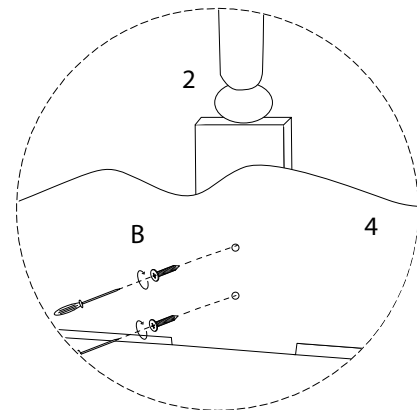
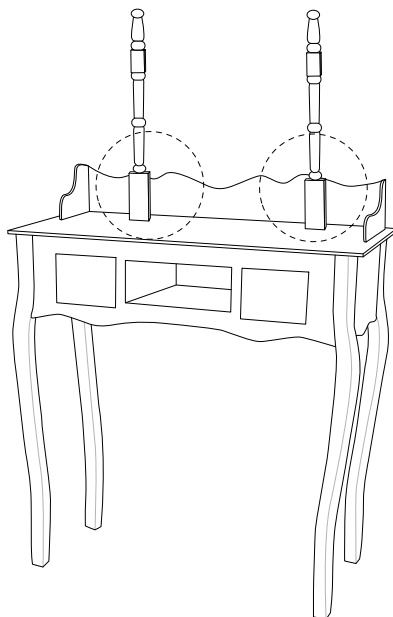


x 2

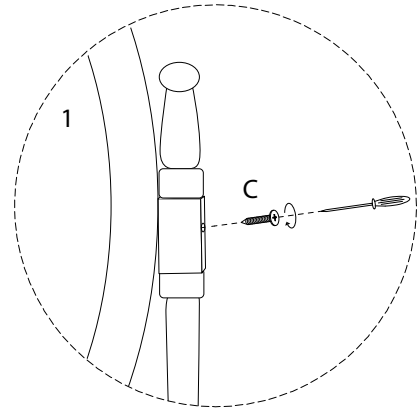
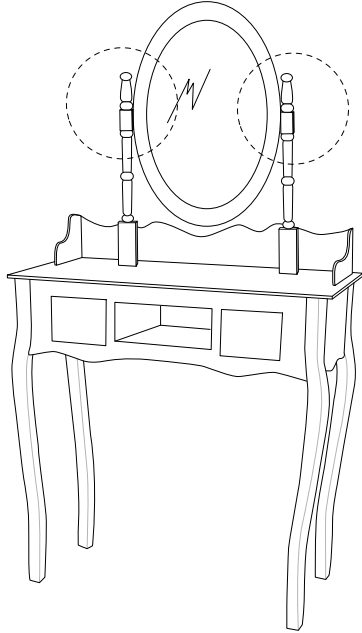
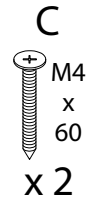
B



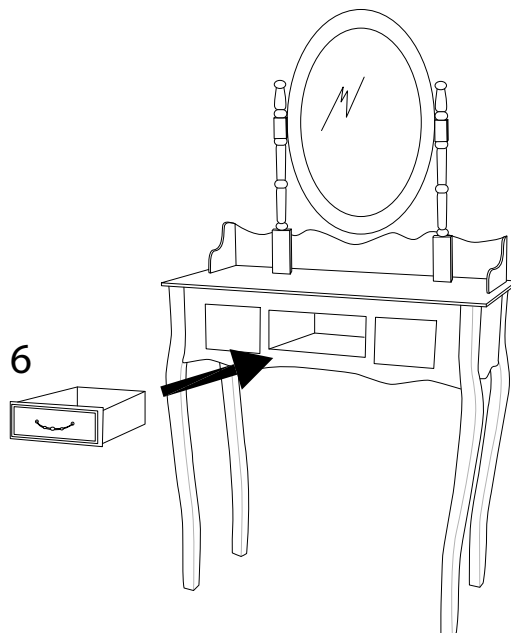
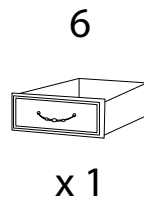
x 4



5



6



7

