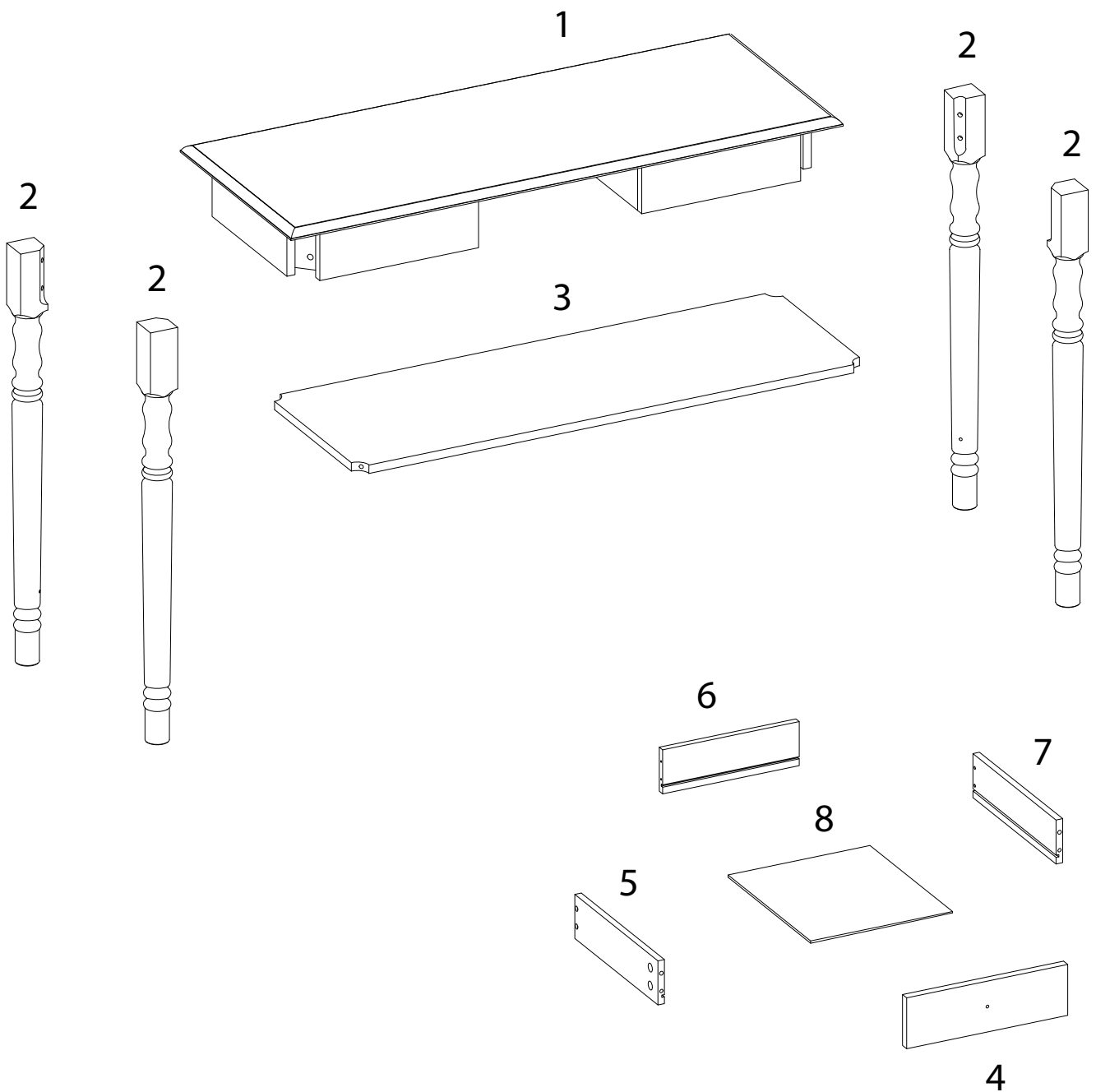
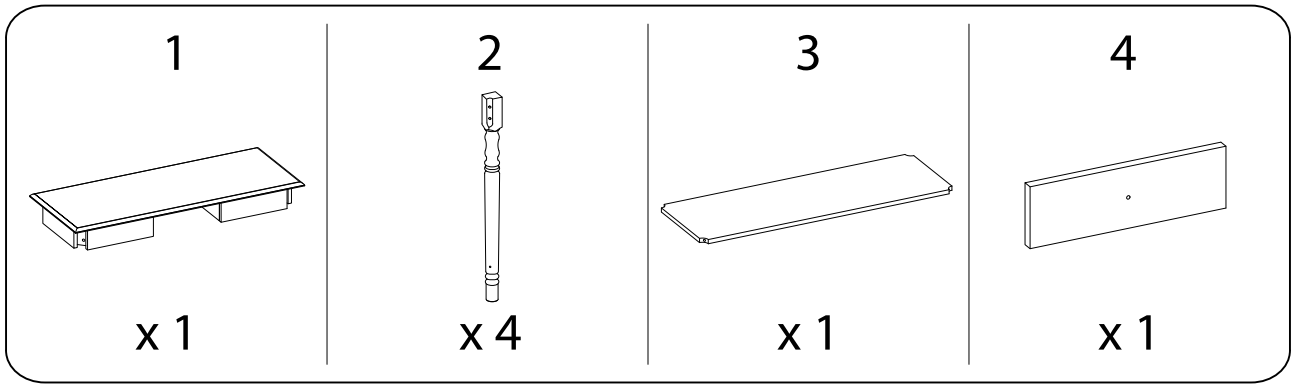
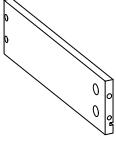

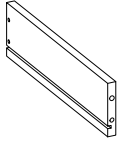
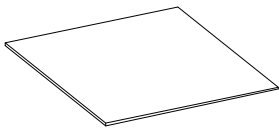


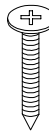
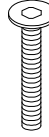
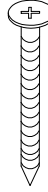

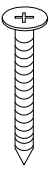
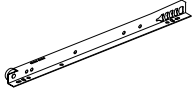
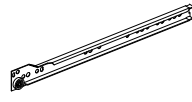
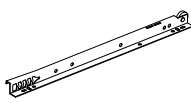
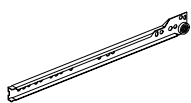
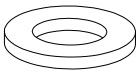
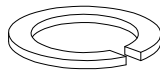



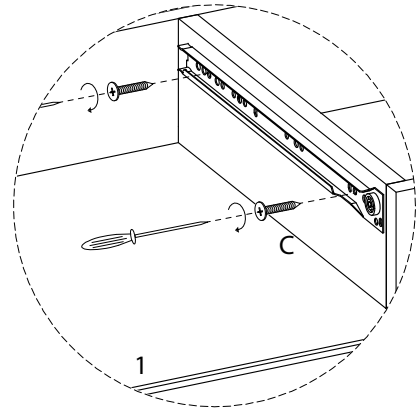
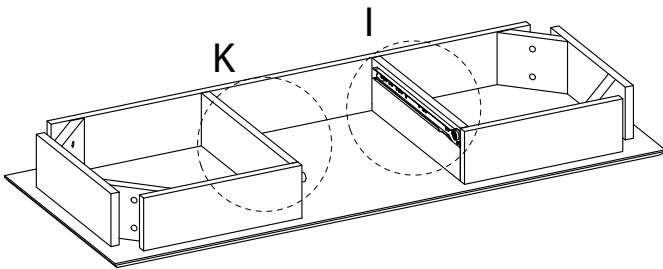
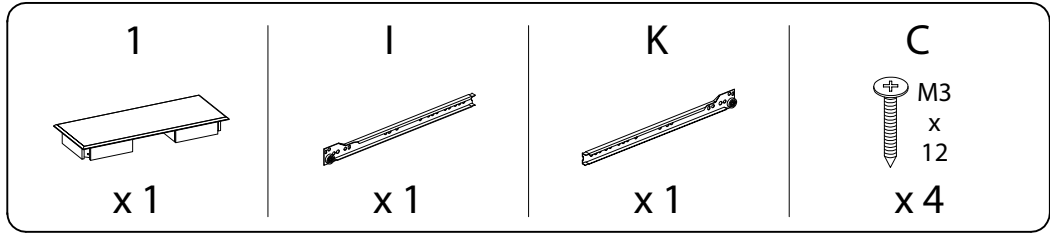
Assembly instructions for step 1/9:

- Tools:** A circle containing a screwdriver and an L-shaped hex key. A power drill is shown with a diagonal line through it, indicating it is not to be used.
- Warning:** A triangle with an exclamation mark.
- Time:** A clock icon with the text "40'" below it, indicating an estimated assembly time of 40 minutes.
- Personnel:** A stick figure icon with the number "1" below it, indicating that one person is required for assembly.

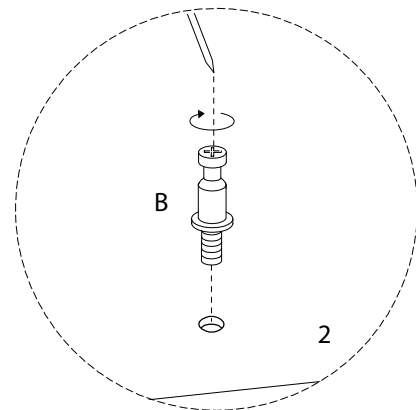
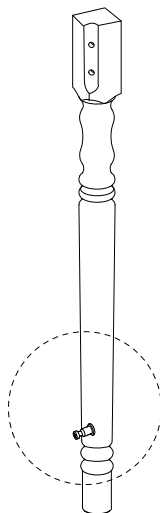
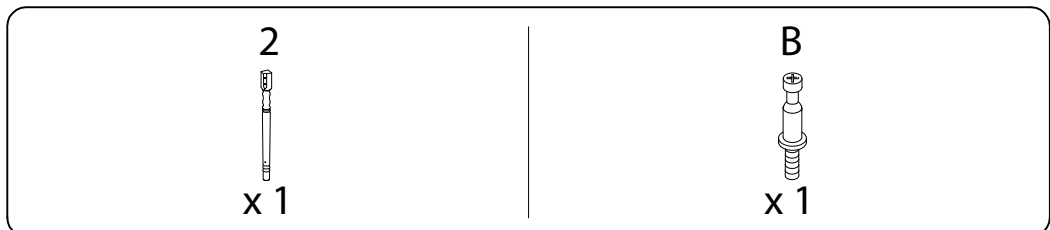


<p>5</p>  <p>x 1</p>	<p>6</p>  <p>x 1</p>	<p>7</p>  <p>x 1</p>	
<p>8</p>  <p>x 1</p>	<p>A</p>  <p>x 8</p>	<p>B</p>  <p>x 8</p>	
<p>C</p>  <p>M3 x 12</p> <p>x 8</p>	<p>D</p>  <p>M6 x 45</p> <p>x 8</p>	<p>E</p>  <p>M4 x 35</p> <p>x 4</p>	<p>F</p>  <p>x 1</p>
<p>G</p>  <p>M4 x 30</p> <p>x 1</p>	<p>H</p>  <p>x 1</p>	<p>I</p>  <p>x 1</p>	<p>J</p>  <p>x 1</p>
<p>K</p>  <p>x 1</p>	<p>L</p>  <p>x 8</p>	<p>M</p>  <p>x 8</p>	<p>N</p>  <p>x 1</p>

1

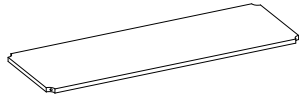


2 x 4



3

3

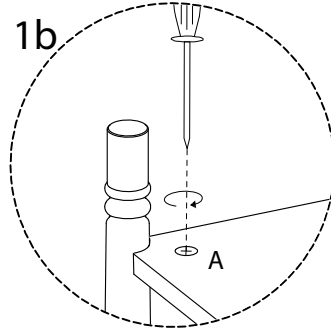
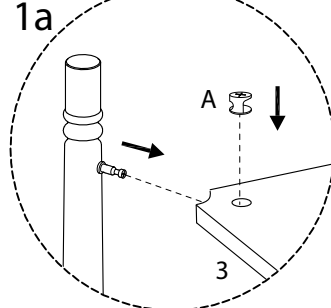
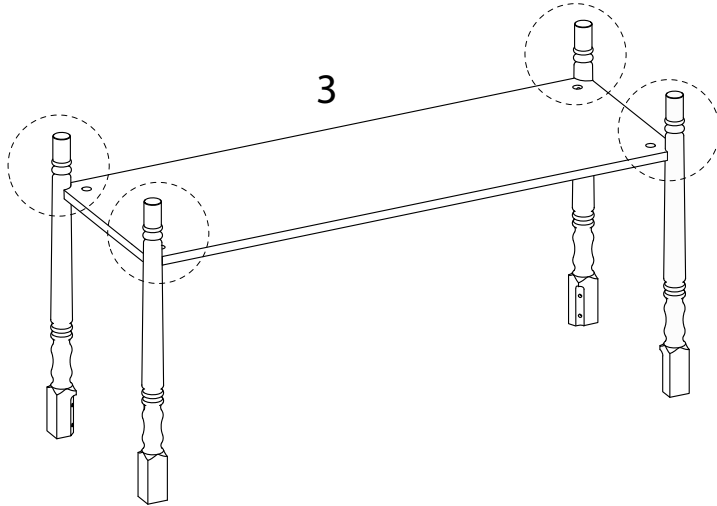


x 1

A



x 4



4

L



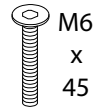
x 8

M



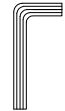
x 8

D

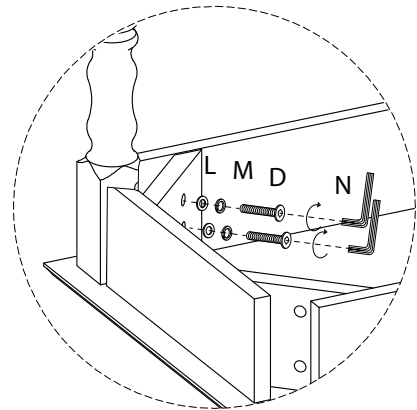
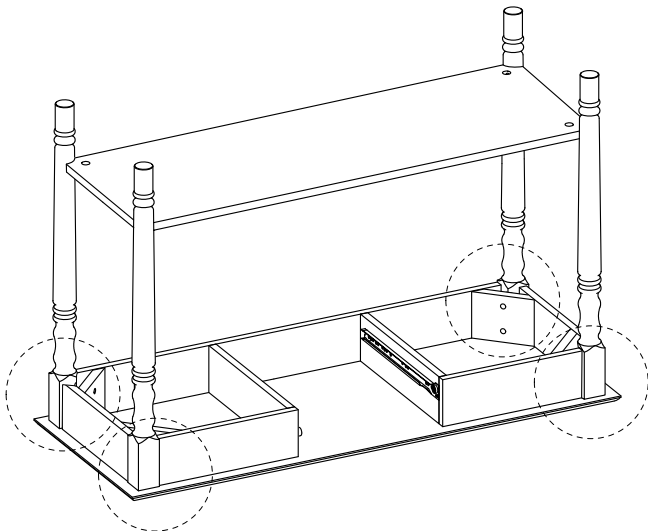


x 8

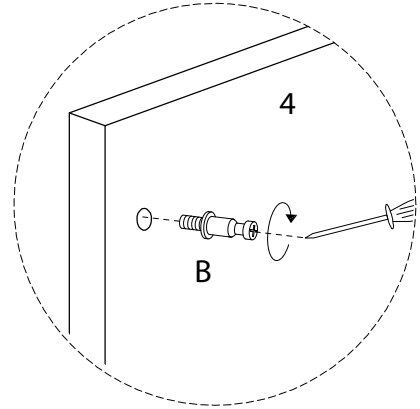
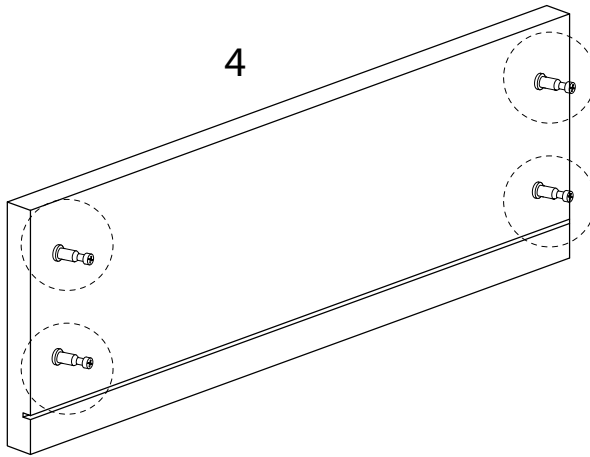
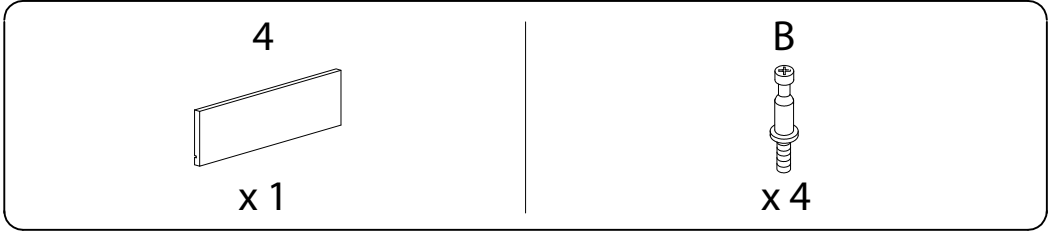
N



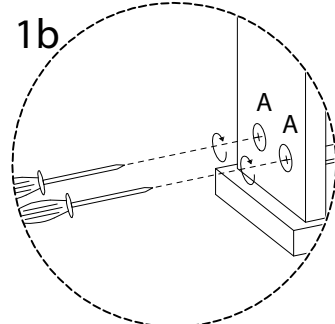
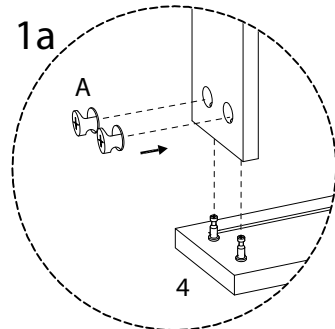
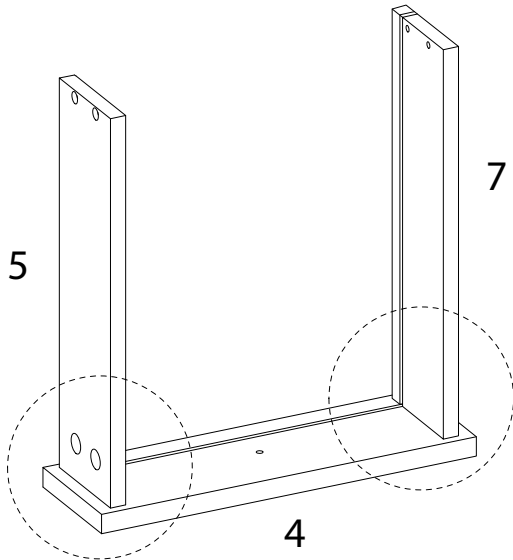
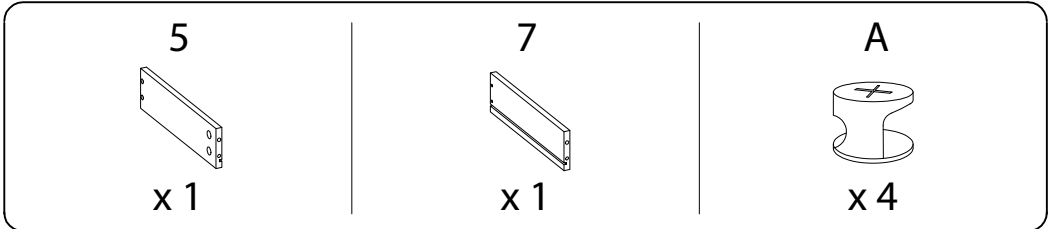
x 1



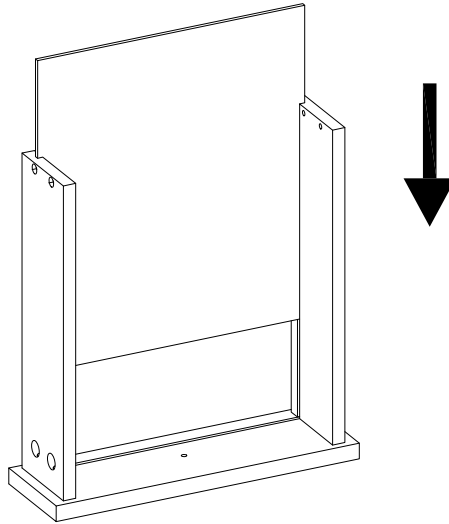
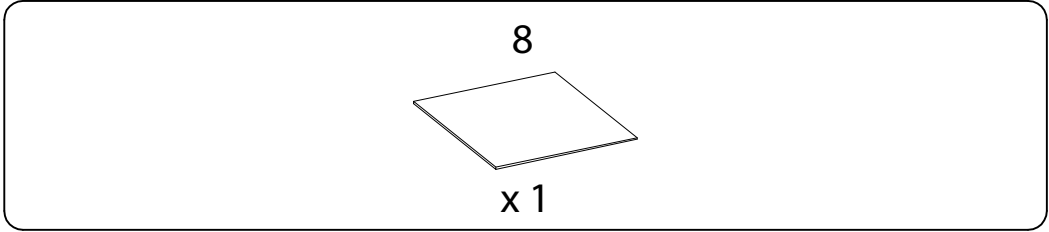
5



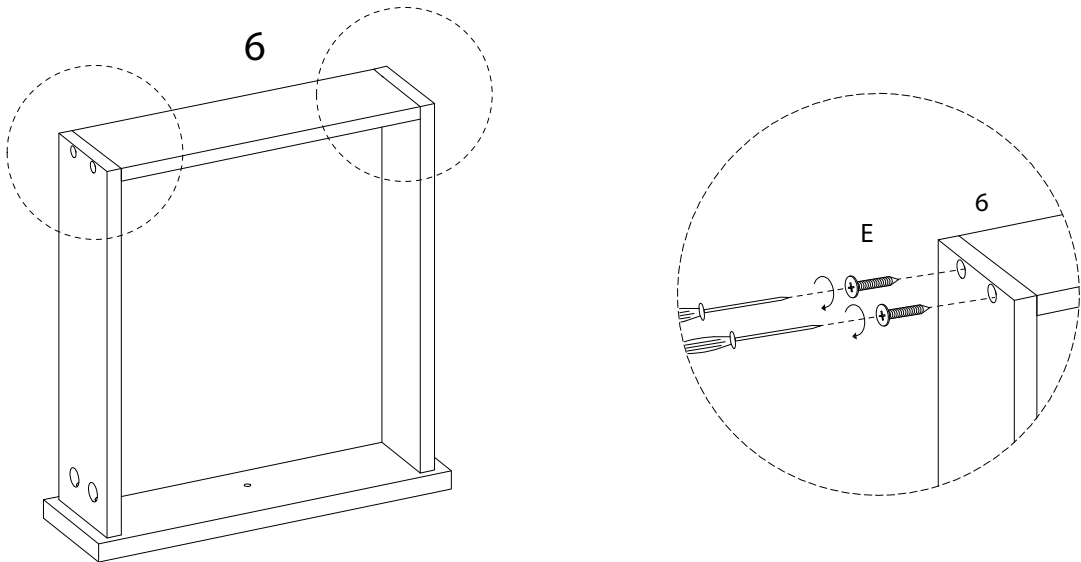
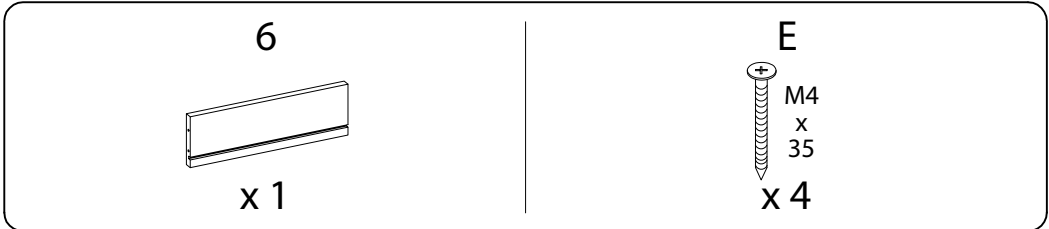
6



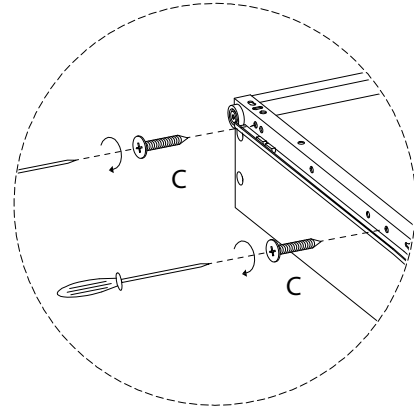
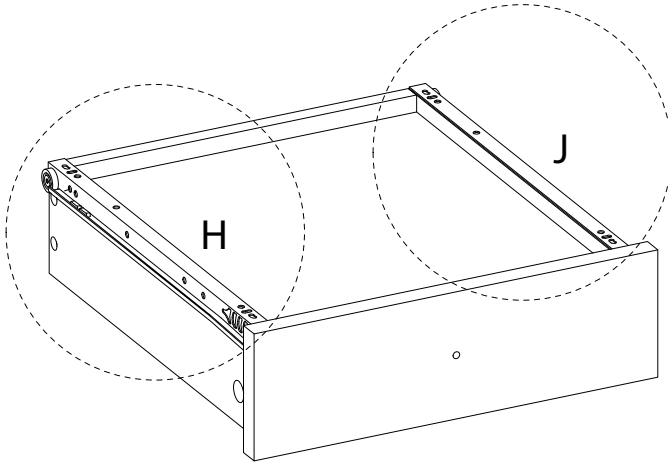
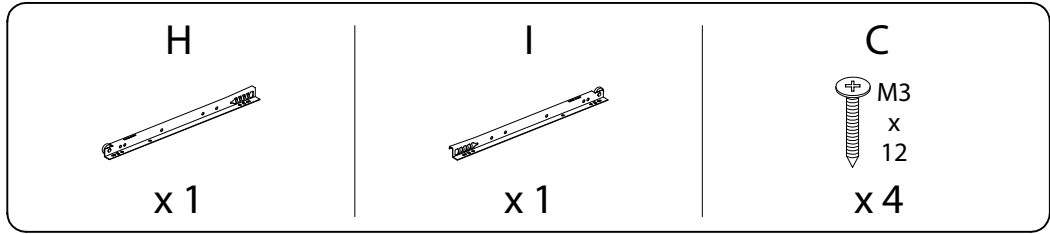
7



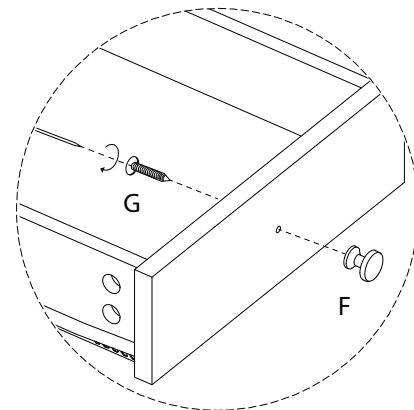
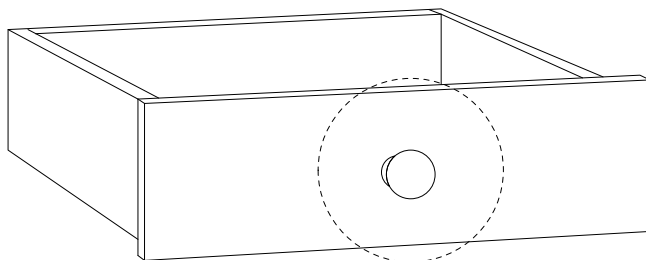
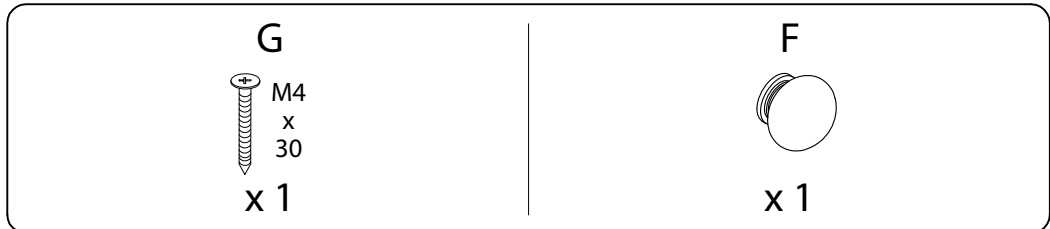
8



9



10



11

