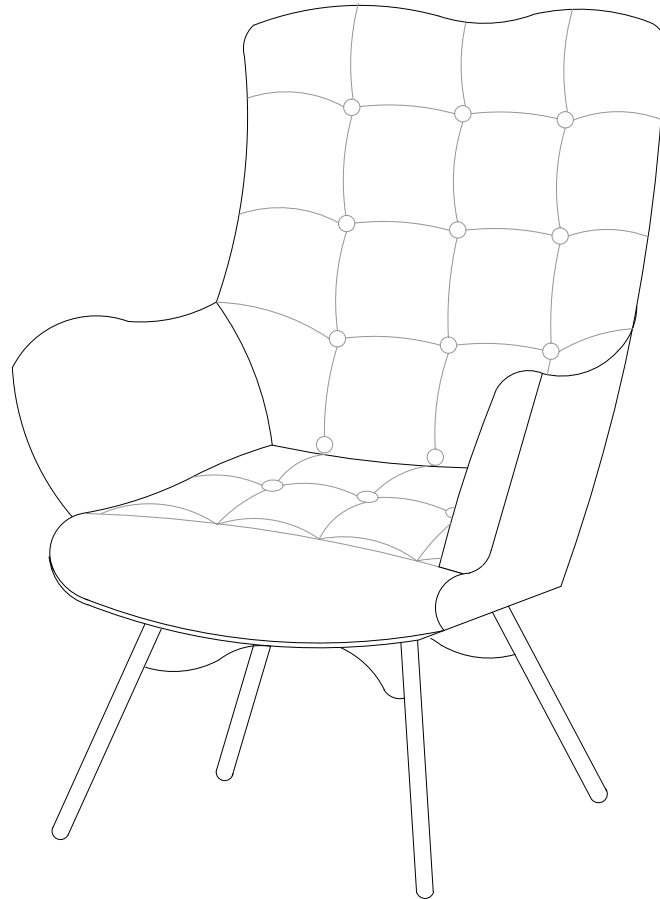


B

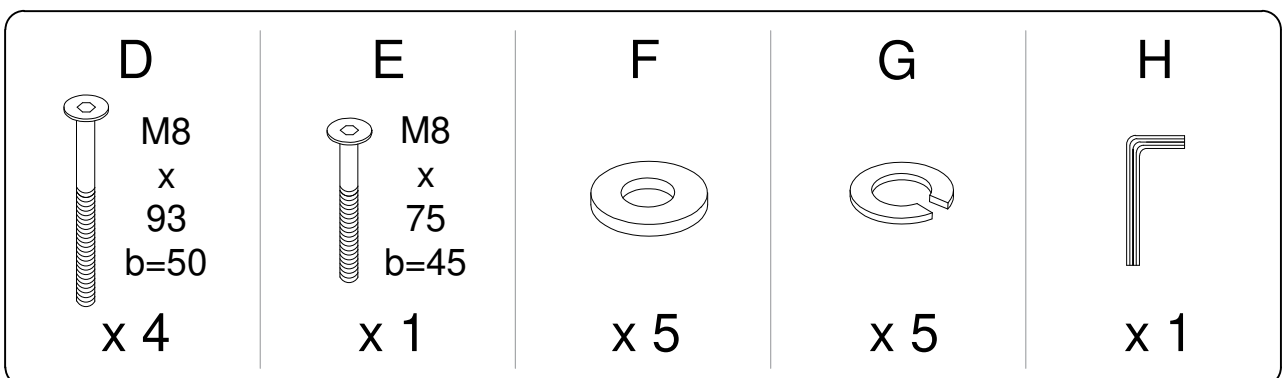
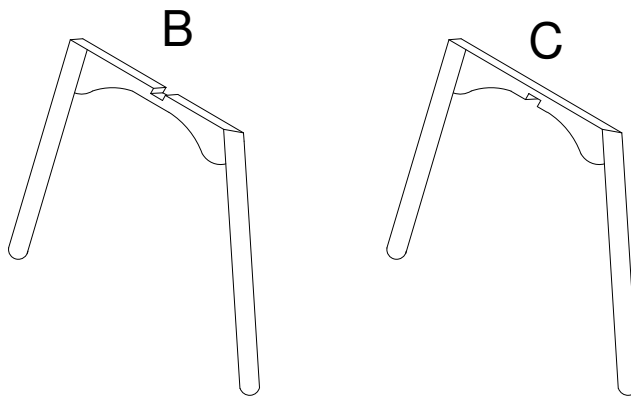
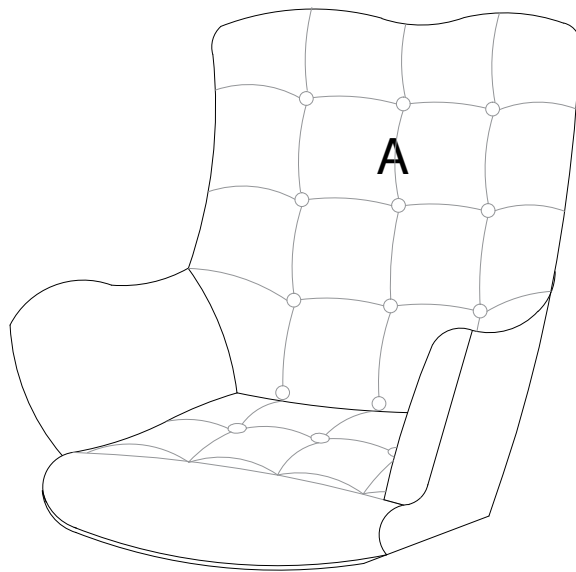
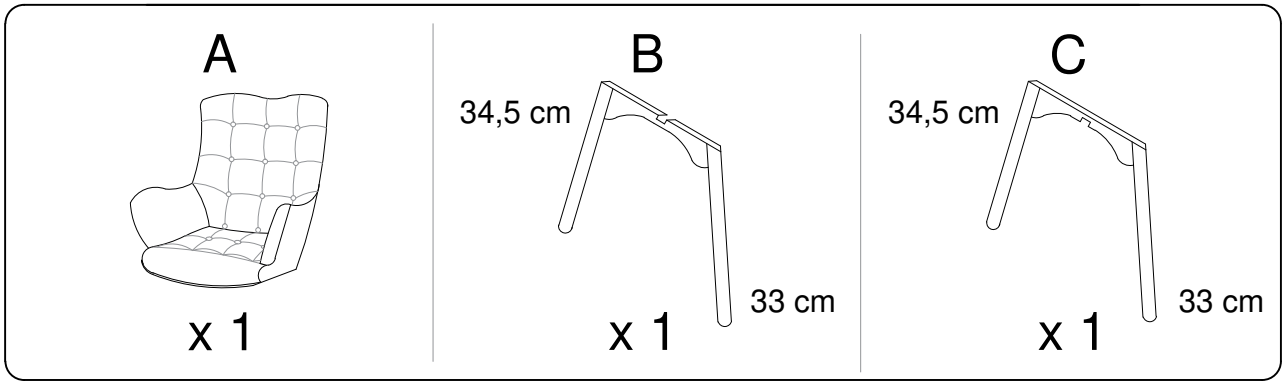
A

A

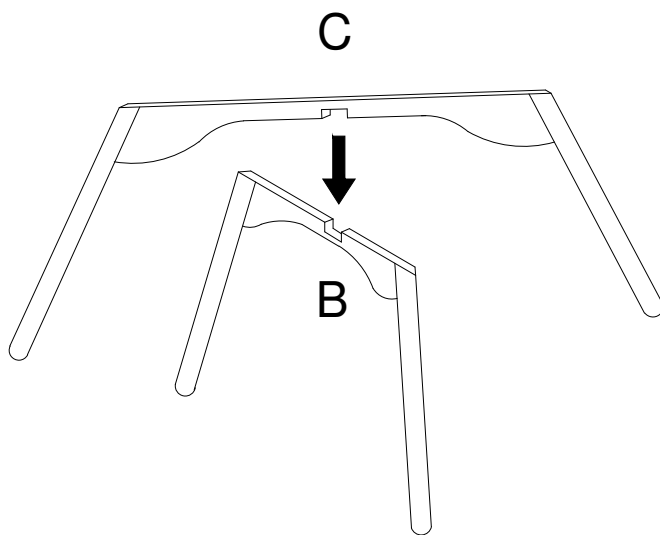
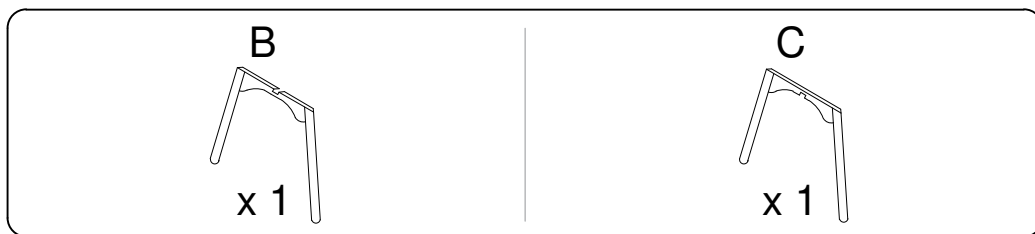


Assembly instructions for step 2/8:

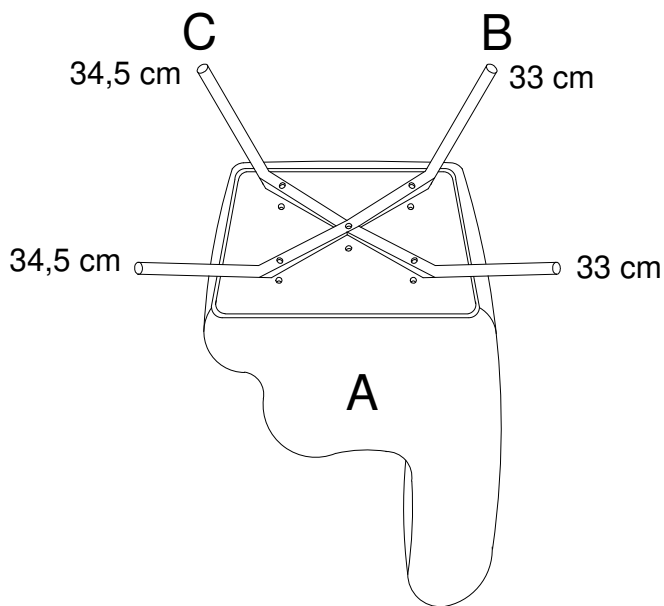
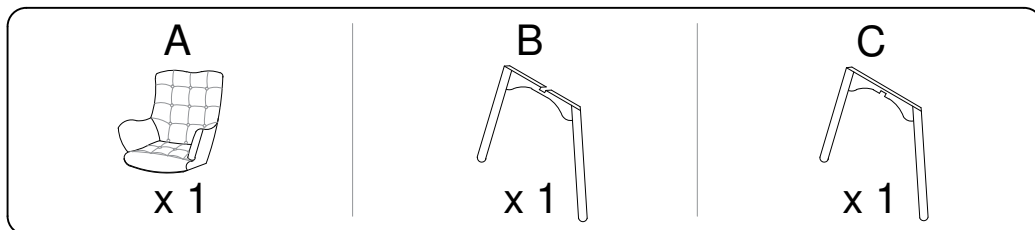
- Warning:** Do not use a power drill. Use an L-shaped Allen key (shown in a circle) to tighten the screws.
- Warning:** Do not use a power saw. Use a hand saw (shown in a circle) to cut the foam padding (shown in a circle).
- Time:** 15 minutes (indicated by a clock icon).
- Personnel:** 1 person (indicated by a person icon).







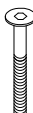


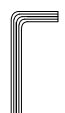
1

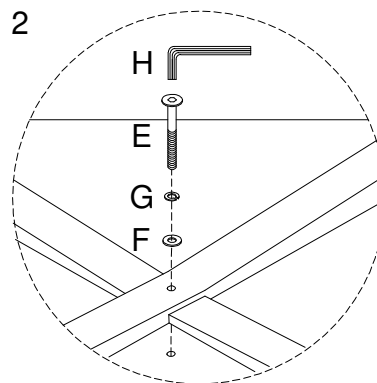
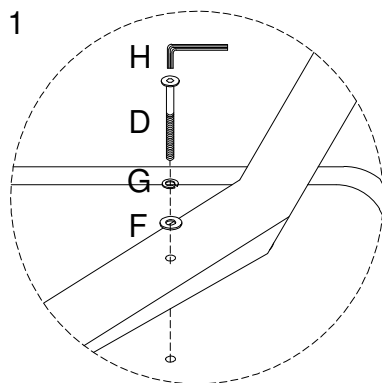
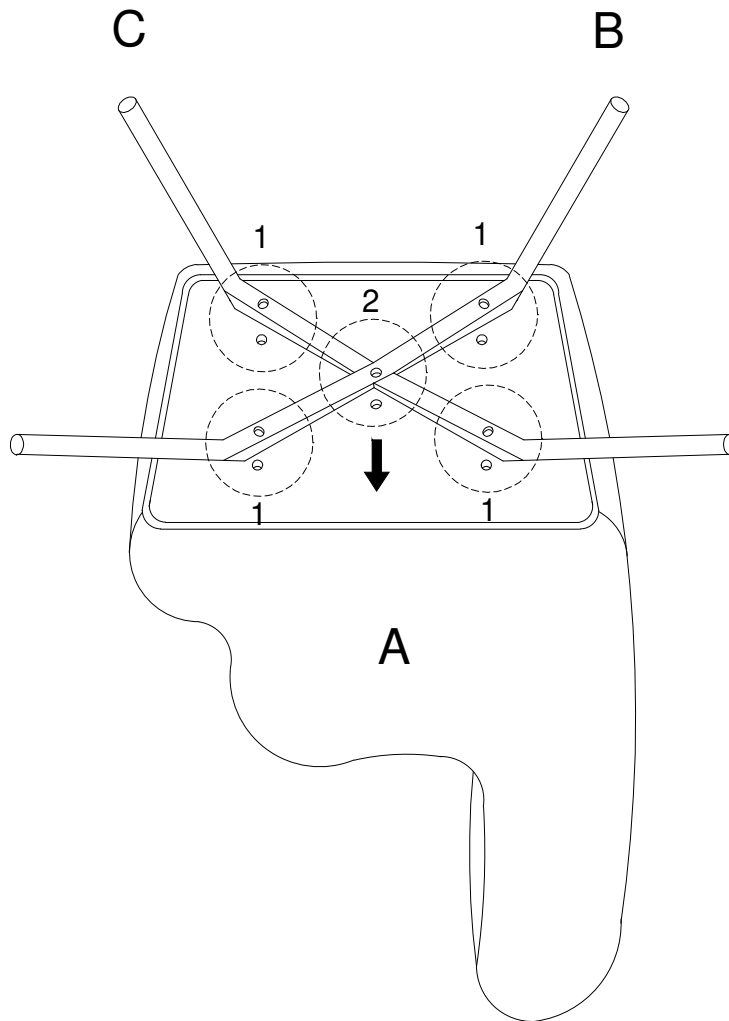


2

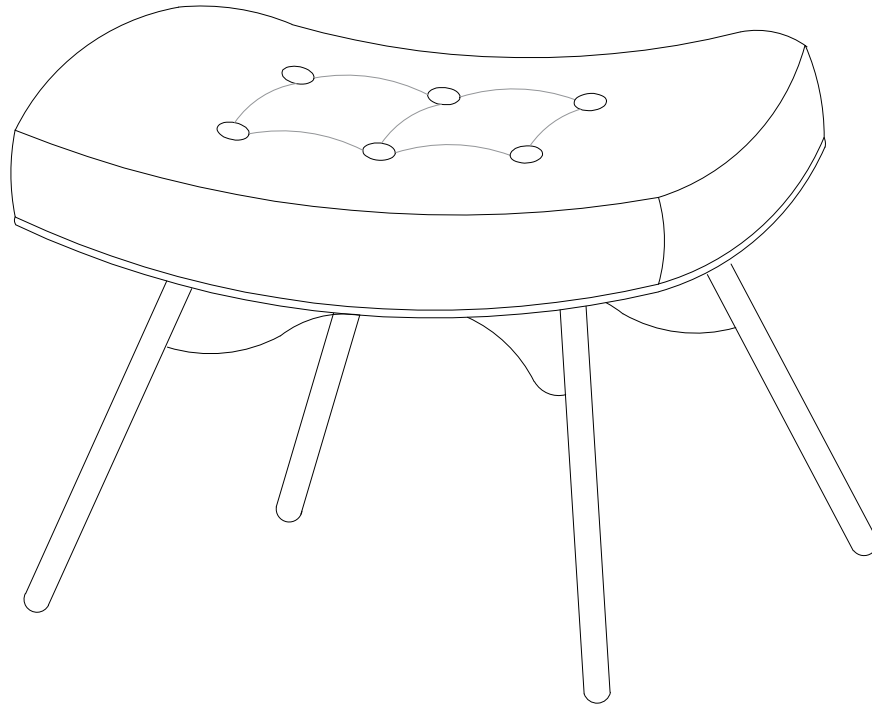


3

<p>A</p>  <p>x 1</p>	<p>B</p>  <p>x 1</p>	<p>C</p>  <p>x 1</p>	<p>D</p>  <p>M8 x 93 b=50</p> <p>x 4</p>
<p>E</p>  <p>M8 x 75 b=45</p> <p>x 1</p>	<p>F</p>  <p>x 5</p>	<p>G</p>  <p>x 5</p>	<p>H</p>  <p>x 1</p>



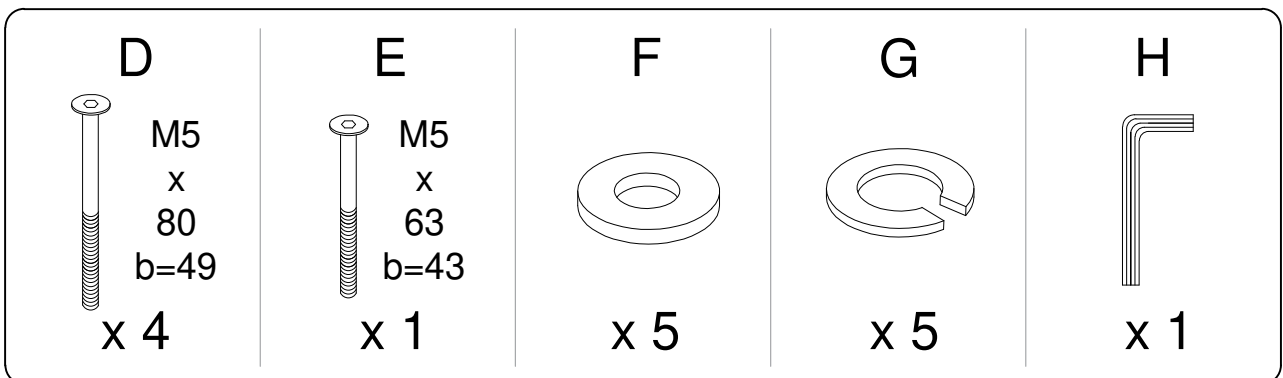
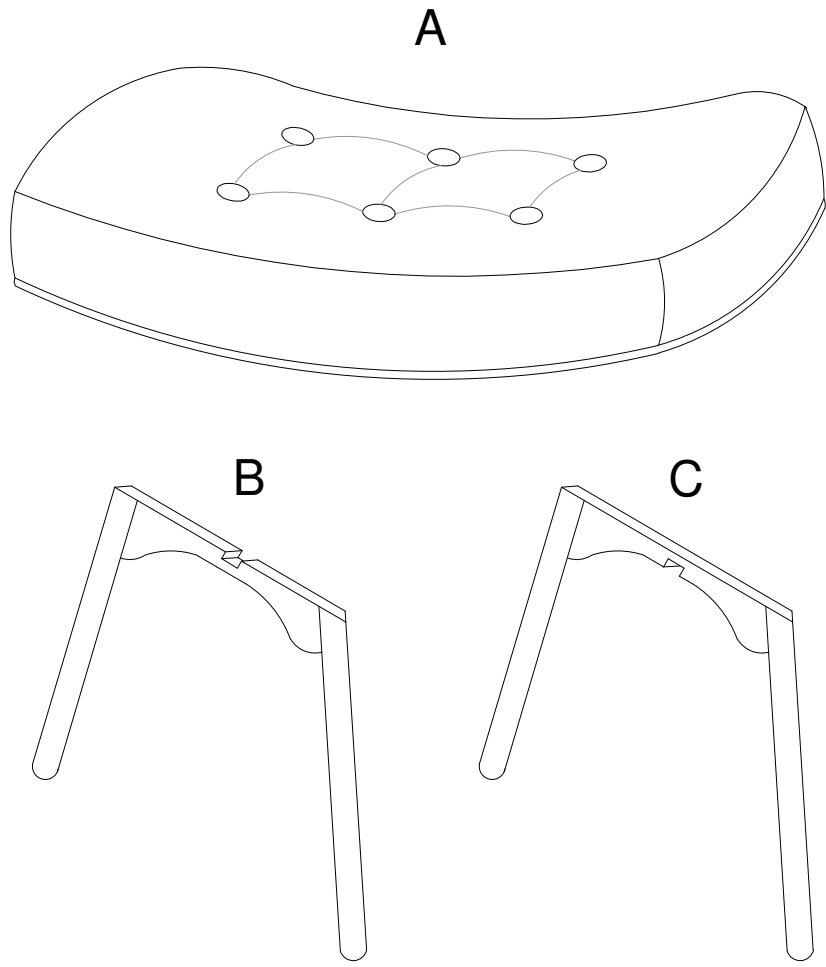
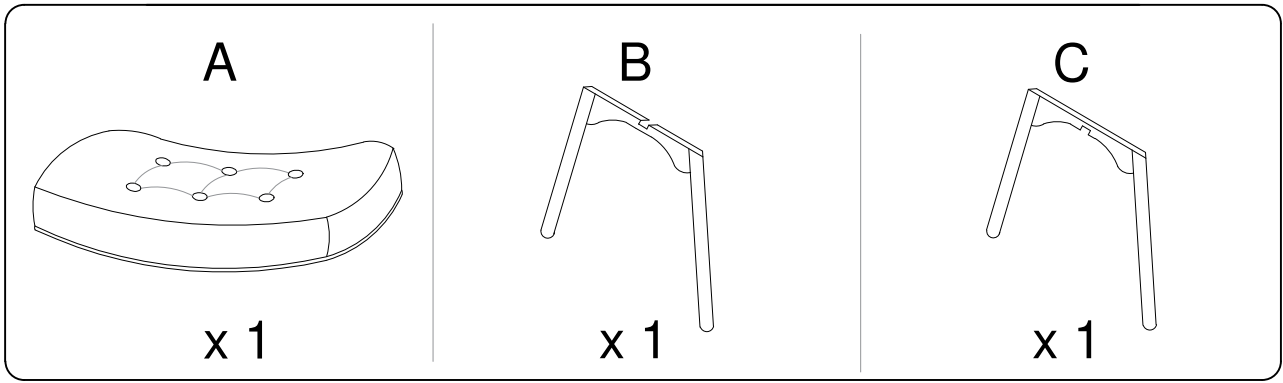
B



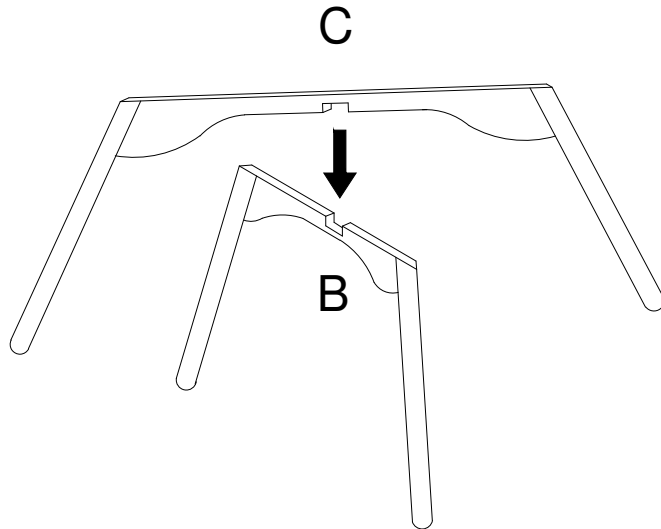
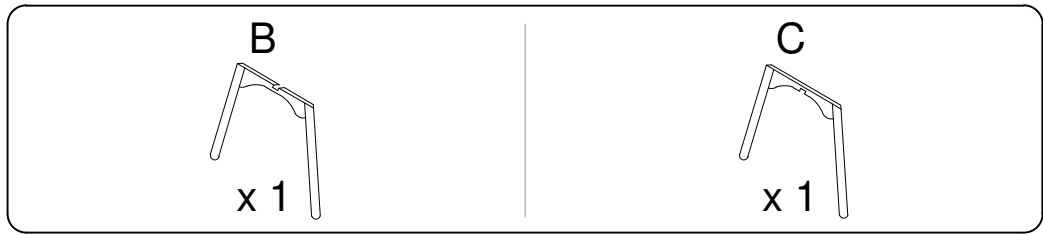
An icon showing an L-shaped metal bracket inside a circle. To its right is a power drill with a diagonal line through it, indicating it should not be used.	A warning triangle containing an exclamation mark.	A simple clock face showing the time 15 minutes.
An icon showing a rectangular block on a textured base inside a circle. To its right is a rectangular block with a diagonal line through it, indicating it should not be used.	A warning triangle containing an exclamation mark.	A simple icon of a person standing.

15'

1



1



2

