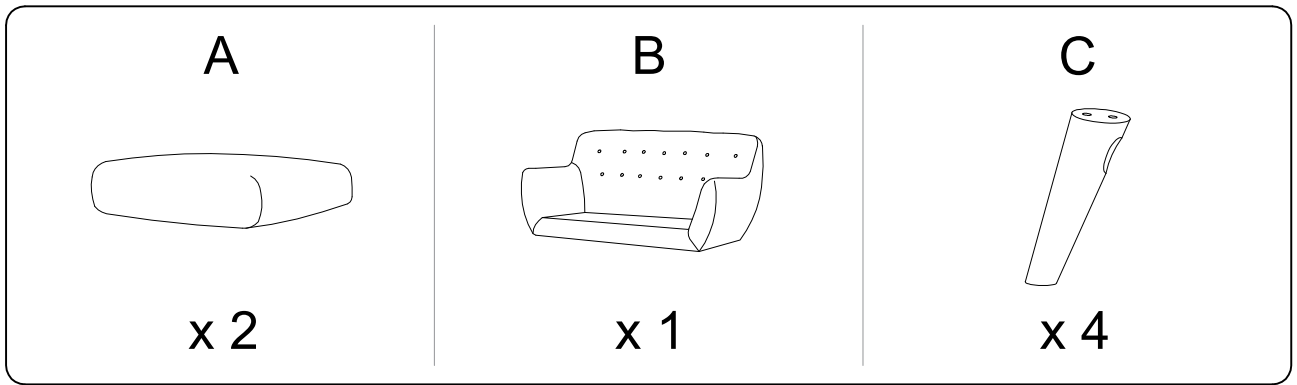
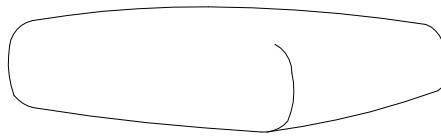


Assembly instructions for the sofa:

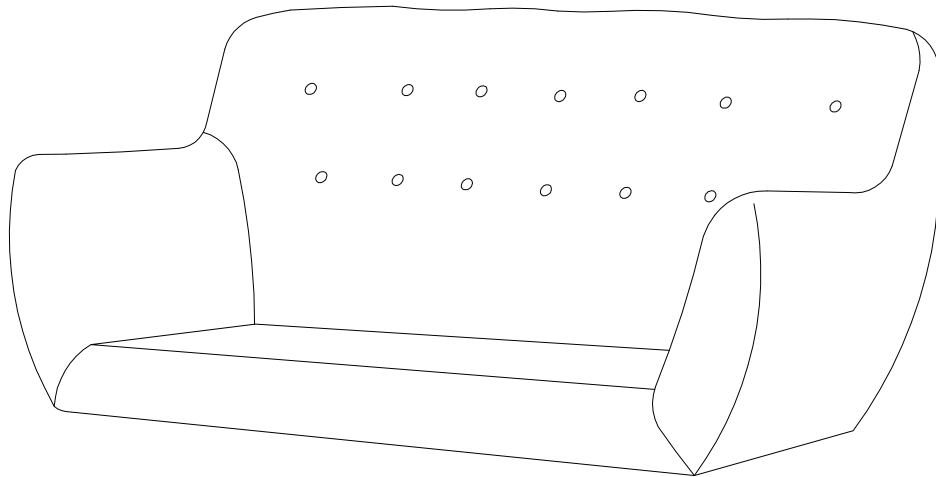
- Warning:** Do not use a power drill. Use an Allen key (shown in a circle) to tighten the screws.
- Warning:** Do not place the sofa on a soft surface like a rug. Place it on a hard, flat surface (shown in a circle).
- Time:** 15 minutes (indicated by a clock icon).
- Personnel:** 2 people (indicated by a person icon).



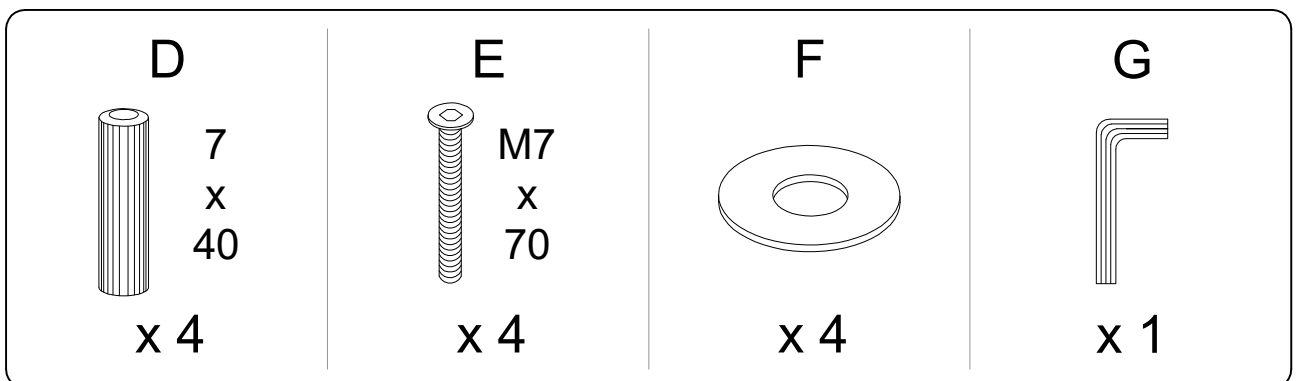
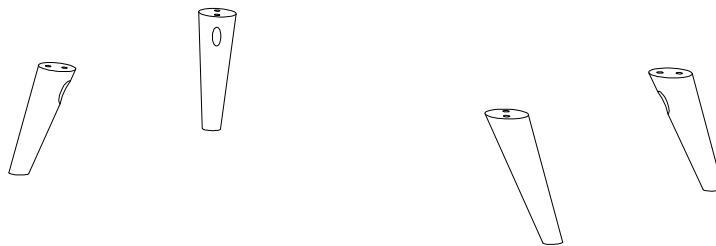
A x 2



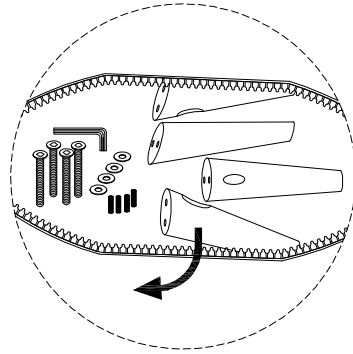
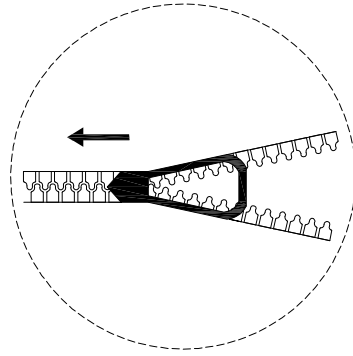
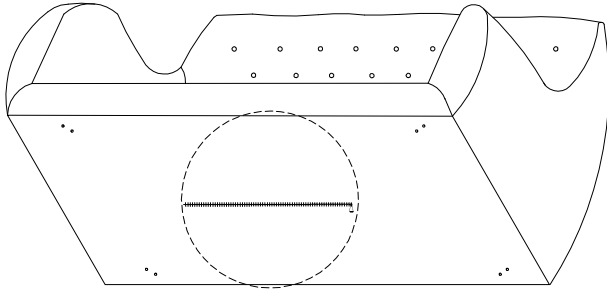
B



C x 4



!



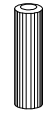
1

C



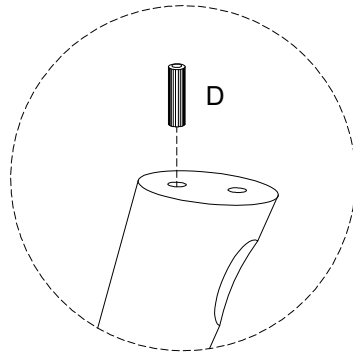
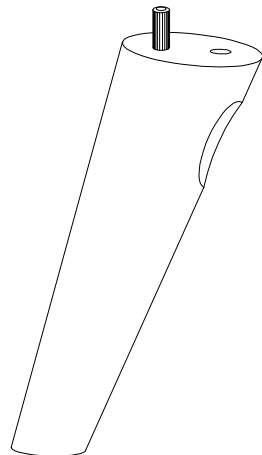
x 4

D


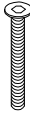
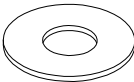
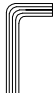


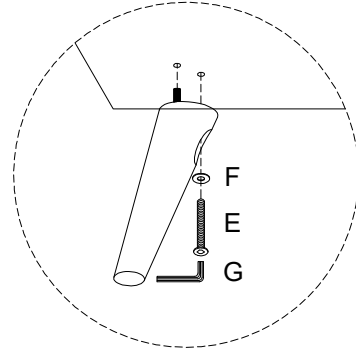
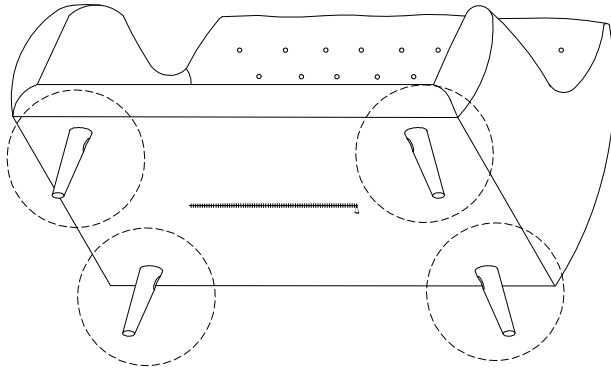
7
x
40

x 4




2

<p>B</p>  <p>x 1</p>	<p>E</p>  <p>M7 x 70</p> <p>x 4</p>	<p>F</p>  <p>x 4</p>	<p>G</p>  <p>x 1</p>
--	---	---	--



3

A



x 2

