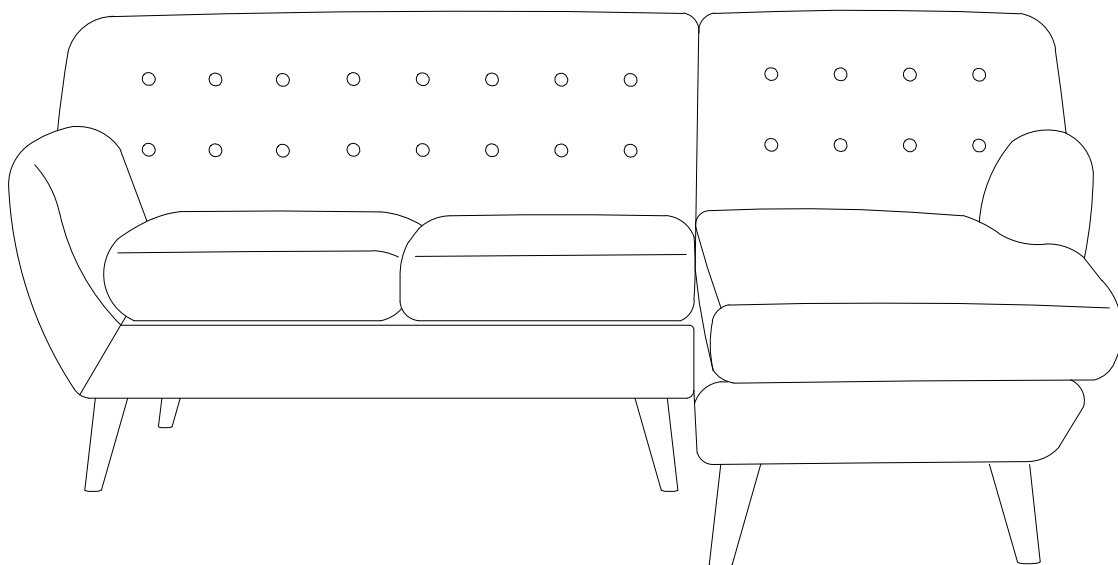
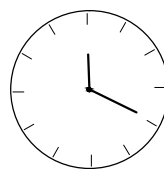
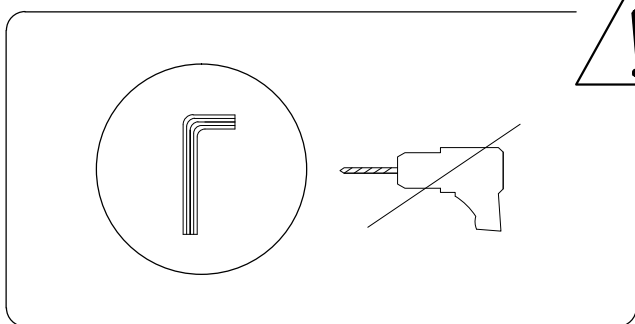
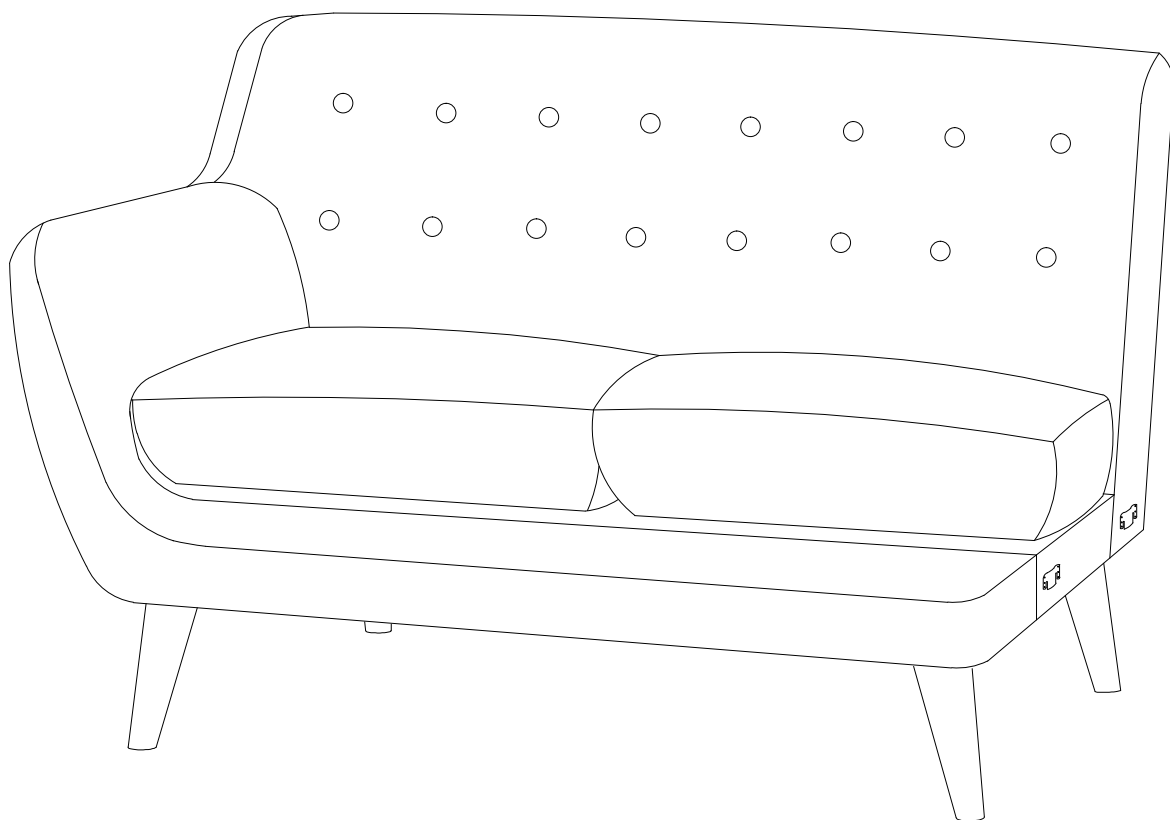


A

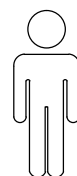
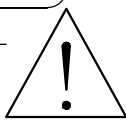
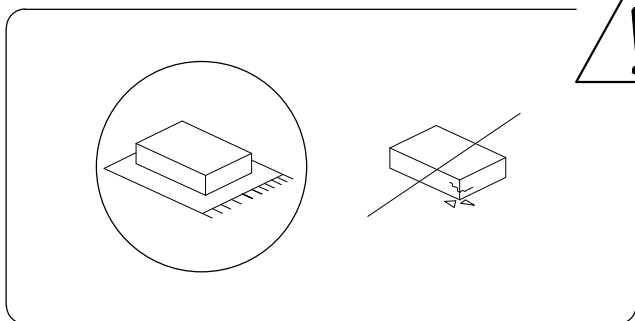
B



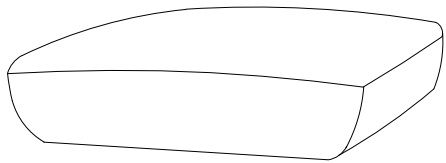
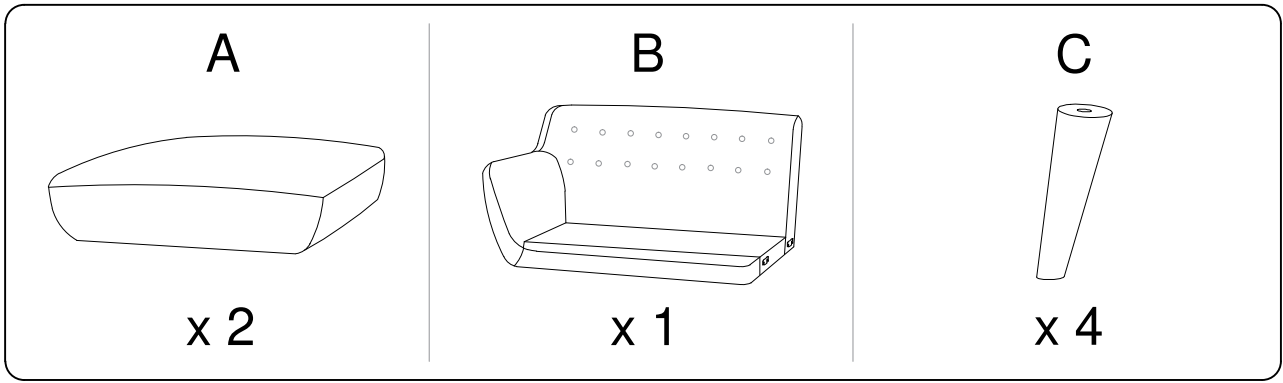
A



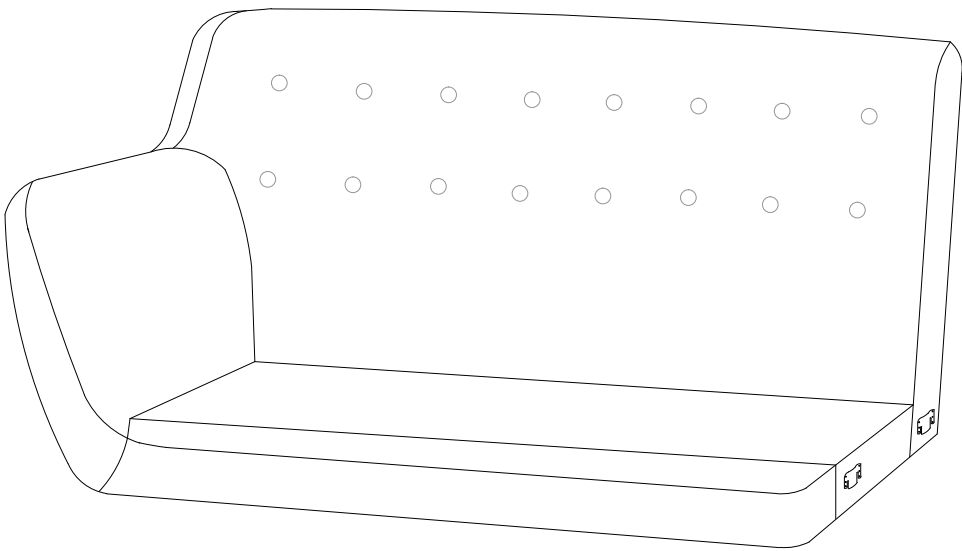
20'



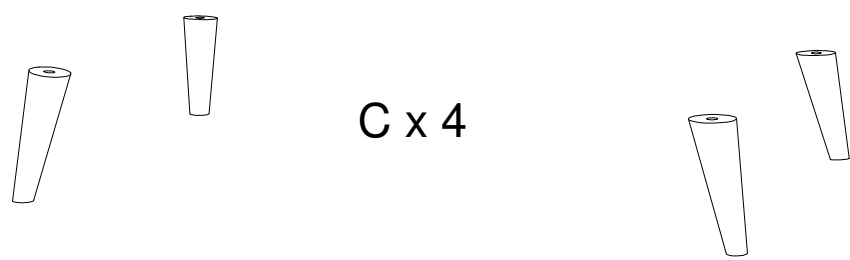
1



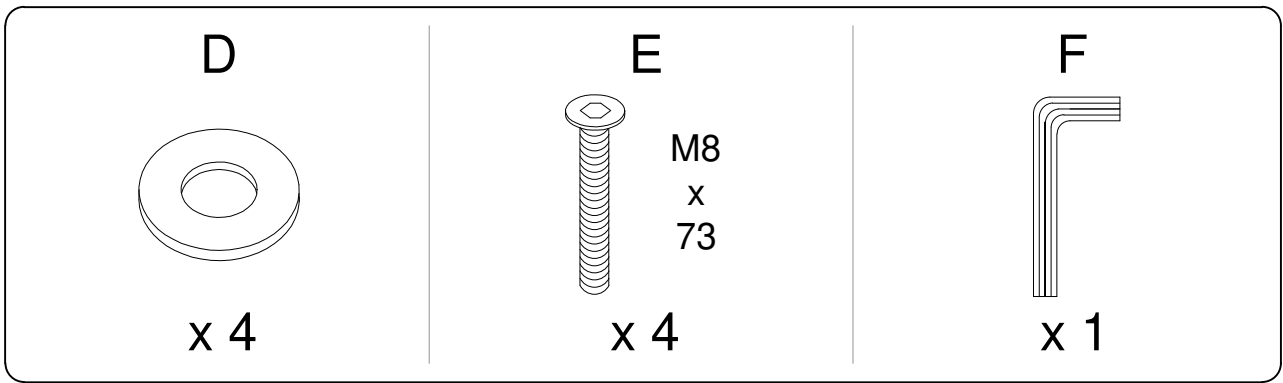
A x 2



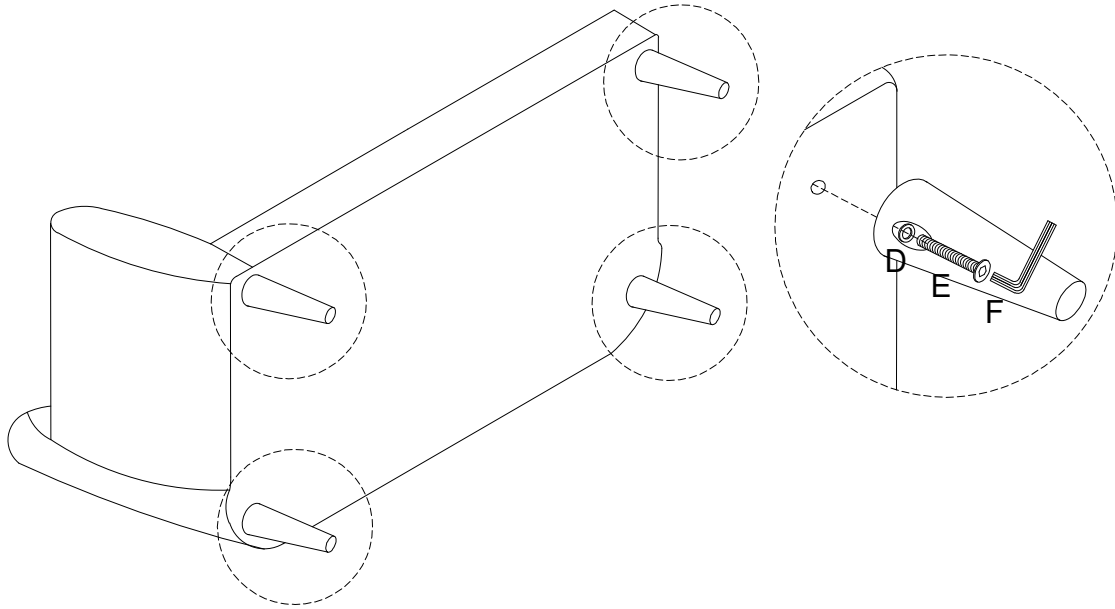
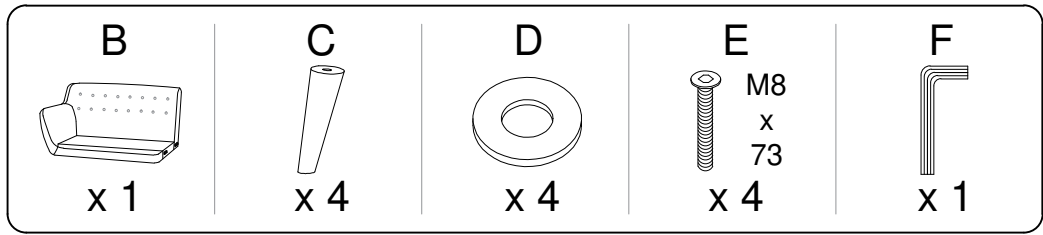
B



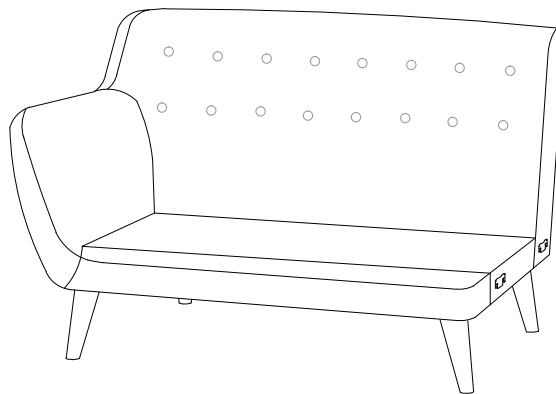
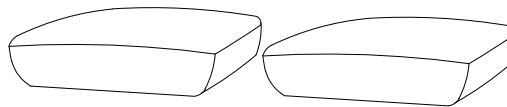
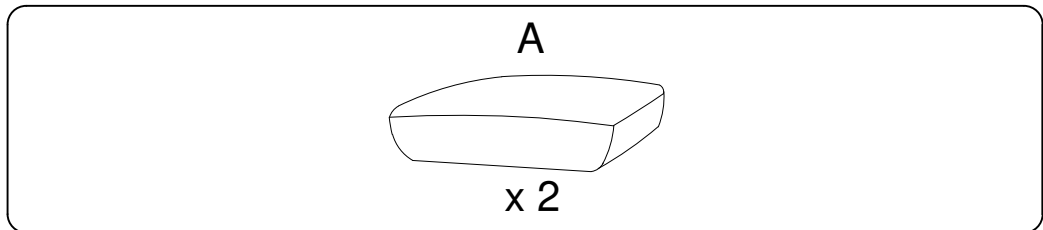
C x 4



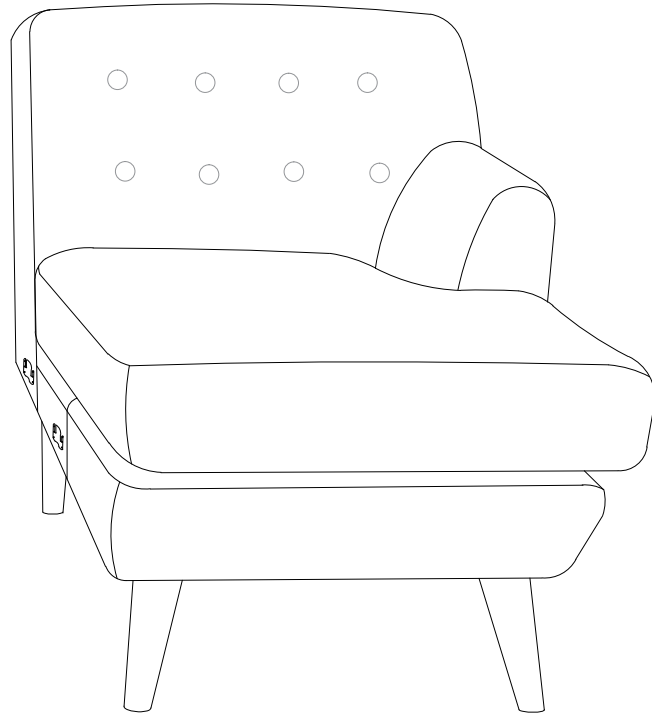
1



2

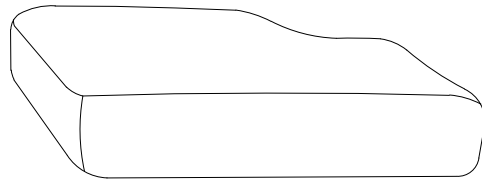
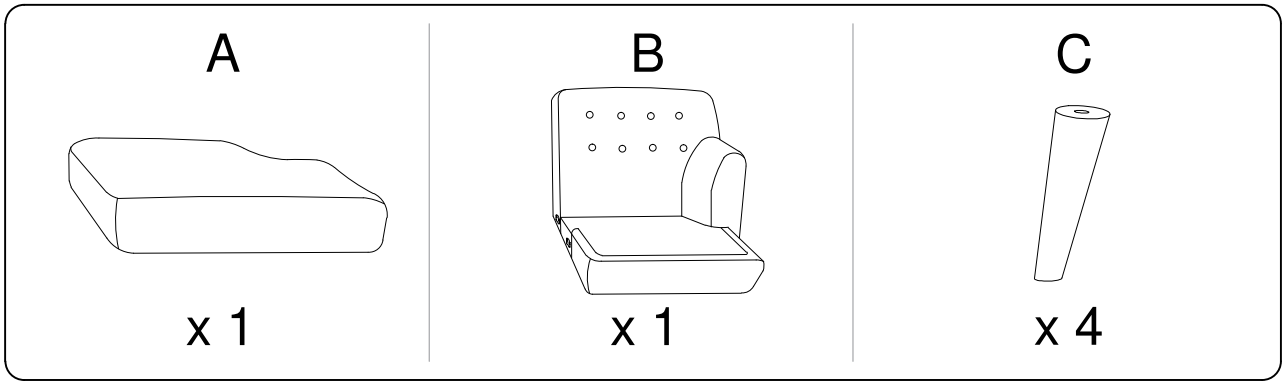


B

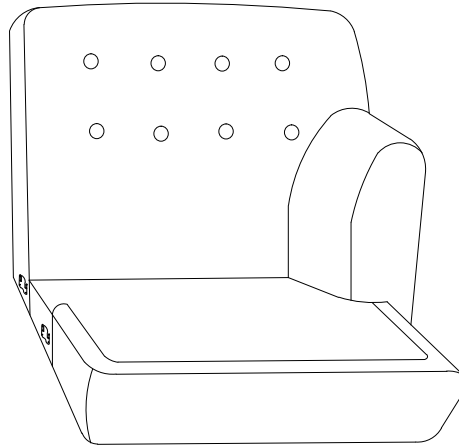


Assembly instructions for step B:

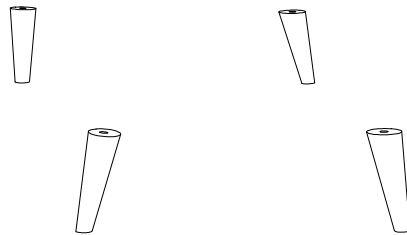
- Warning:** Do not use a power drill. Use the provided L-shaped corner bracket.
- Warning:** Do not use a screwdriver. Use the provided foam padding.
- Time:** 20 minutes.
- Personnel:** 1 person.



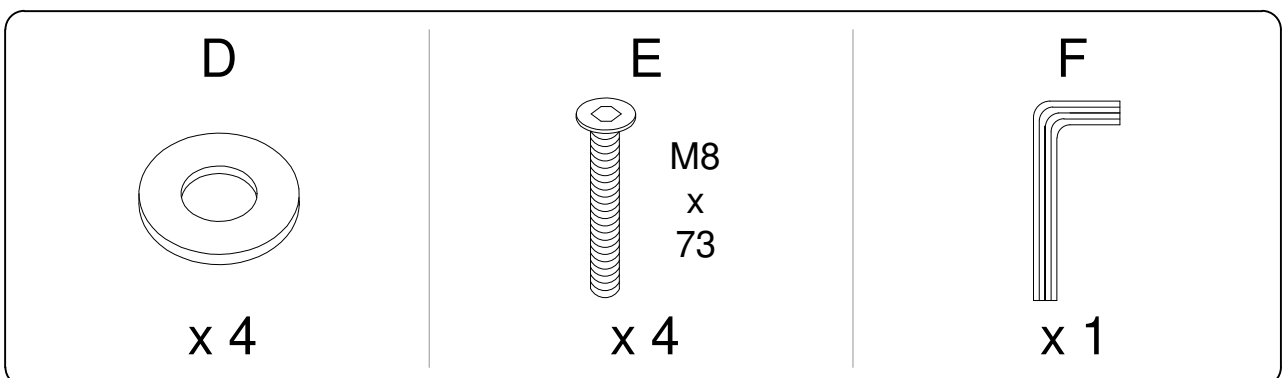
A



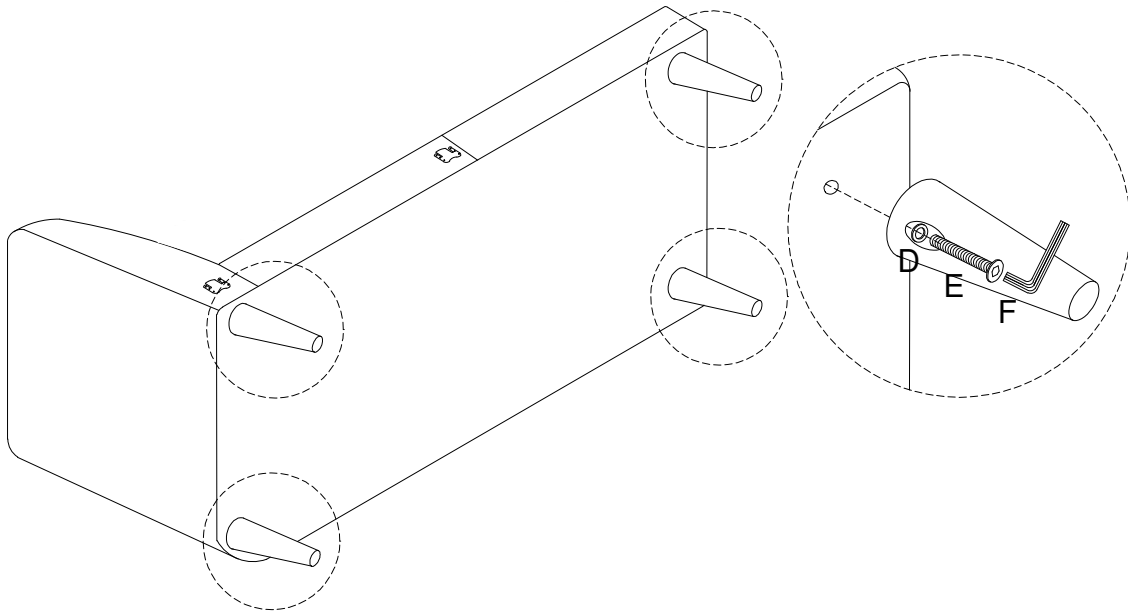
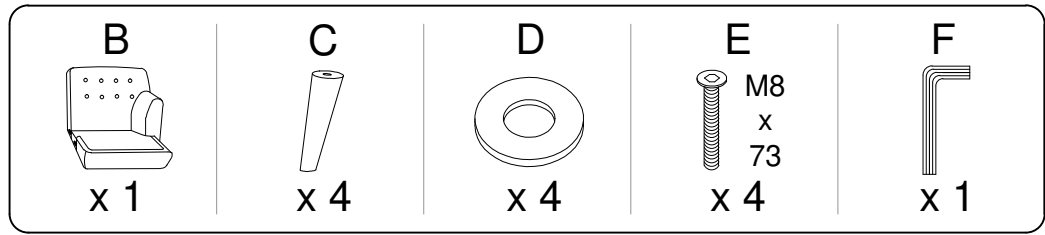
B



C x 4



1



2

