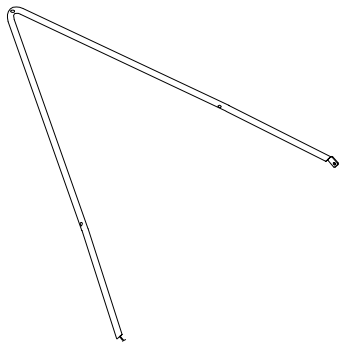
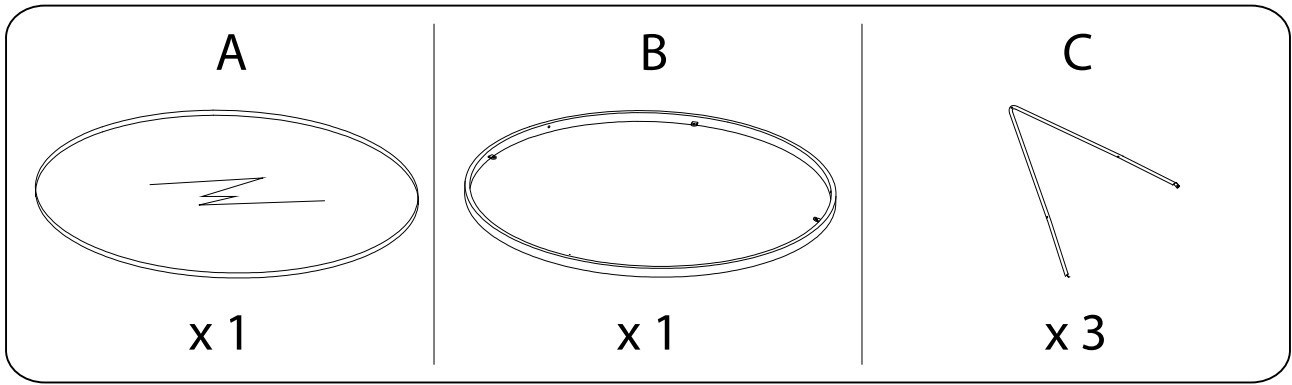


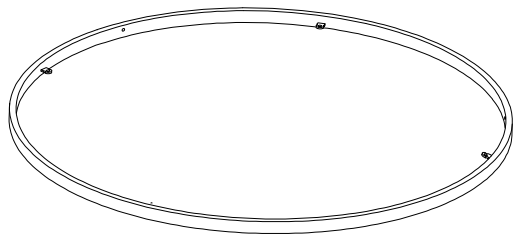
Assembly instructions for step 1/5:

- Top section: Shows a screwdriver and a power drill with a slash through it, indicating that a power drill should not be used. A warning triangle is positioned to the right.
- Bottom section: Shows a block being placed on a textured surface and a block being cut with a slash through it, indicating that the surface should not be cut. A warning triangle is positioned to the right.
- Timing: A clock icon is shown with the text "30'" below it, indicating a 30-minute assembly time.
- Personnel: A person icon is shown with the number "1" below it, indicating that one person is required for assembly.

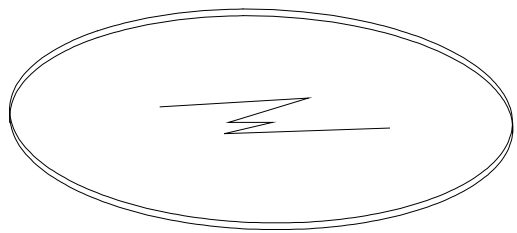
1/5



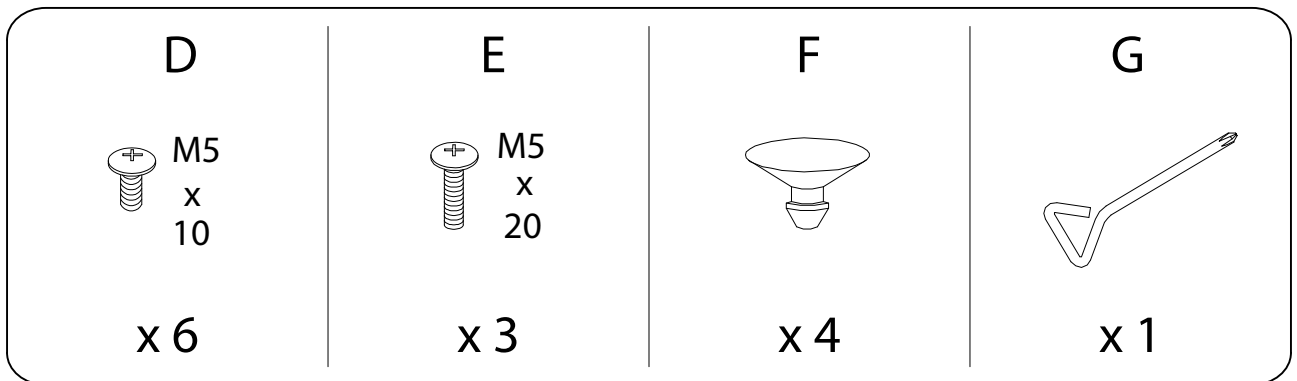
C x3



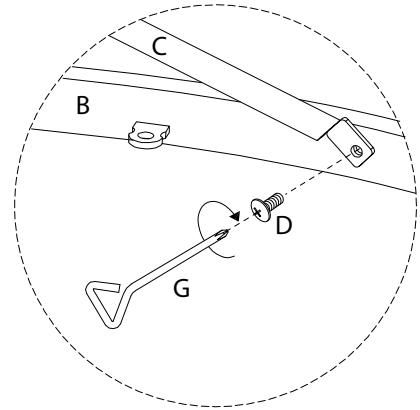
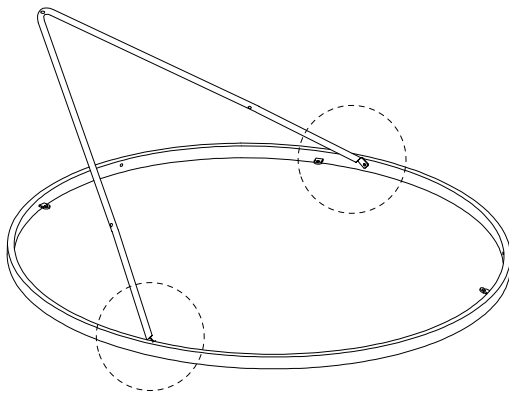
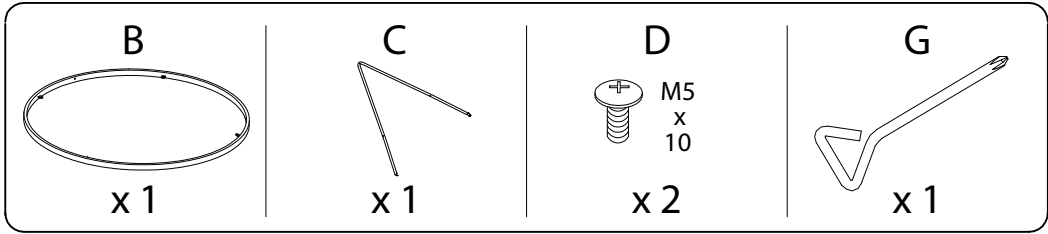
B



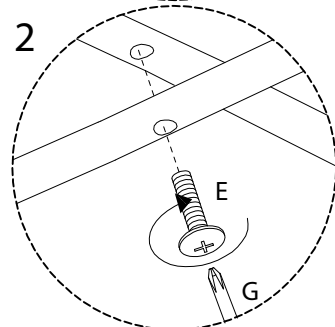
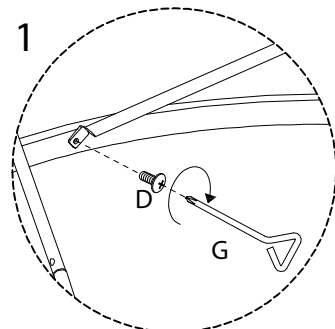
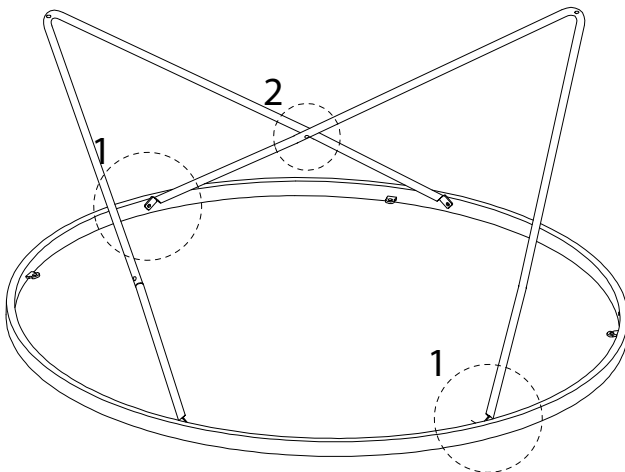
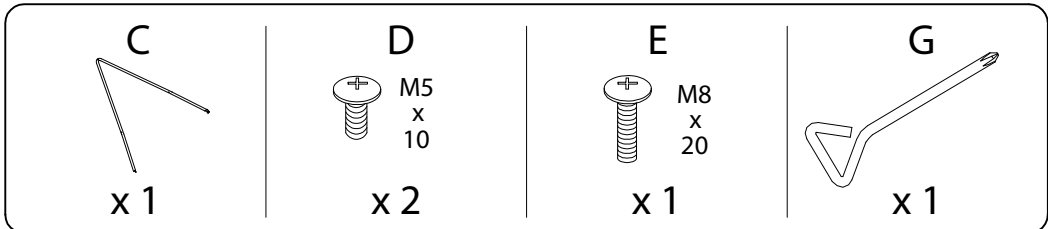
A



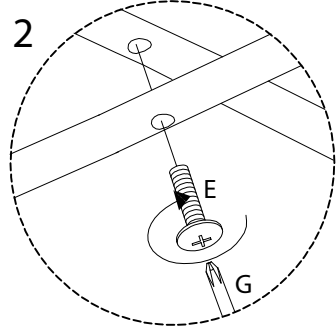
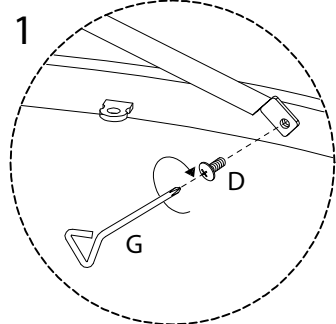
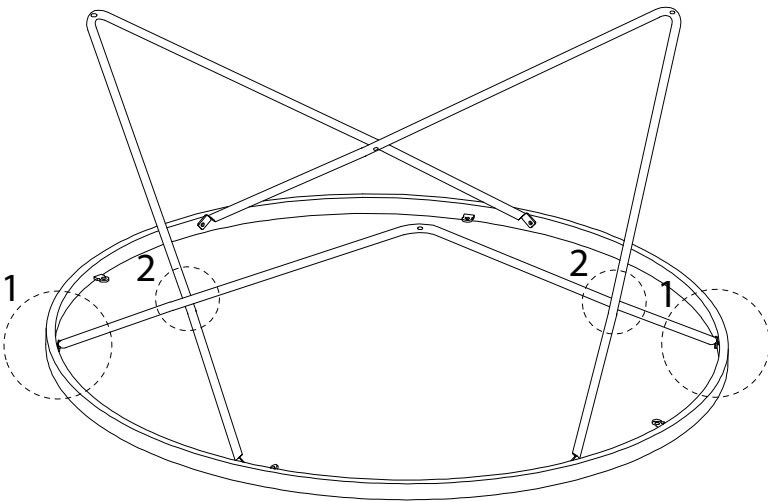
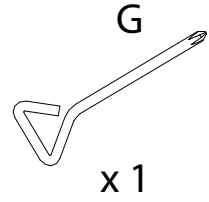
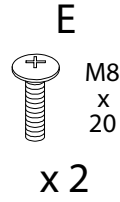
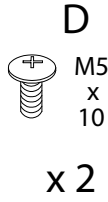
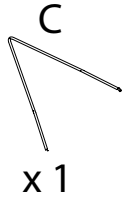
1



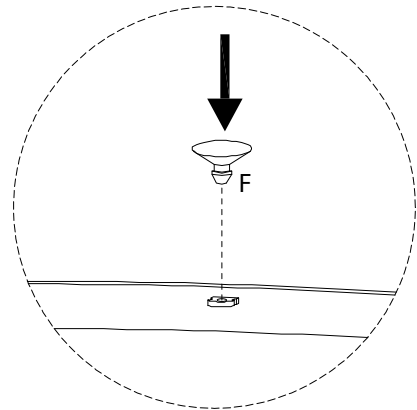
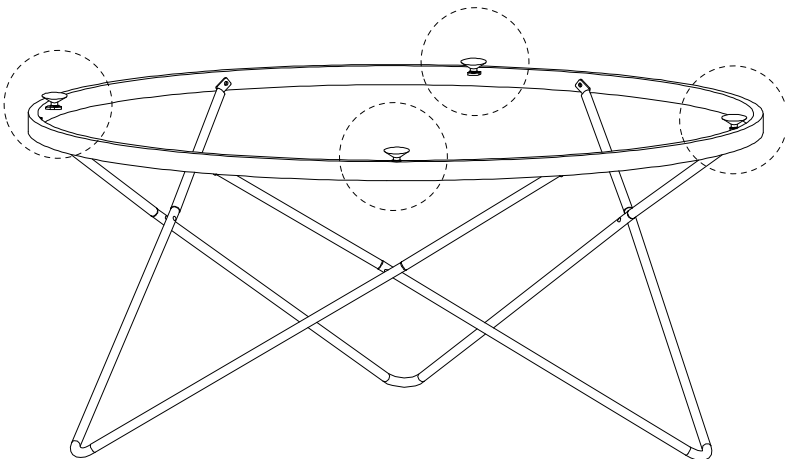
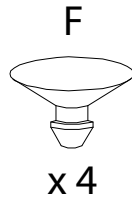
2



3



4



5

