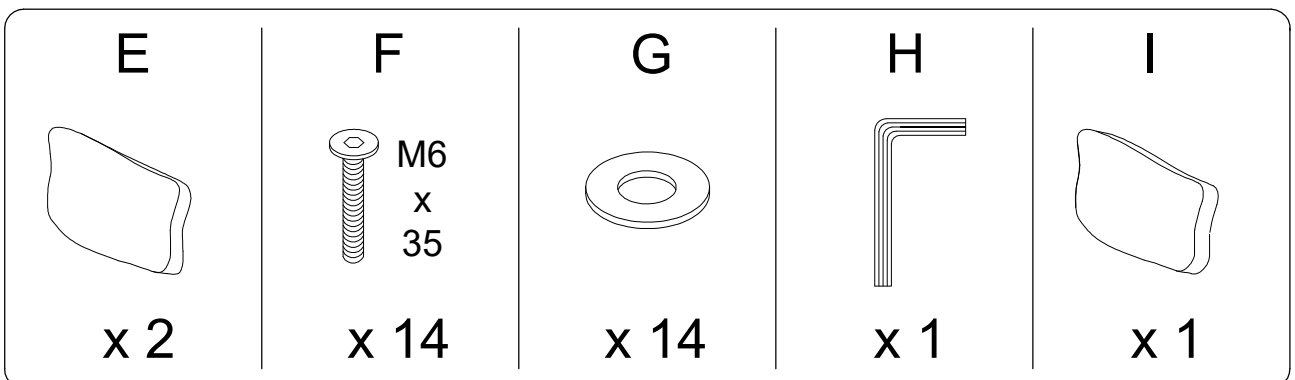
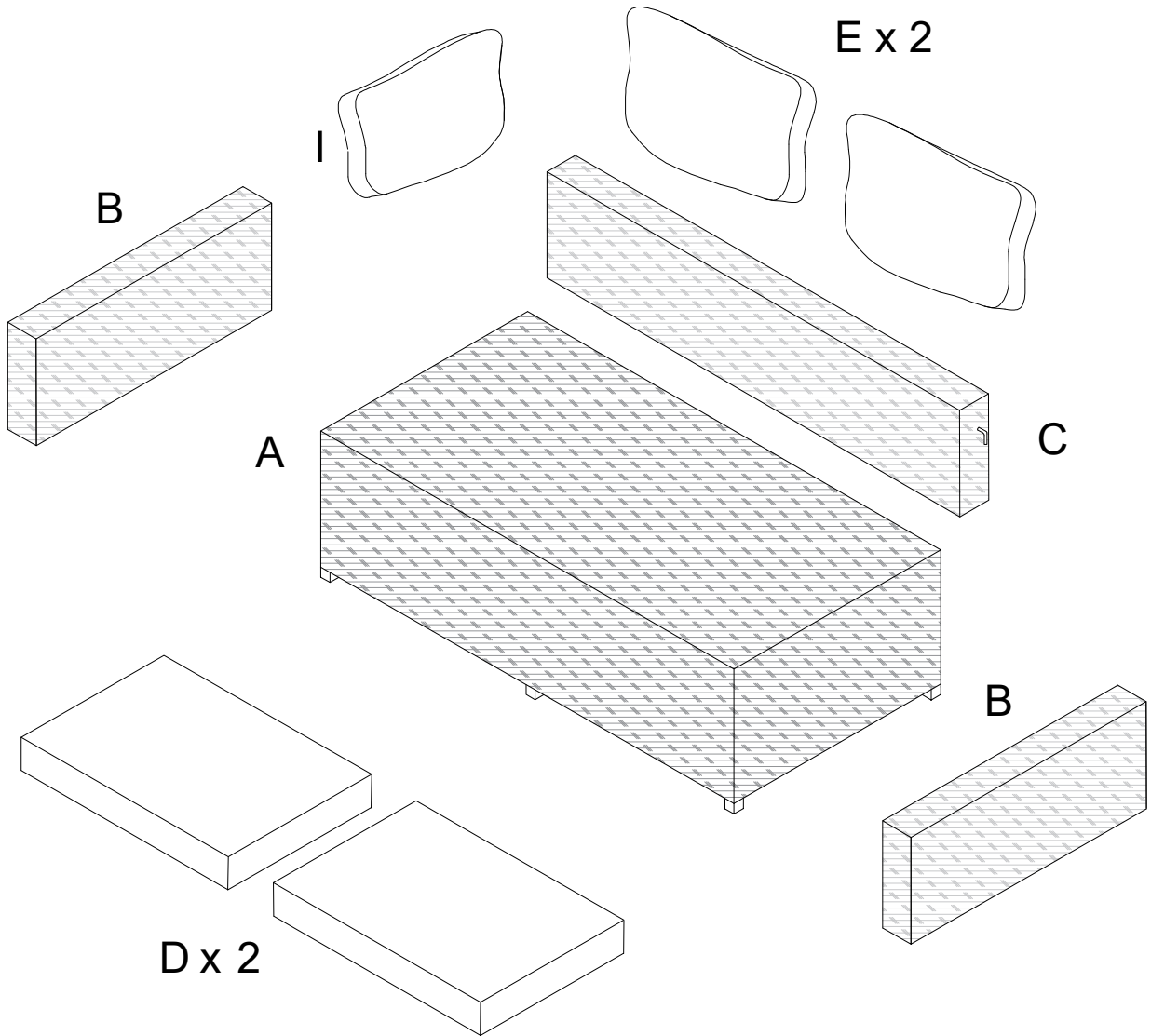
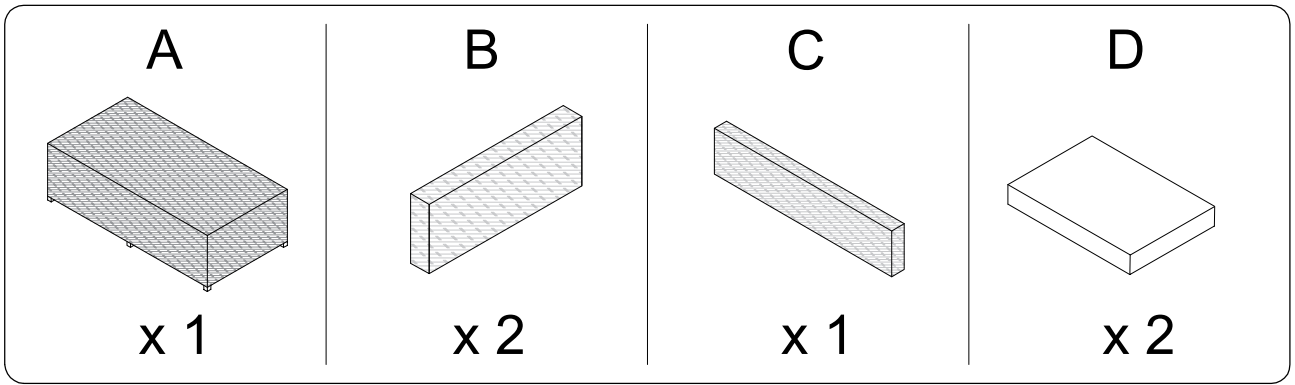


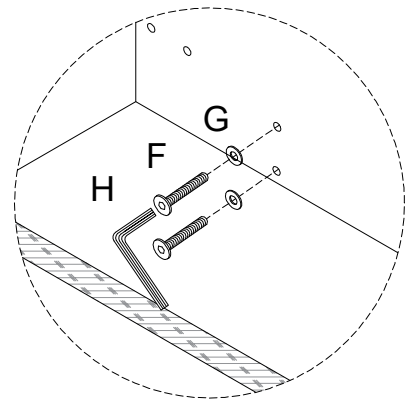
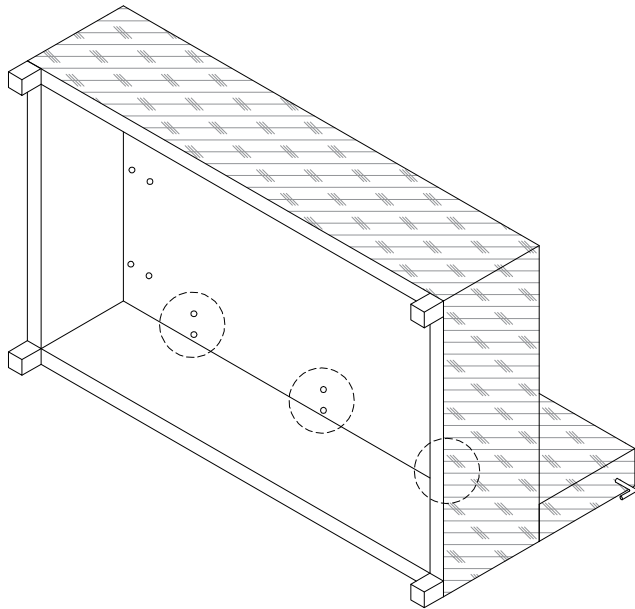
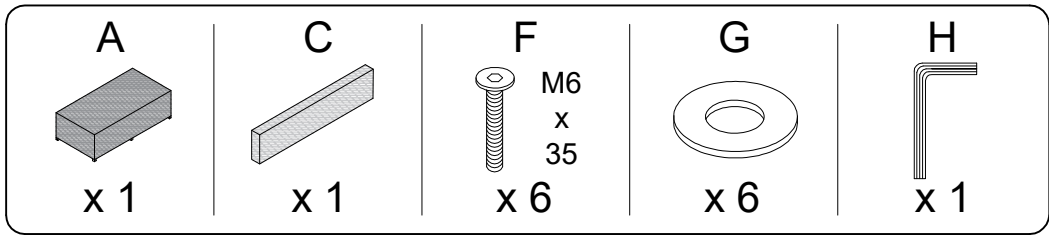
Assembly instructions for step 1/9:

- Warning 1:** A triangle with an exclamation mark. To its left, a circular icon shows an L-shaped corner bracket. To its right, a power drill is shown with a diagonal line through it, indicating it should not be used.
- Warning 2:** A triangle with an exclamation mark. To its left, a circular icon shows a rectangular block being placed on a textured surface. To its right, a diagram shows a block being secured with a screw.
- Time:** A clock icon with the number '40'' below it, indicating a 40-minute assembly time.
- Personnel:** An icon of a person with the number '2' below it, indicating that two people are required for assembly.

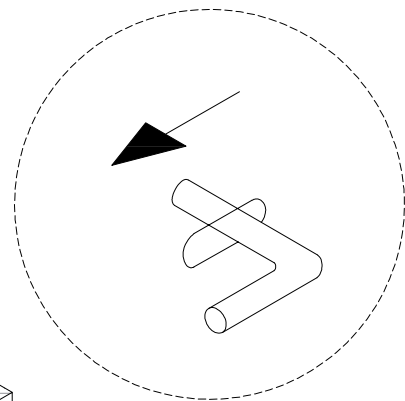
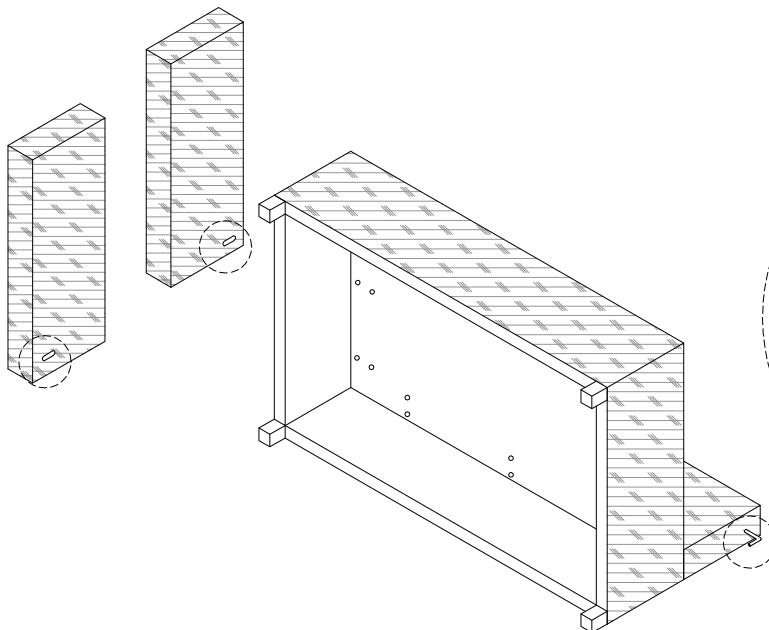
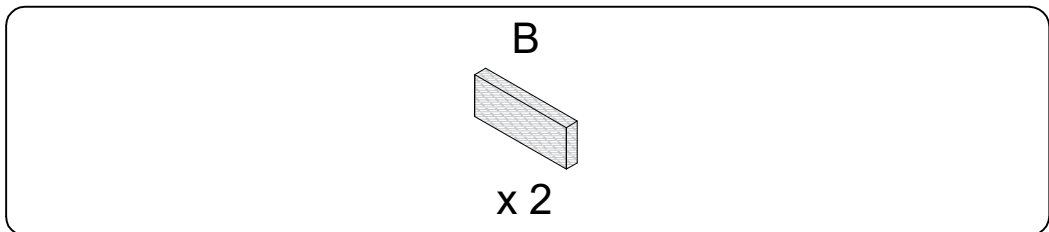
A



1



1

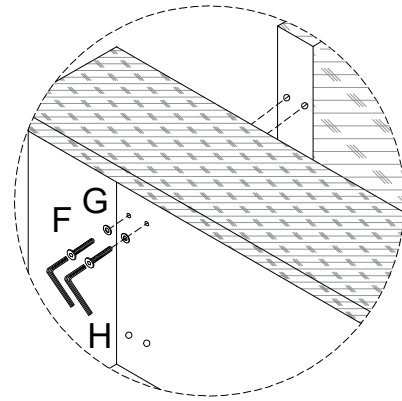
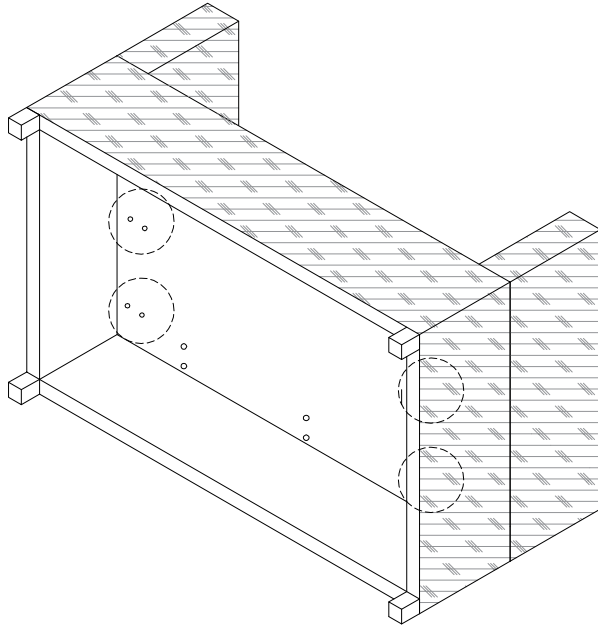


3

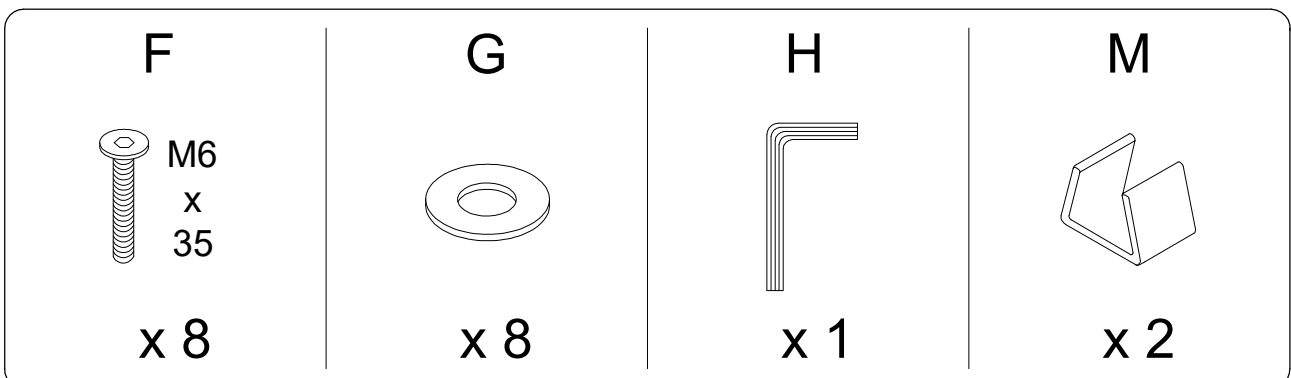
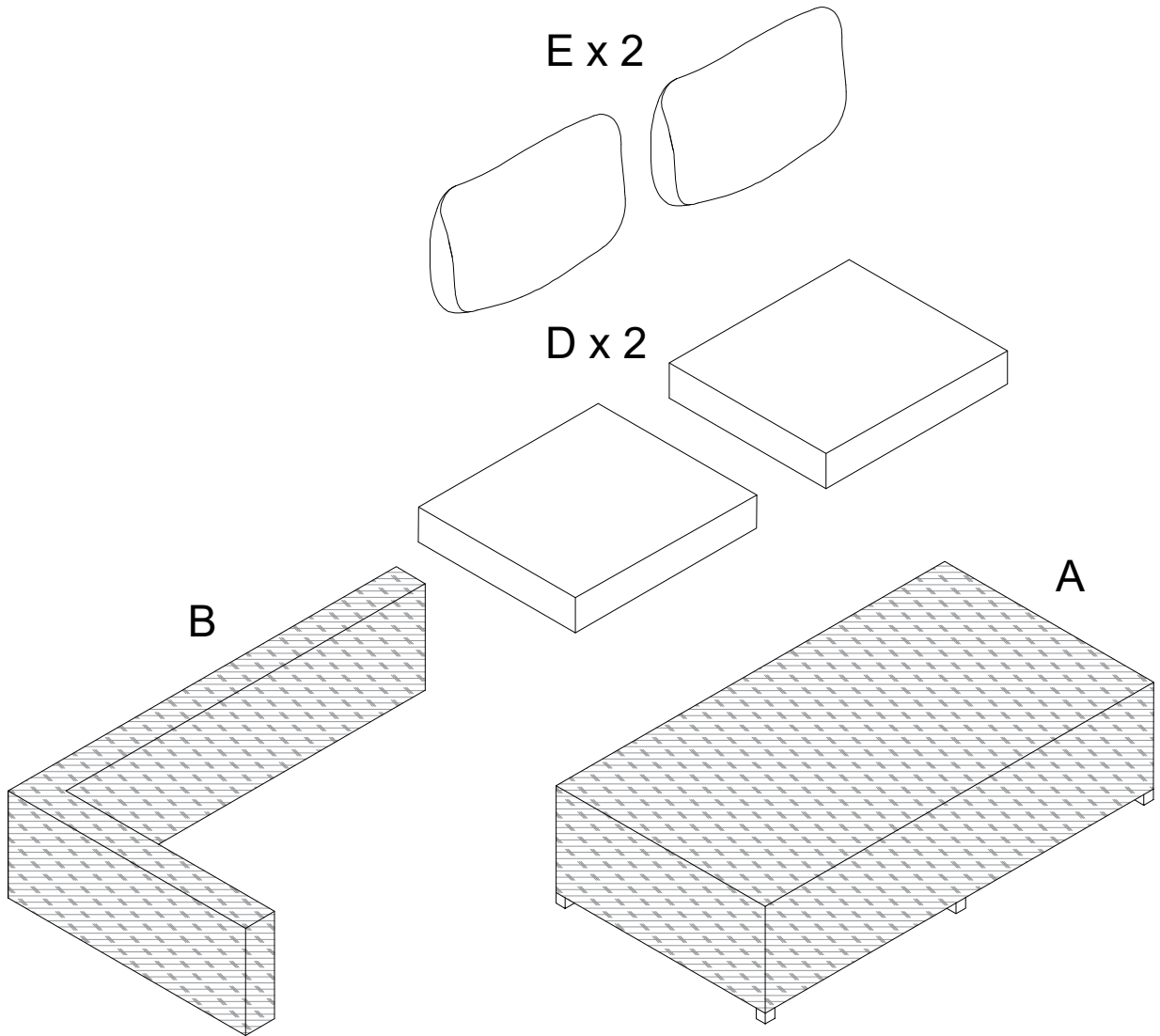
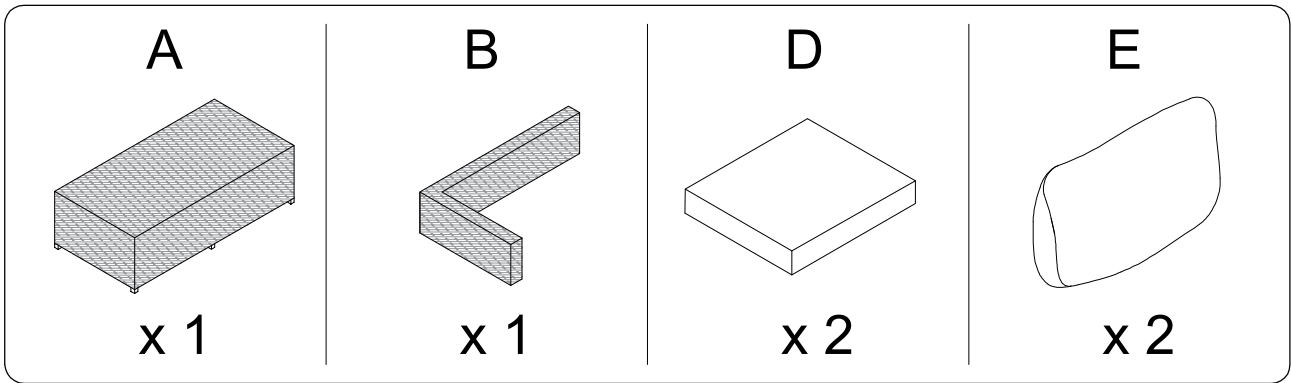
F
M6
x
35
x 8

G
x 8

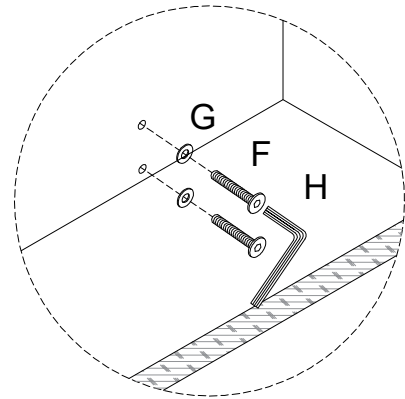
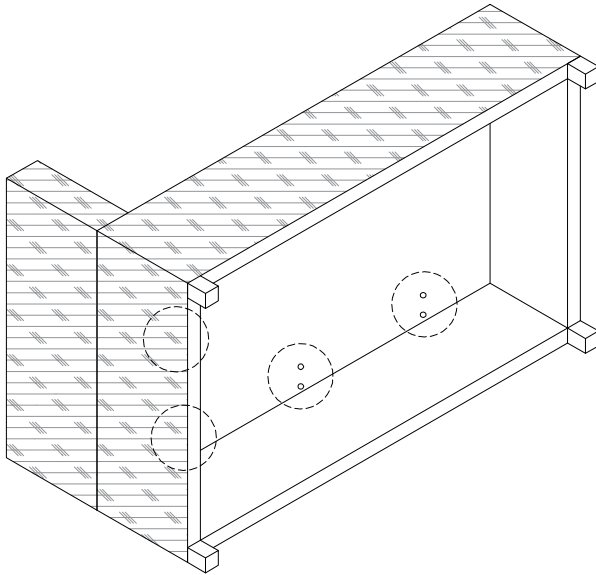
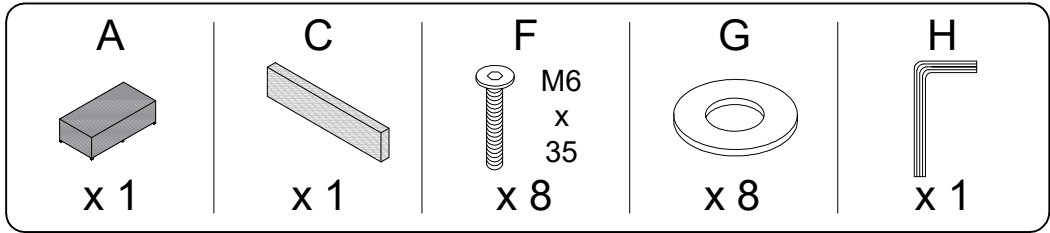
H
x 1



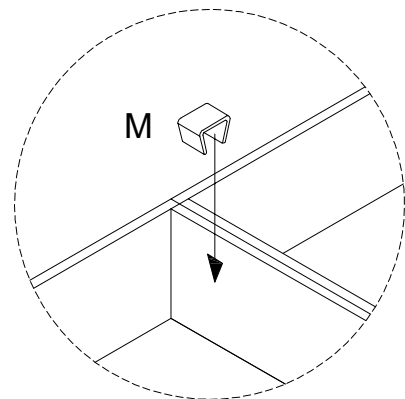
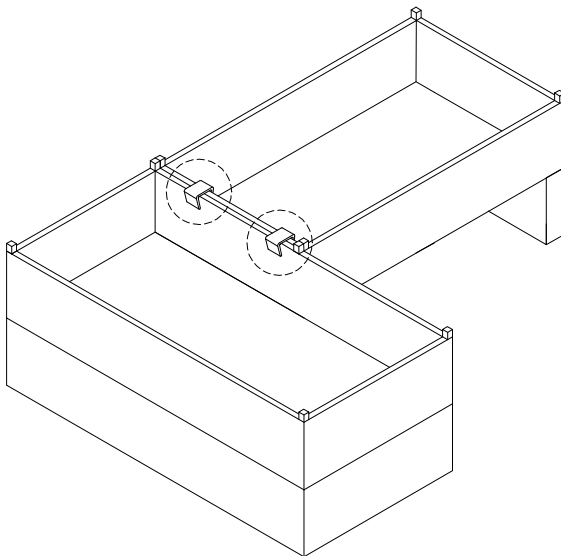
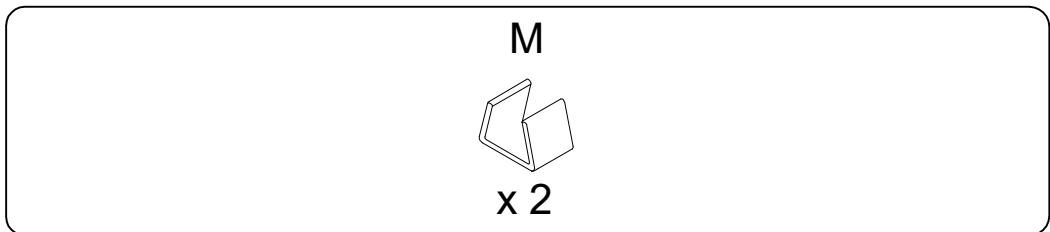
B



1

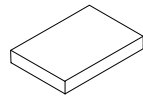


2

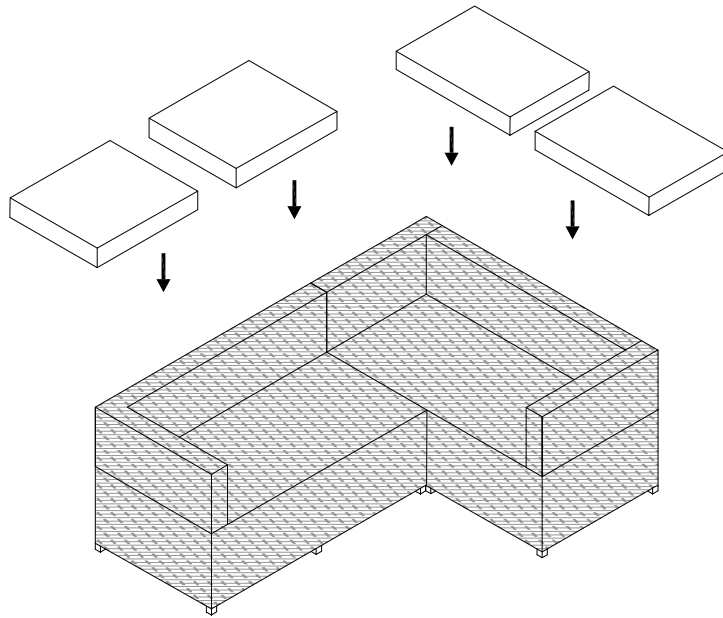


3

D

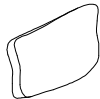


x 4



4

E

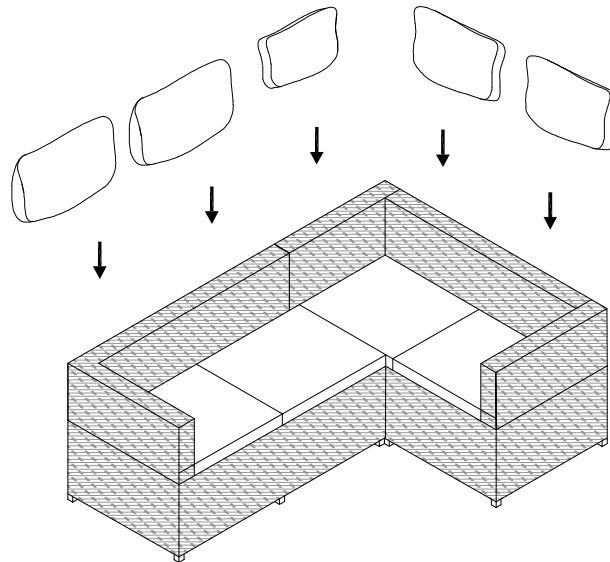


x 4

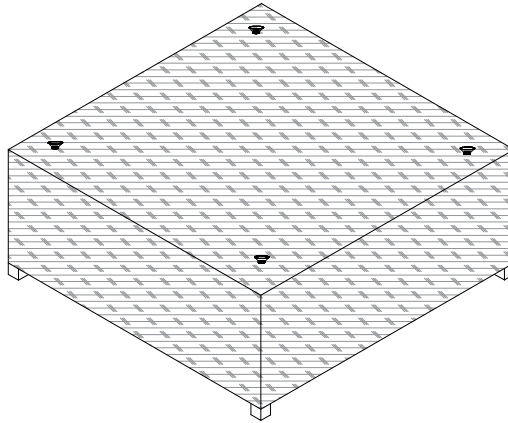
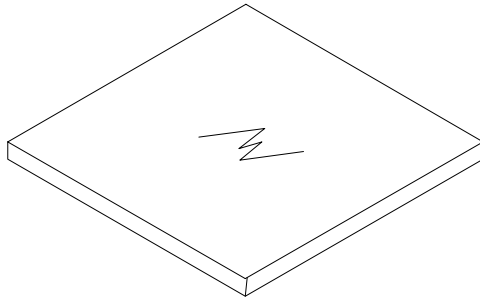
I



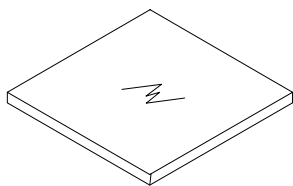
x 1



C

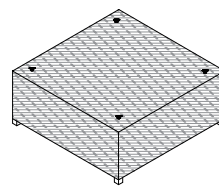


A



x 1

B



x 1

1

