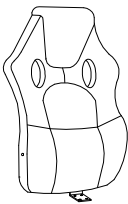
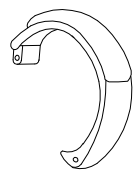
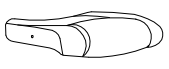
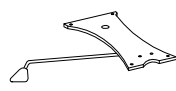
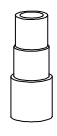

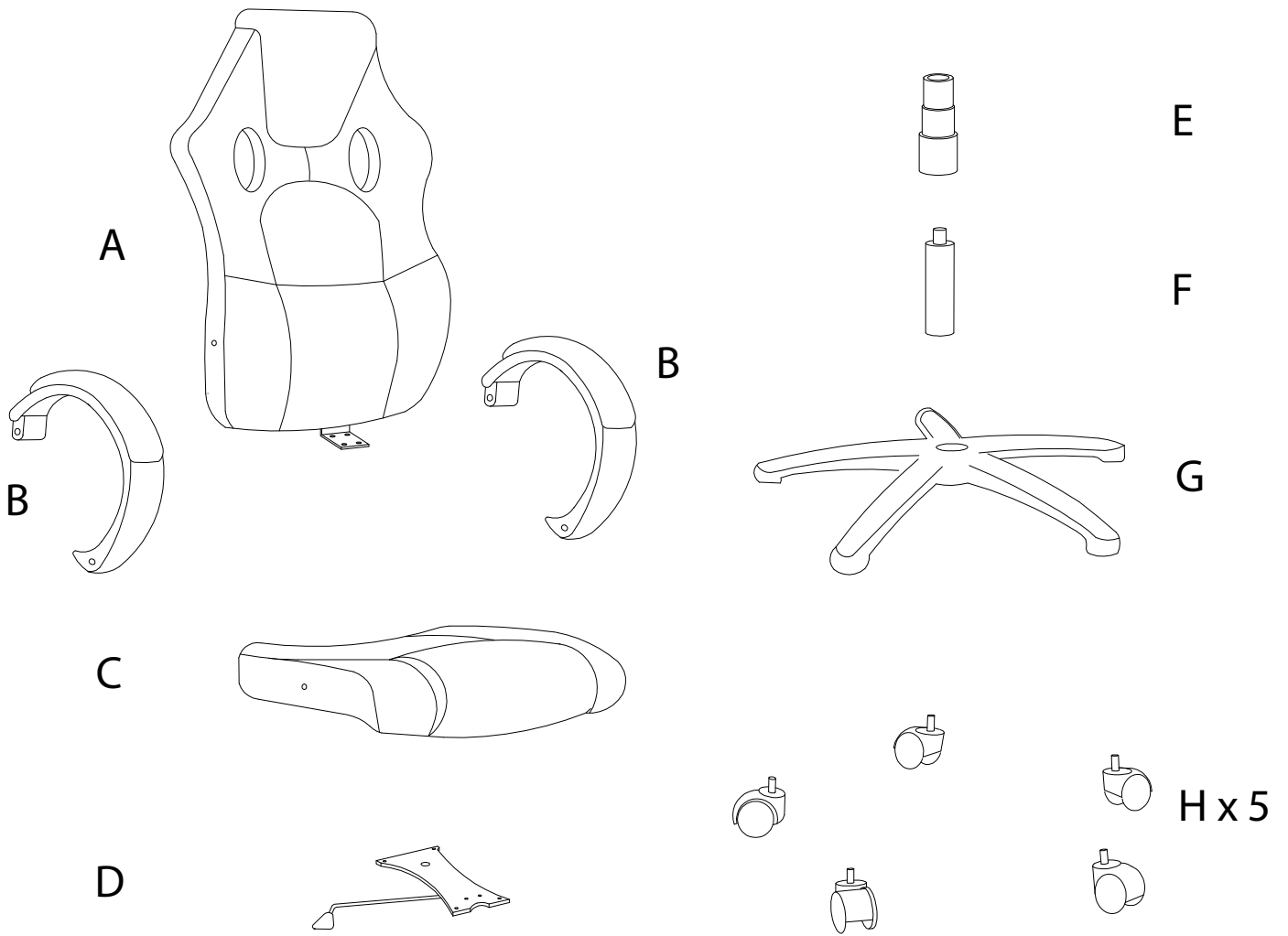

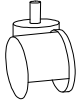

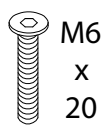
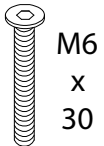
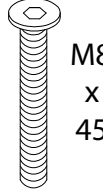
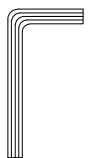


Diagram illustrating assembly instructions and safety warnings:

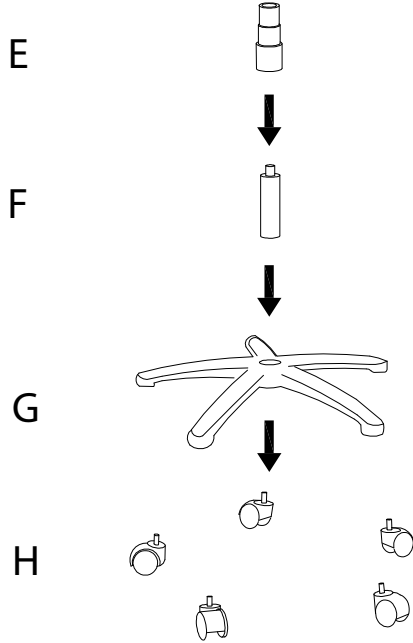
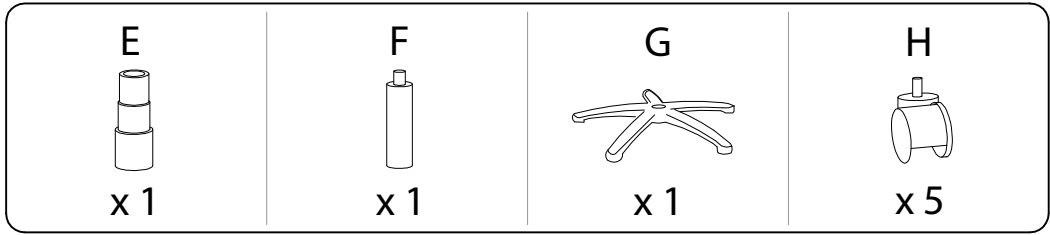
- Warning 1:** A triangle with an exclamation mark. To its left, a circle contains an L-shaped bracket, and next to it is a crossed-out power drill, indicating that a power drill should not be used for this step.
- Warning 2:** A triangle with an exclamation mark. To its left, a circle contains a rectangular block being placed on a surface, and next to it is a crossed-out block with a screw being inserted, indicating that a screw should not be used for this step.
- Time:** A clock icon with the text "40'" below it, indicating an estimated assembly time of 40 minutes.
- Person:** A stick figure icon with the text "1" below it, indicating that one person is required for assembly.

<b>A</b>	<b>B</b>	<b>C</b>	<b>D</b>	<b>E</b>	<b>F</b>
					
<b>x 1</b>	<b>x 2</b>	<b>x 1</b>	<b>x 1</b>	<b>x 1</b>	<b>x 1</b>

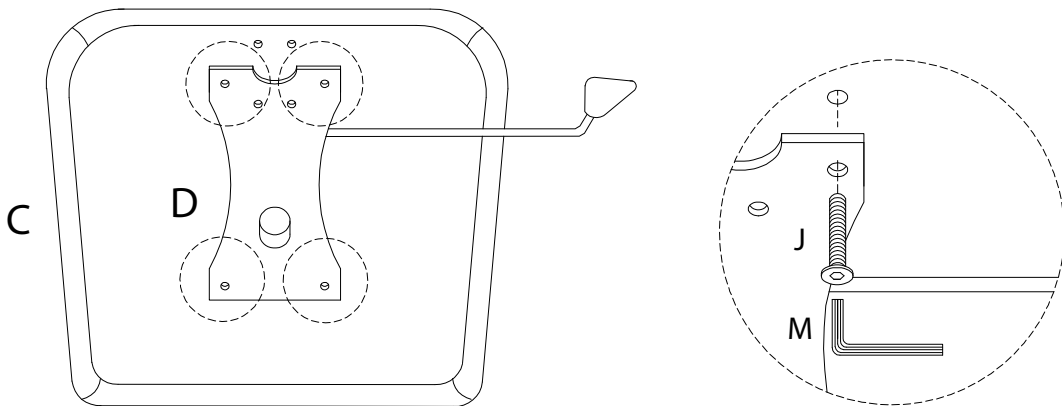
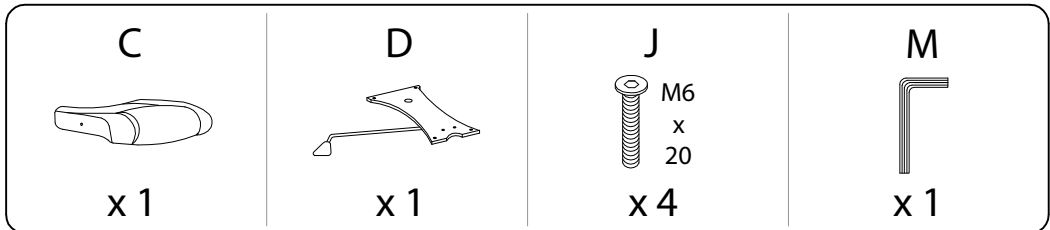


<b>G</b>	<b>H</b>	<b>I</b>	<b>J</b>	<b>K</b>	<b>L</b>	<b>M</b>
						
<b>x 1</b>	<b>x 5</b>	<b>x 4</b>	<b>x 4</b>	<b>x 4</b>	<b>x 4</b>	<b>x 1</b>

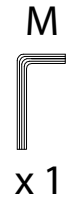
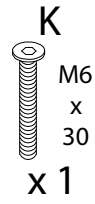
1



2

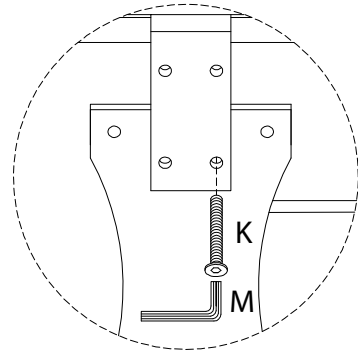
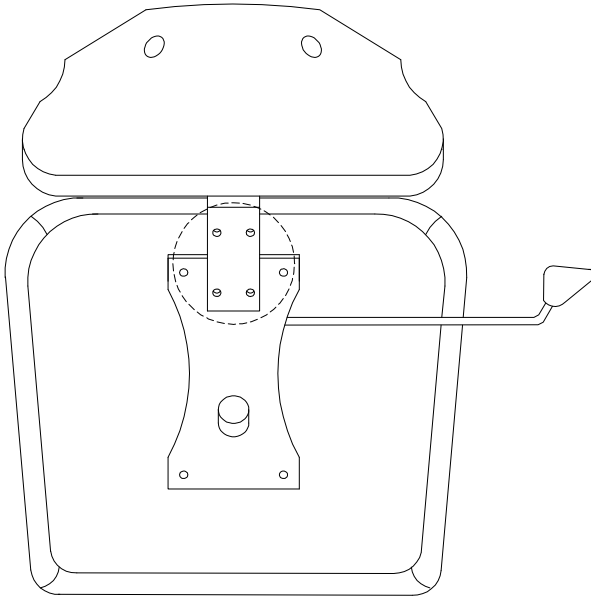


3

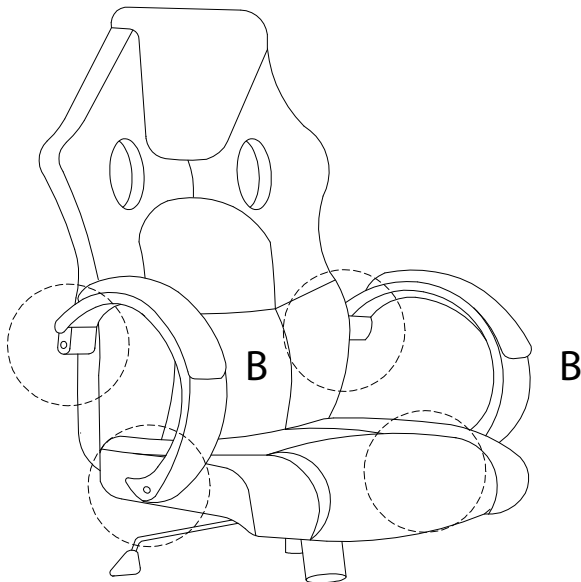
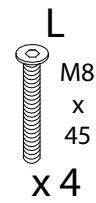
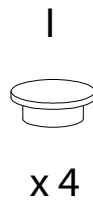


A

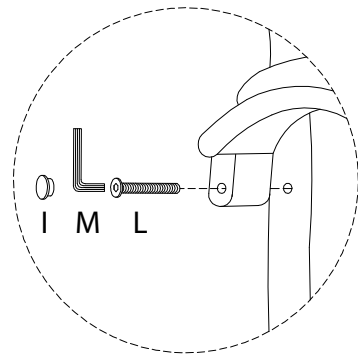
C



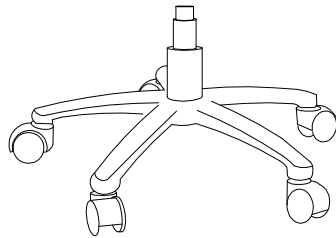
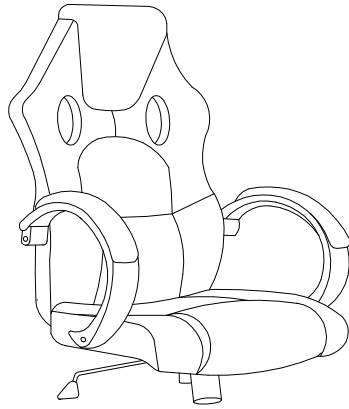
4



B



5



!

