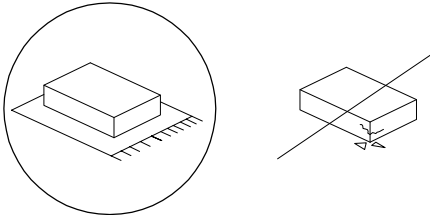
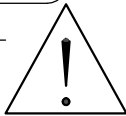
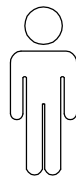
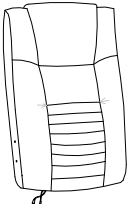
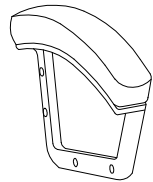
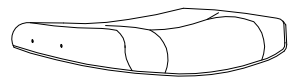
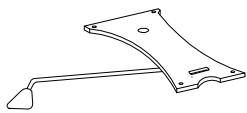
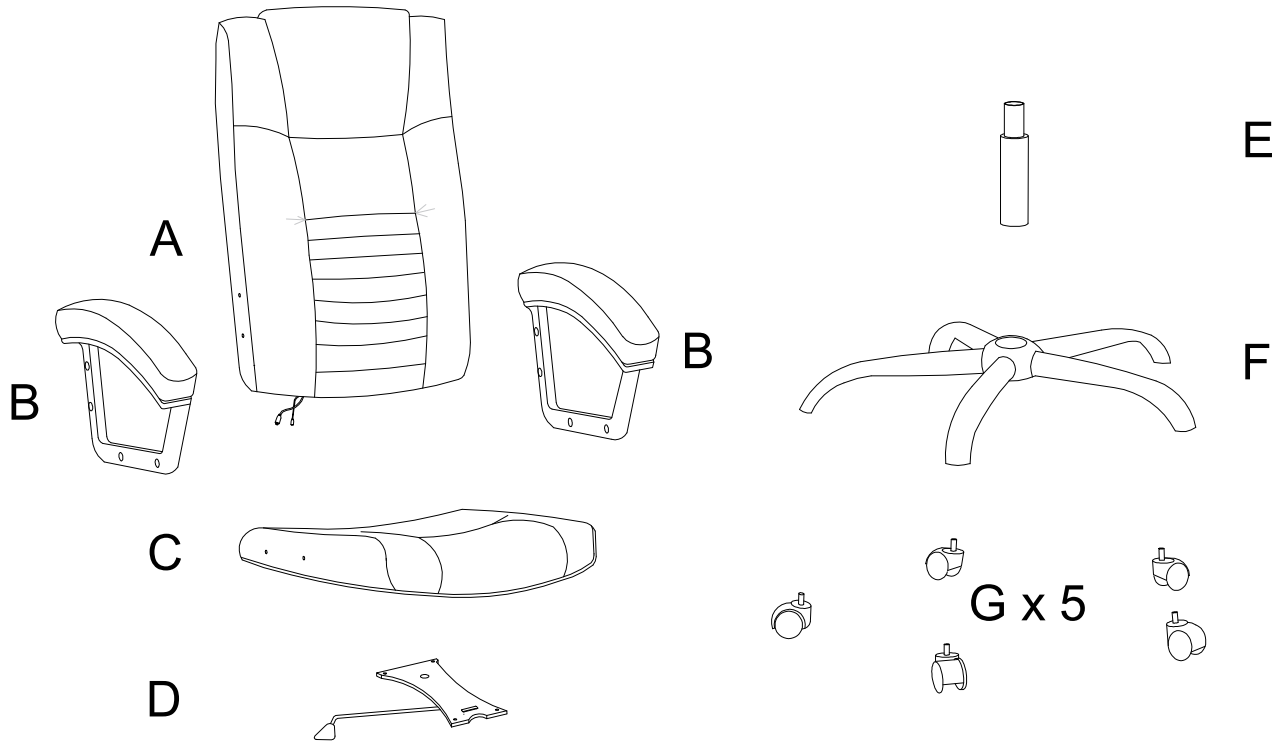


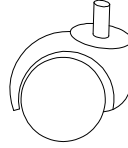
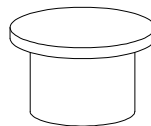
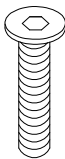

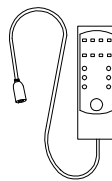
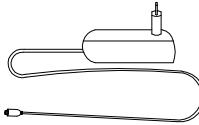
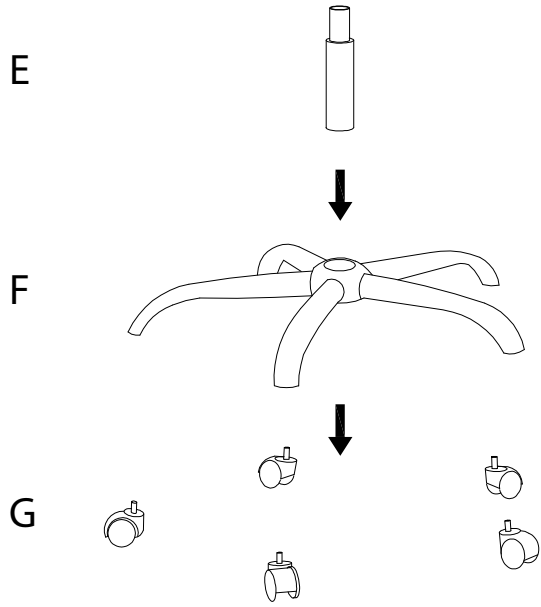
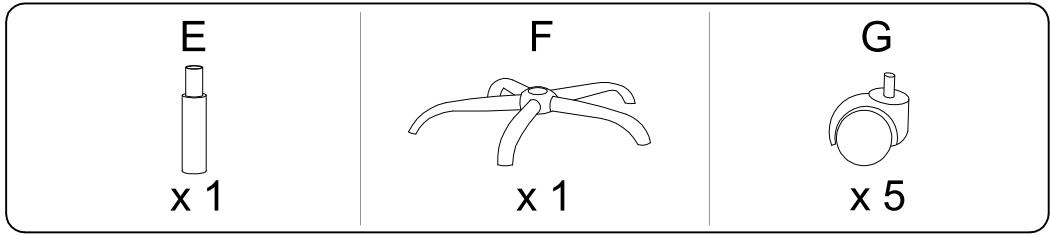

		30'
		
		1

A  x 1	B  x 2	C  x 1	D  x 1
---	---	--	---

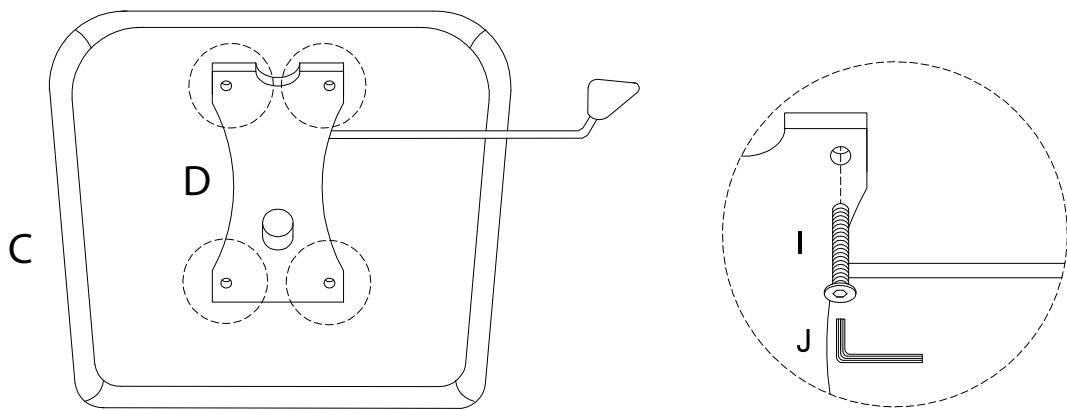
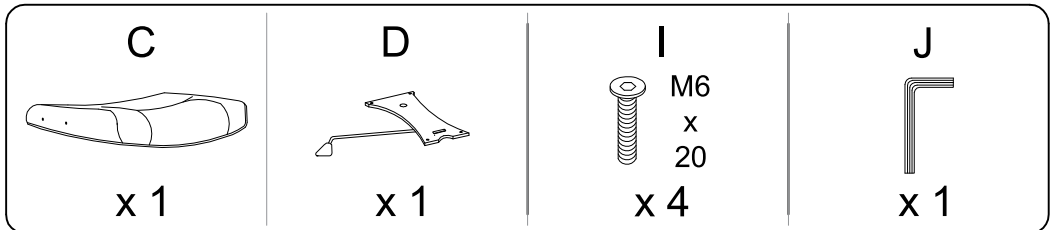


E  x 1	F  x 1	G  x 5	H  x 8
I  M6 x 20 x 12	J  x 1	K  x 1	L  x 1

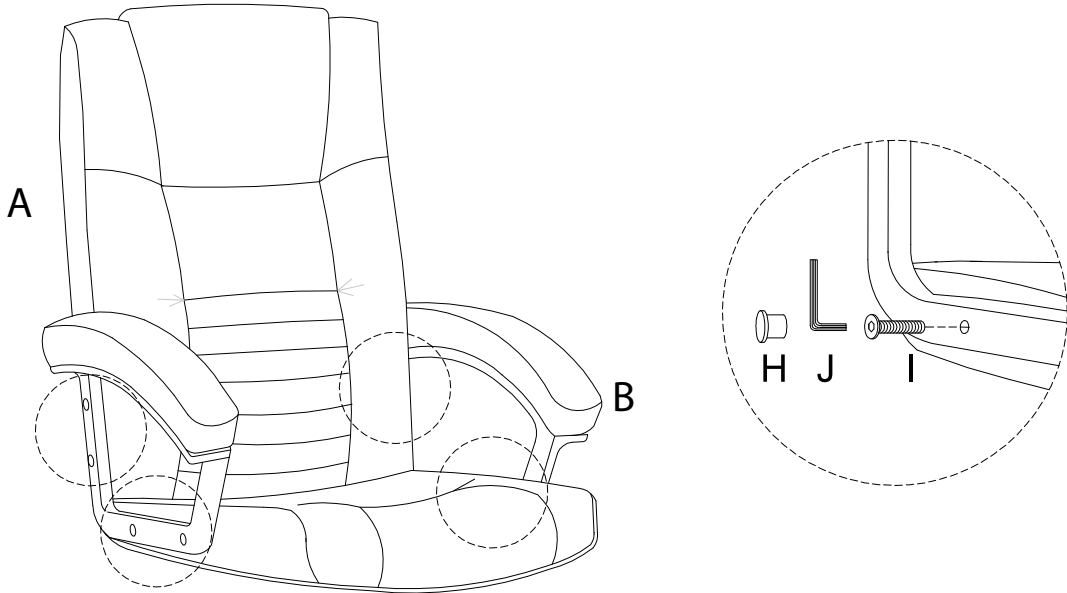
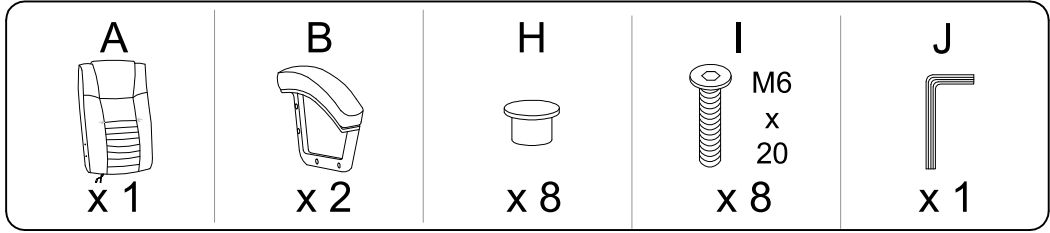
1



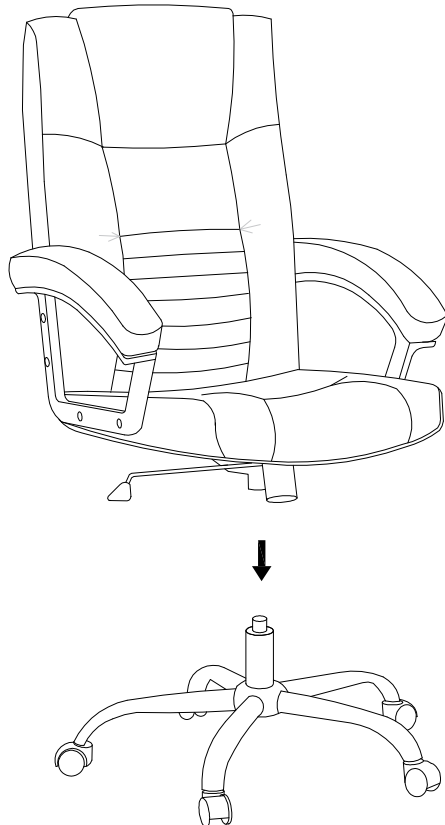
2



3

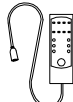


4



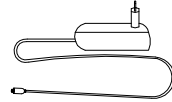
5

K

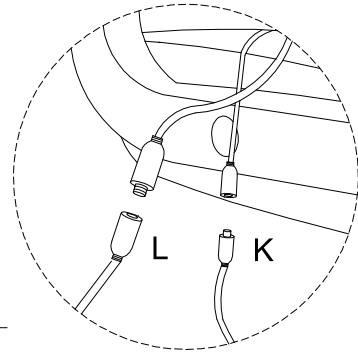
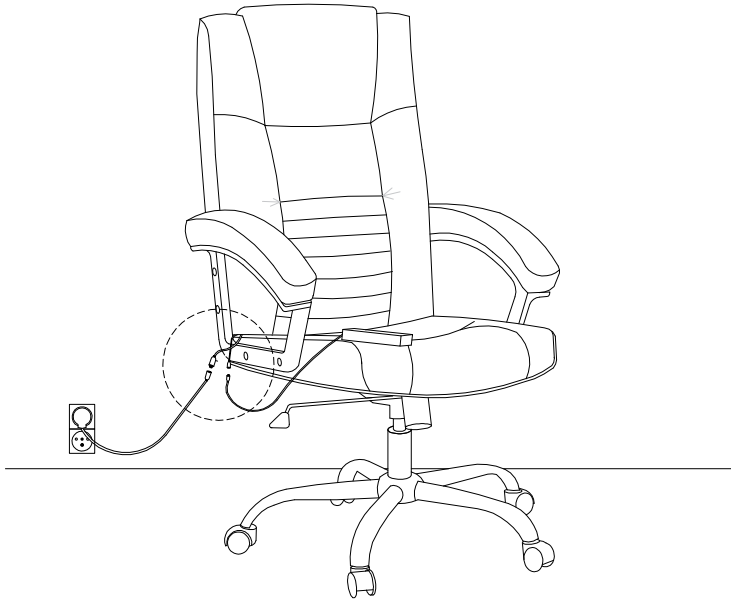


x 1

L



x 1



!

