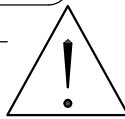
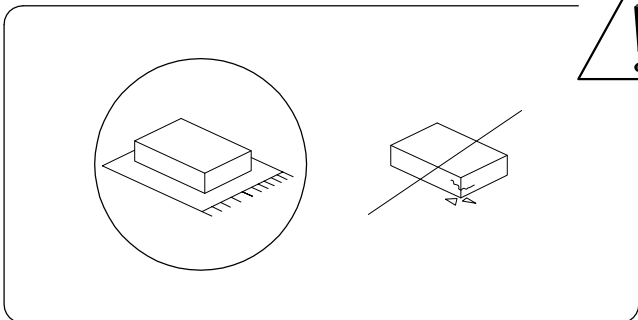
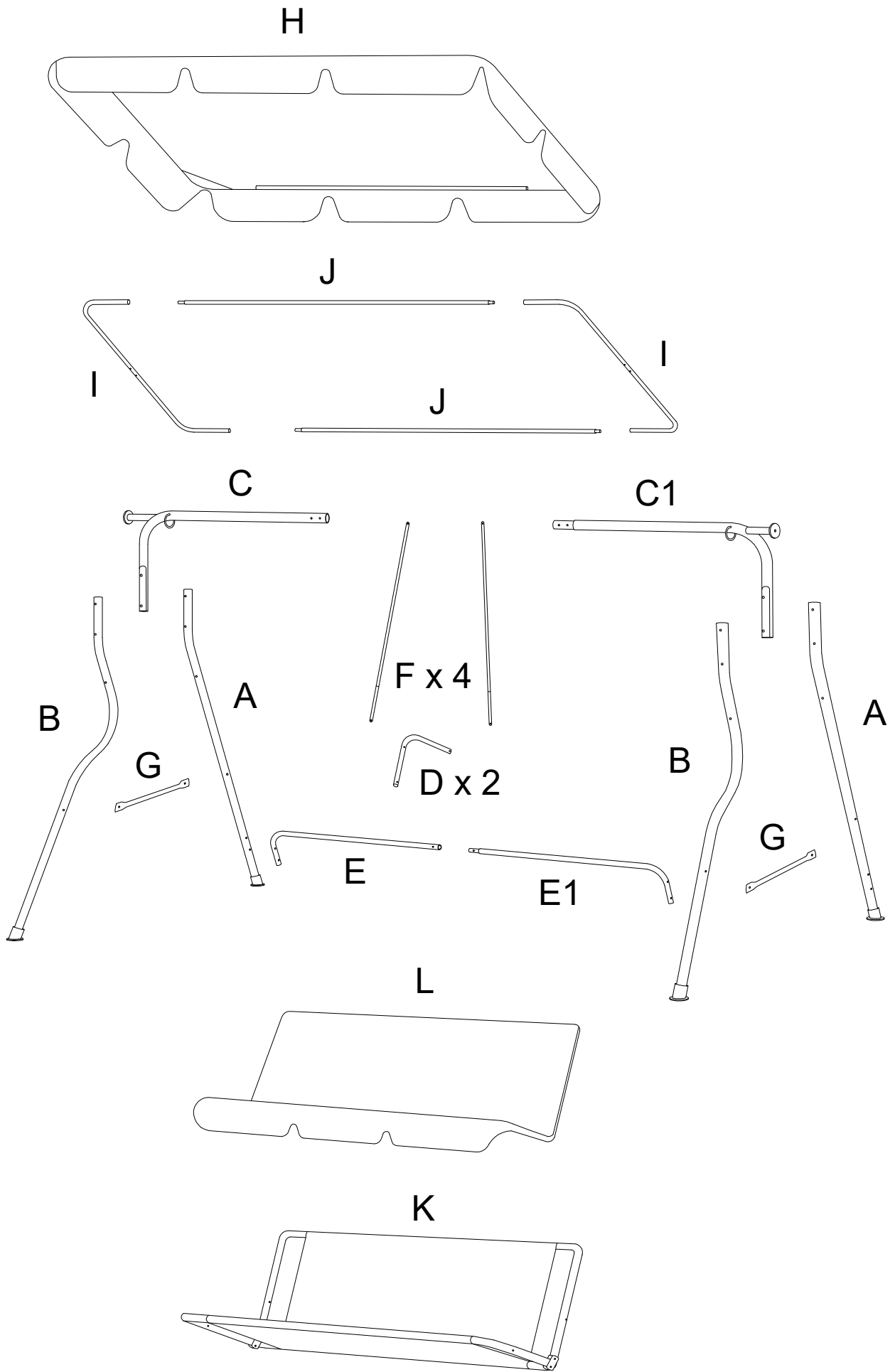


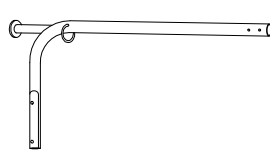
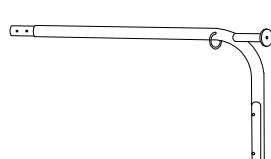
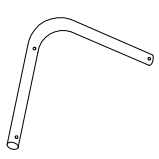



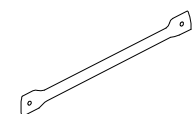
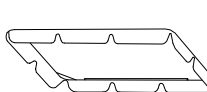
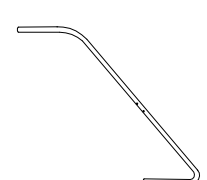


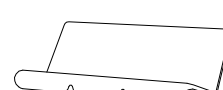


90'

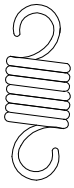


2



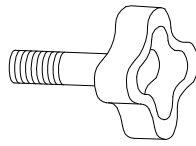
<p>A</p>  <p>x 2</p>	<p>B</p>  <p>x 2</p>	<p>C</p>  <p>x 1</p>	
<p>C1</p>  <p>x 1</p>	<p>D</p>  <p>x 2</p>	<p>E</p>  <p>x 1</p>	
<p>E1</p>  <p>x 1</p>	<p>F</p>  <p>x 4</p>	<p>G</p>  <p>x 2</p>	<p>H</p>  <p>x 1</p>
<p>I</p>  <p>x 2</p>	<p>J</p>  <p>x 2</p>	<p>K</p>  <p>x 1</p>	<p>L</p>  <p>x 1</p>

M



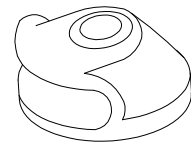
x 2

N



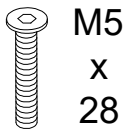
x 2

O



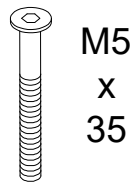
x 2

P



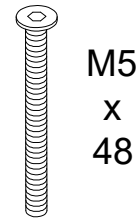
x 1

Q



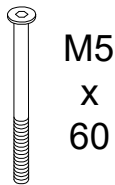
x 2

R



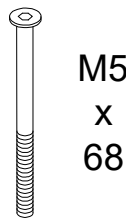
x 6

S



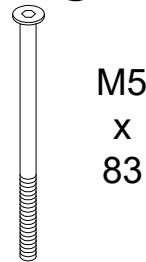
x 4

T



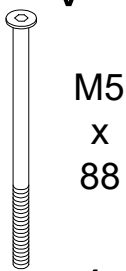
x 4

U



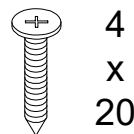
x 2

V



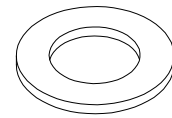
x 4

W



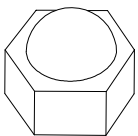
x 4

X



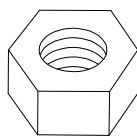
x 23

Y



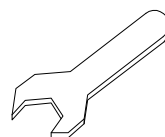
x 27

Z



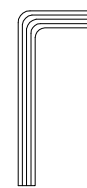
x 23

Г





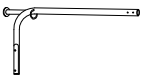
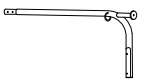
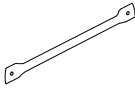
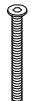


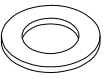
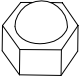
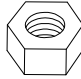

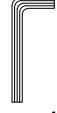
x 1

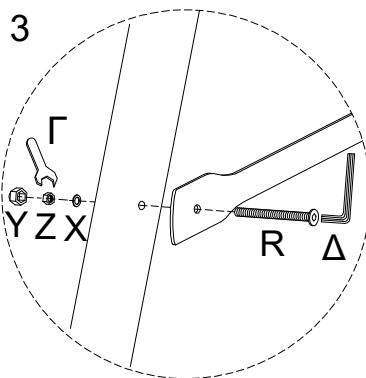
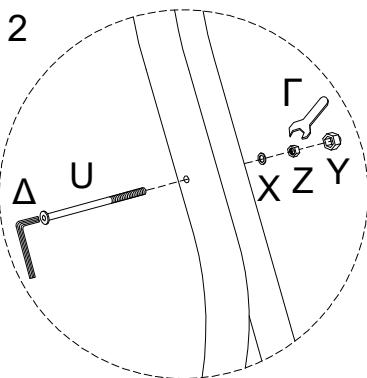
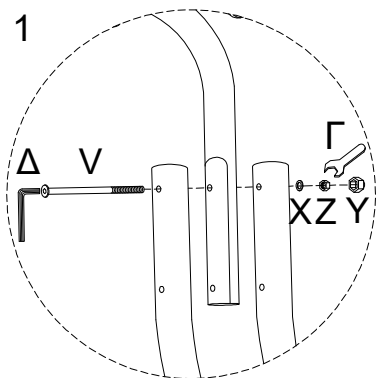
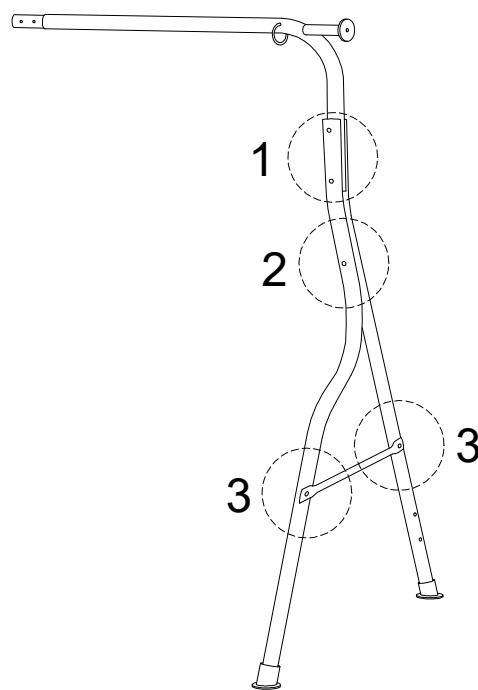
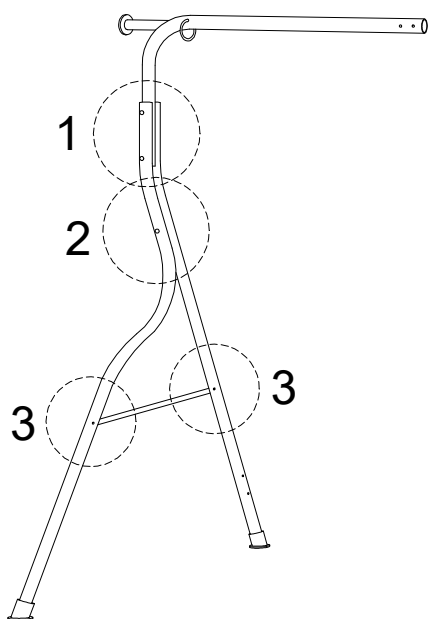
Δ



x 1

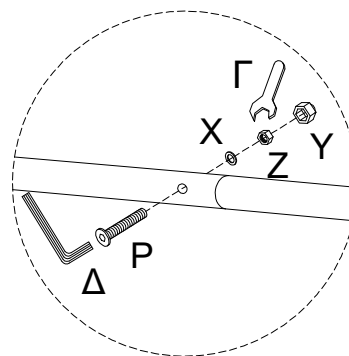
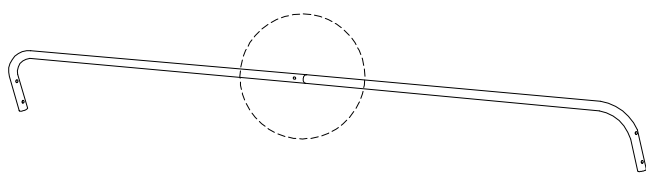
1

A  x 2	B  x 2	C  x 1	C1  x 1	G  x 2	R  M5 x 48 x 4	
U  M5 x 83 x 2	V  M5 x 88 x 4	X  x 10	Y  x 10	Z  x 10	Г  x 1	Δ  x 1



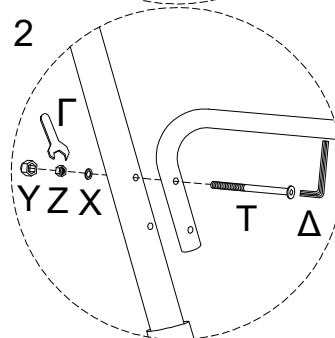
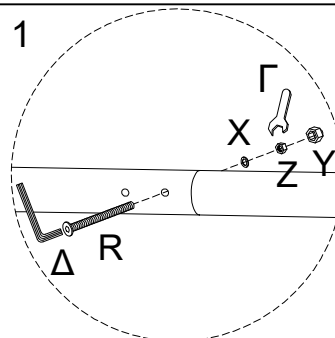
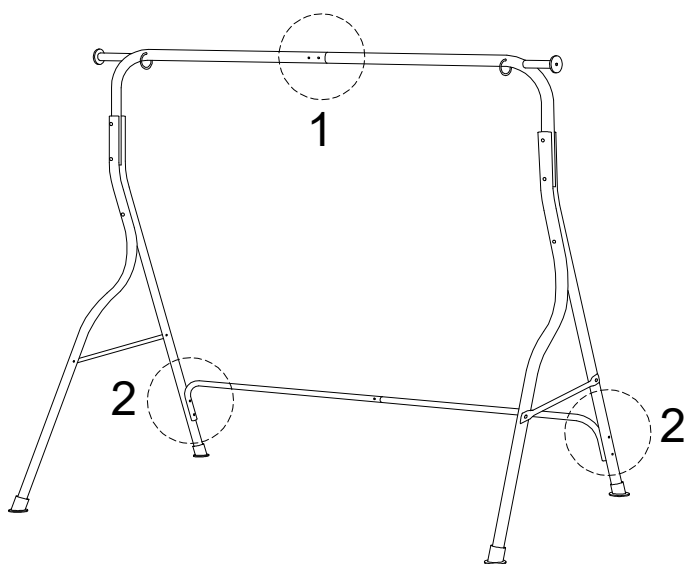
2

E	E1	P	X	Y	Z	Г	Δ
x 1	x 1	x 1	x 1	x 1	x 1	x 1	x 1



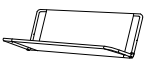


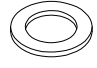
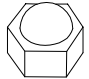
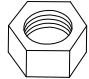
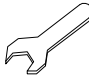



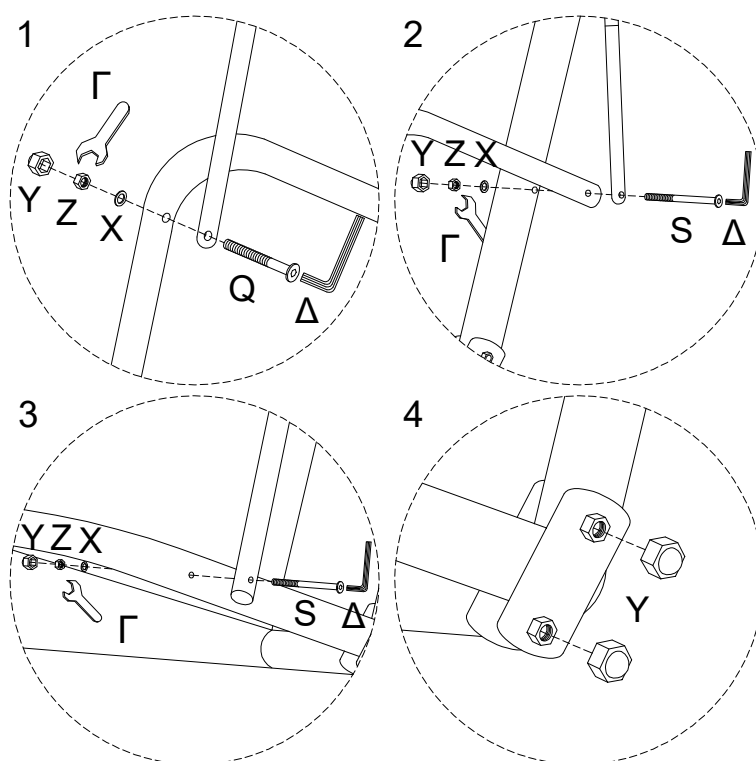
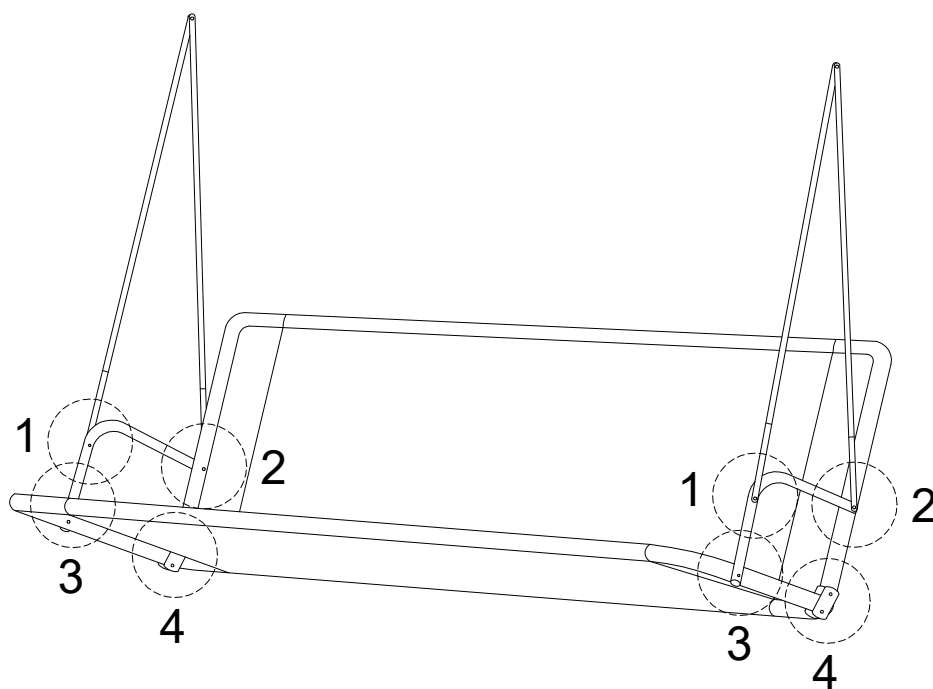
3

R	T	X	Y	Z	Г	Δ
x 2	x 4	x 6	x 6	x 6	x 1	x 1



4

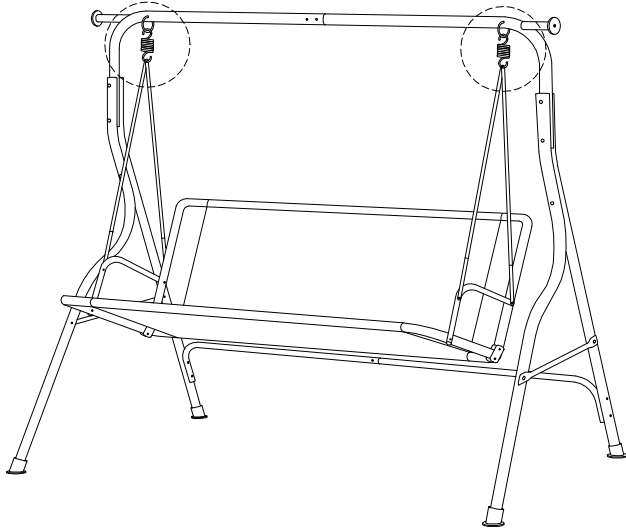
F  x 4	D  x 2	K  x 1	Q M5 x 35  x 2	S M5 x 60  x 4
X  x 6	Y  x 10	Z  x 6	Г  x 1	Δ  x 1



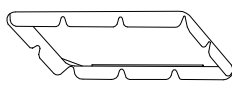
5

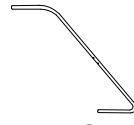
M


x 2

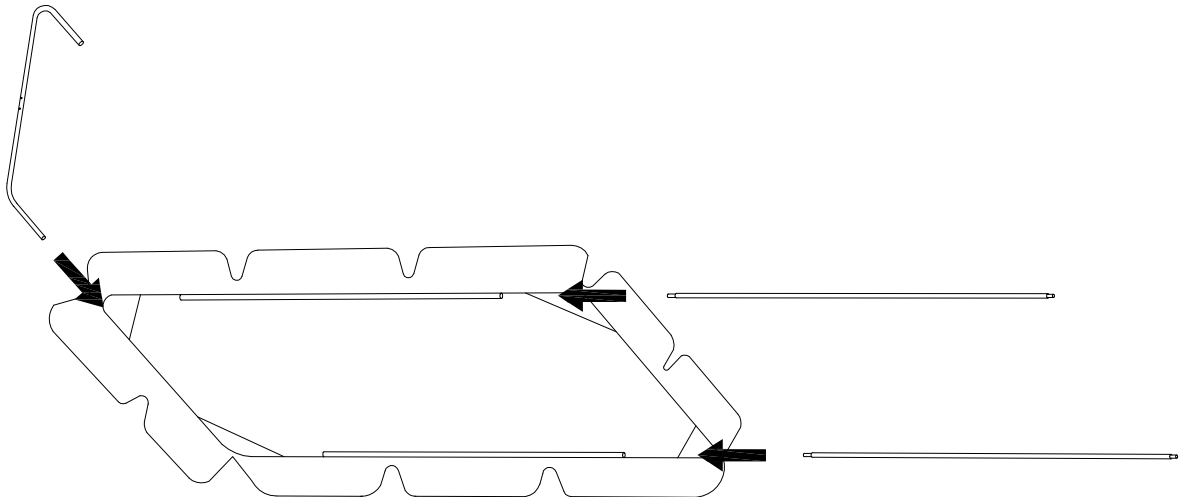


6

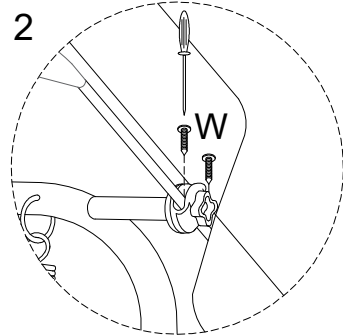
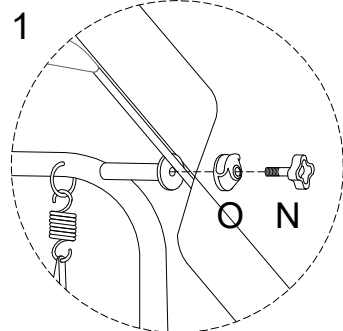
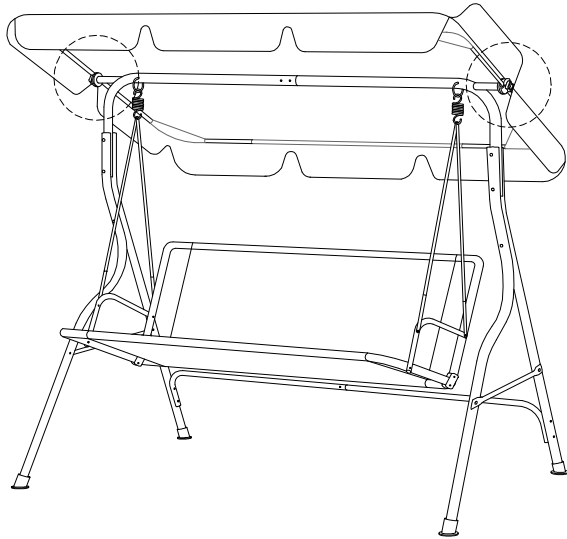
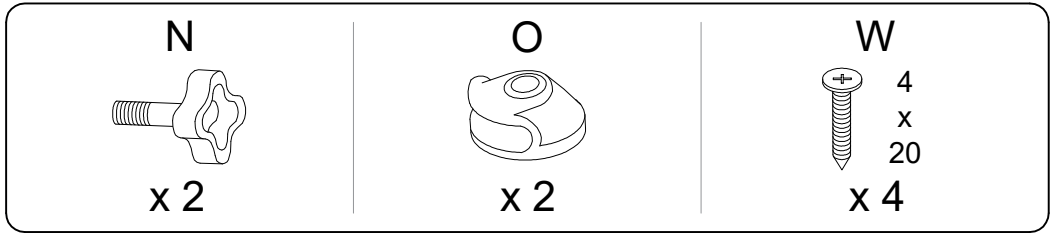
H

x 1

I

x 2

J

x 2



7



8

