

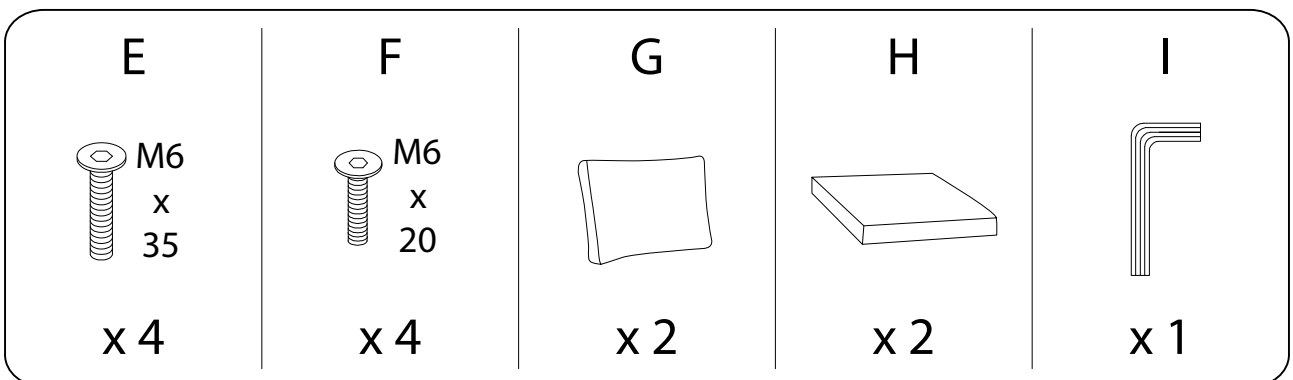
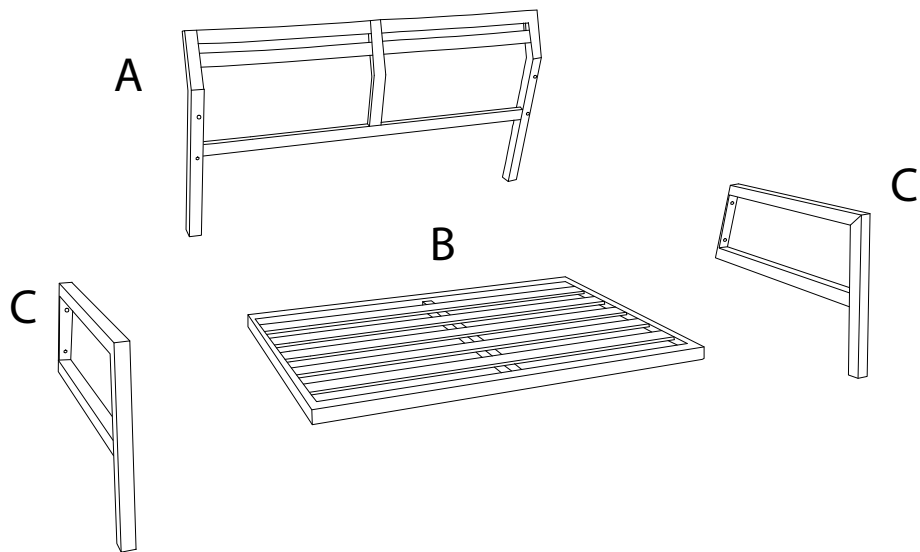
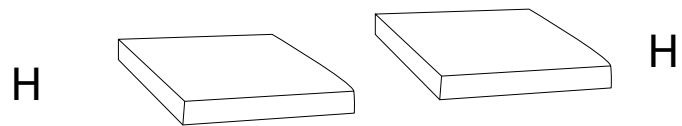
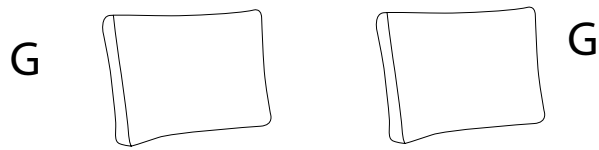
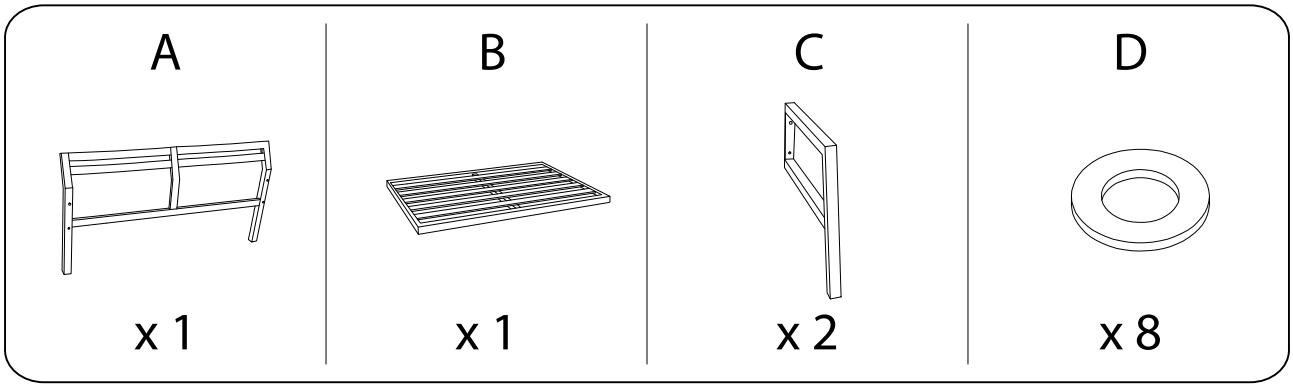
A circular inset shows an L-shaped corner connector. To its right is a power drill with a diagonal line through it, indicating it should not be used on this part.

60'

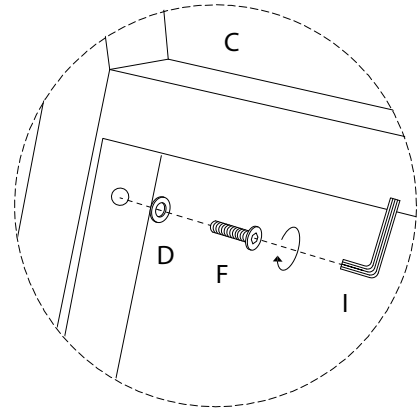
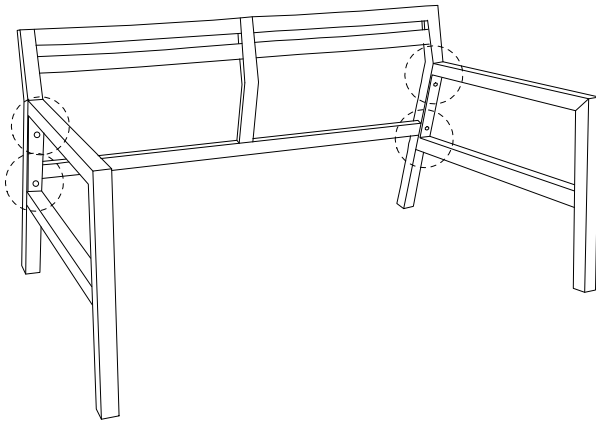
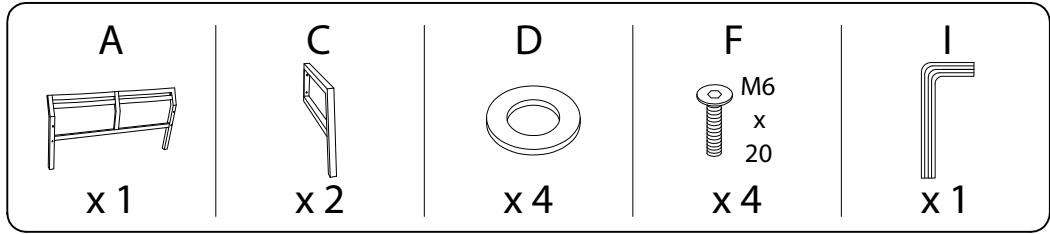
A circular inset shows a rectangular block on a textured surface. To its right is a power drill with a diagonal line through it, indicating it should not be used on this part.

2

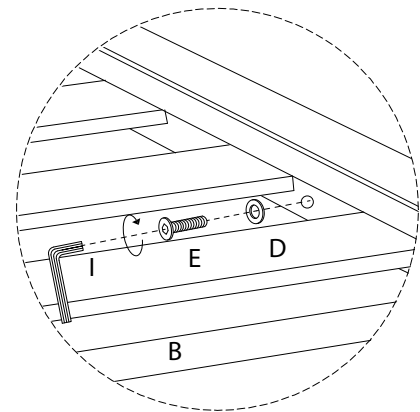
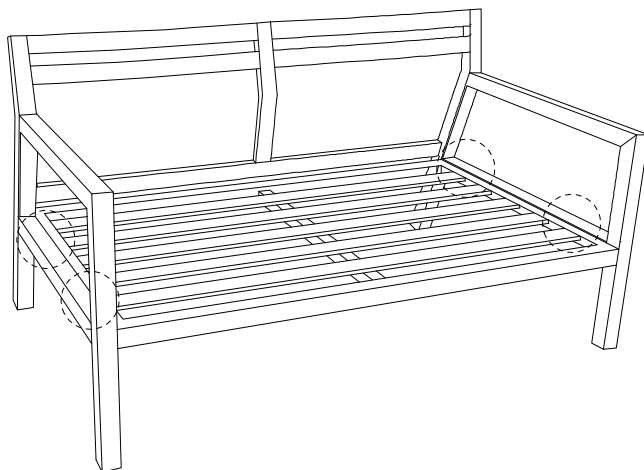
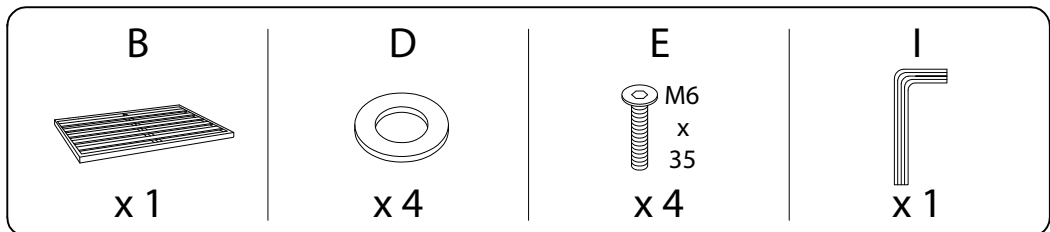
# A



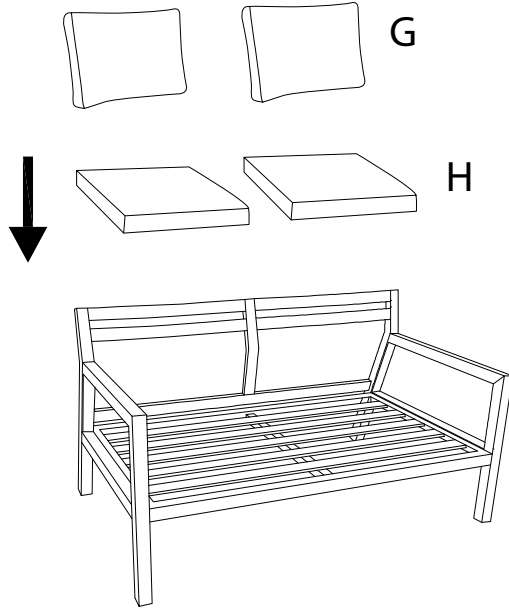
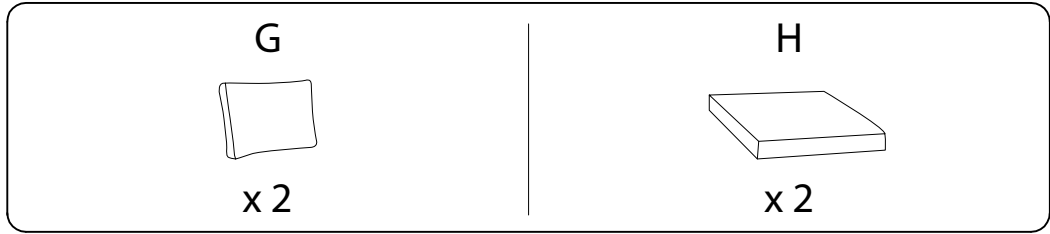
1



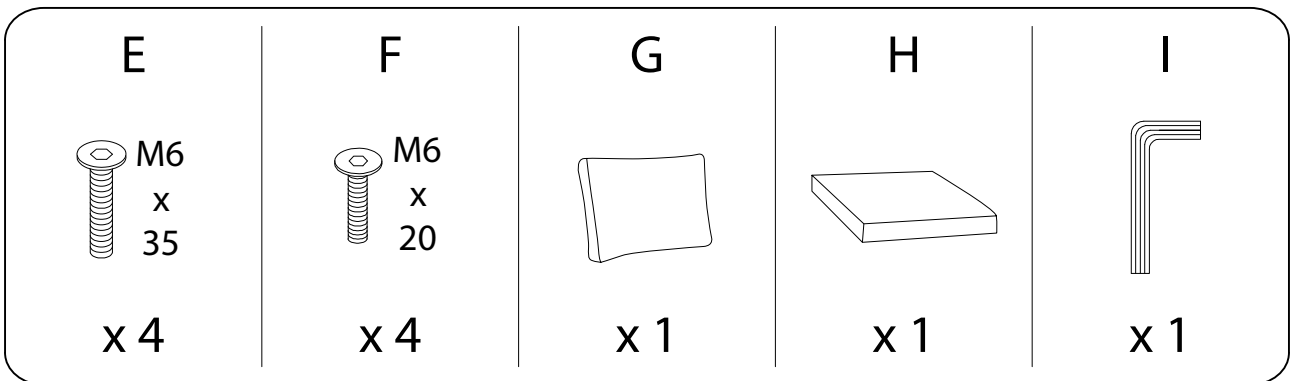
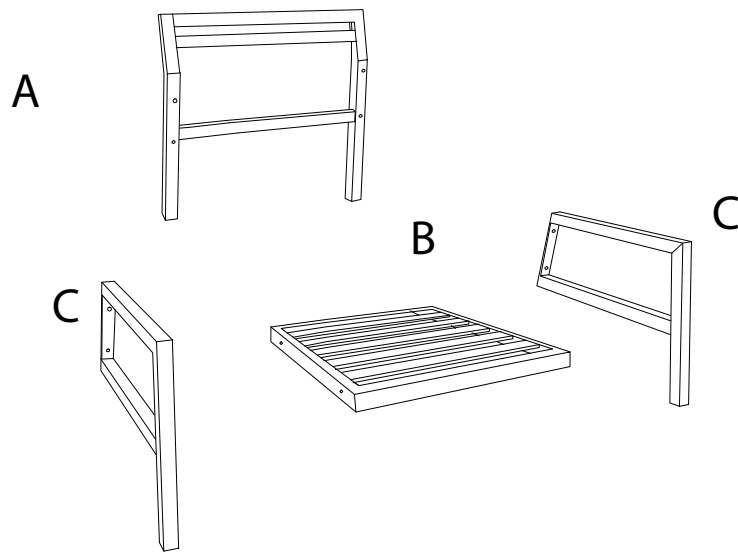
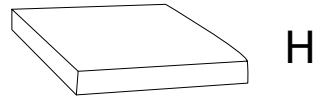
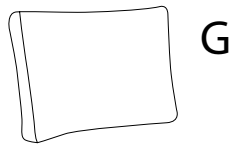
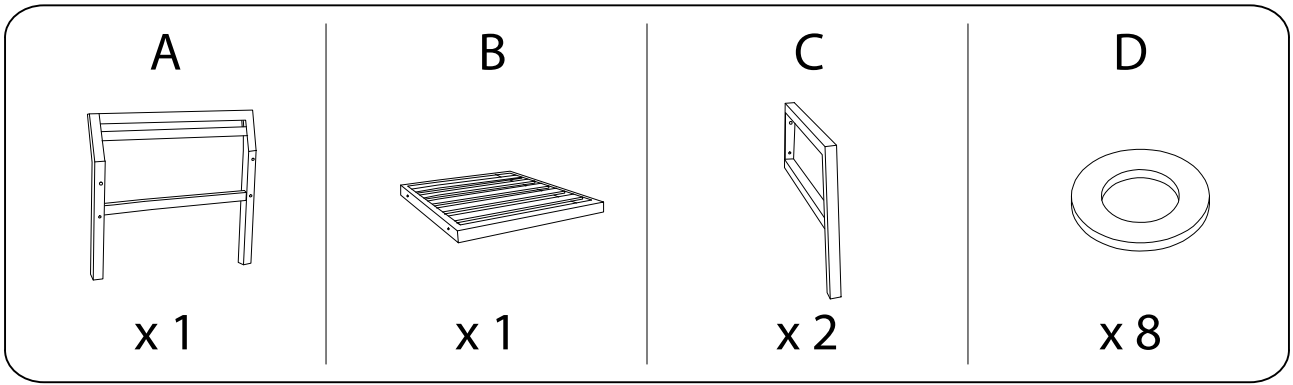
2



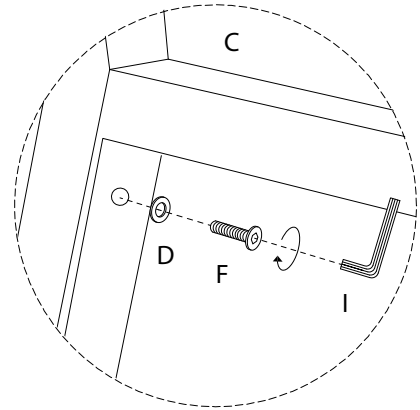
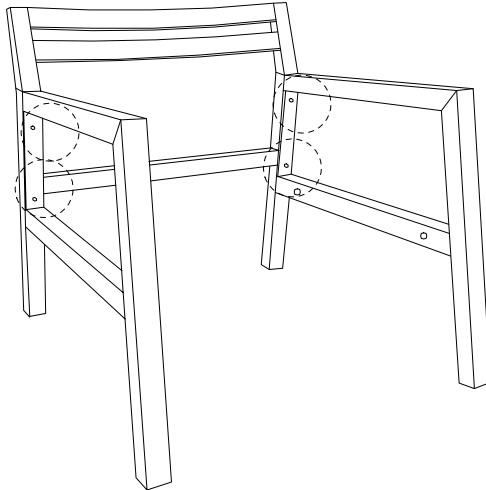
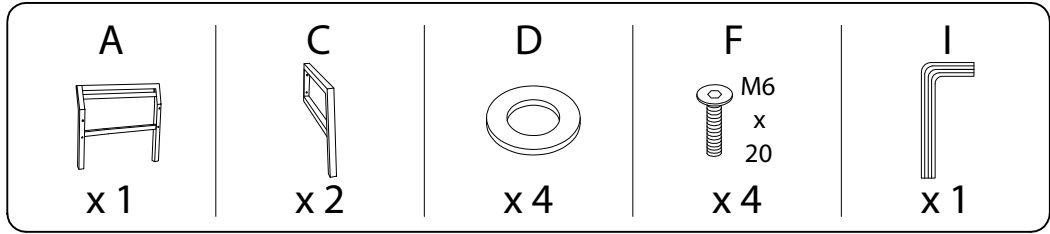
3



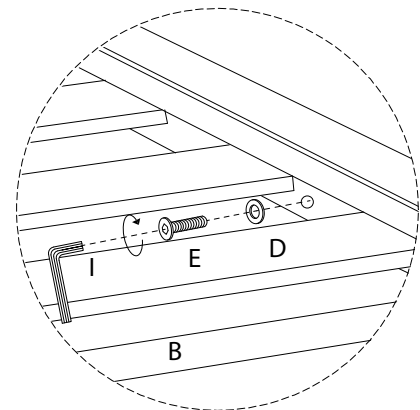
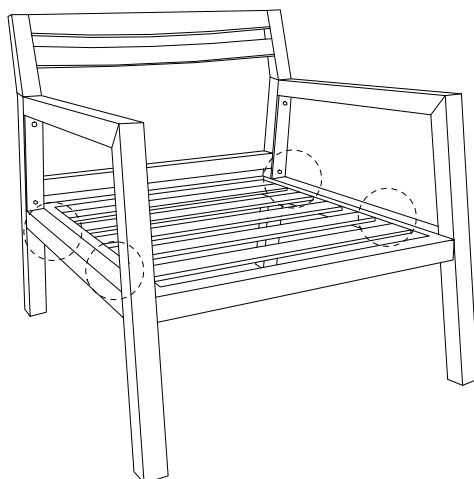
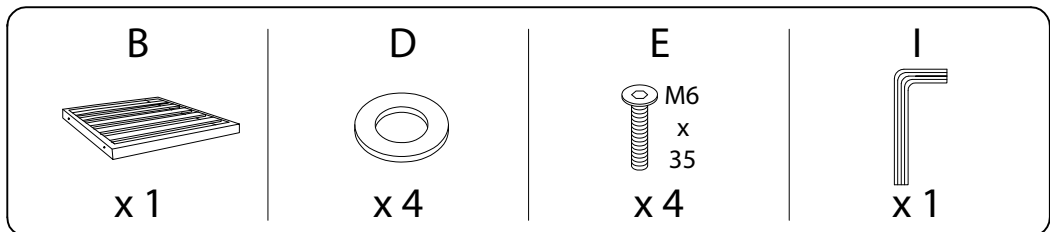
# B



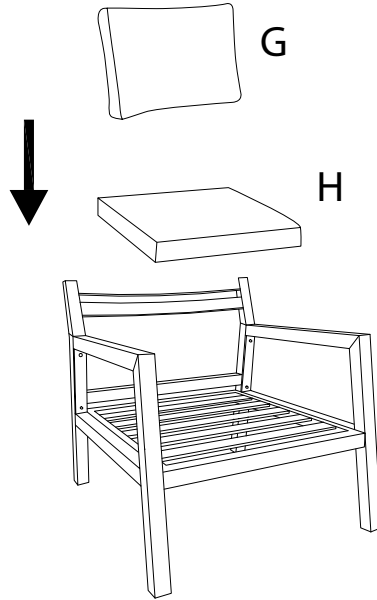
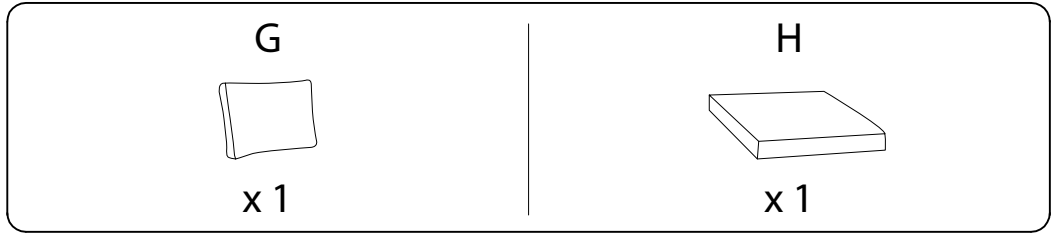
1



2

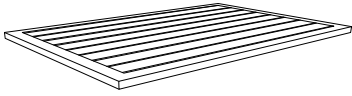


3



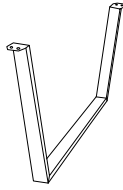
C

A



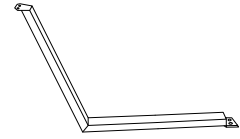
x 1

B



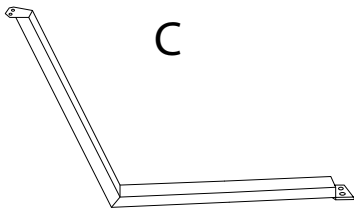
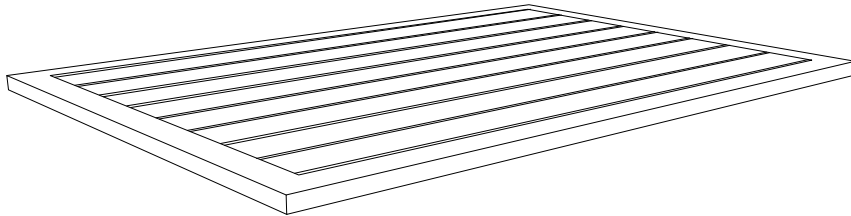
x 1

C

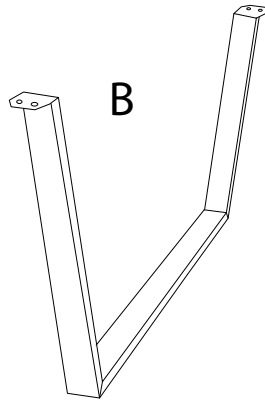


x 2

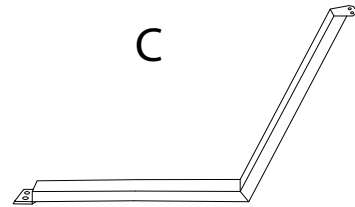
A



C

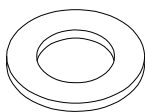


B



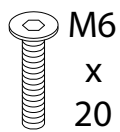
C

D



x 12

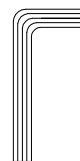
E



M6  
x  
20

x 12

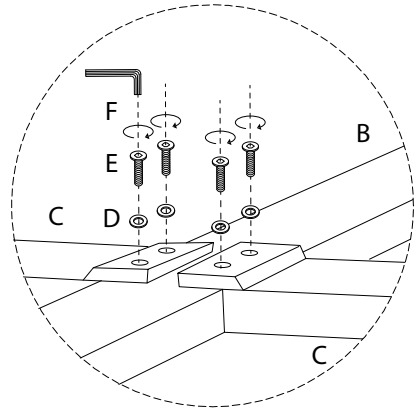
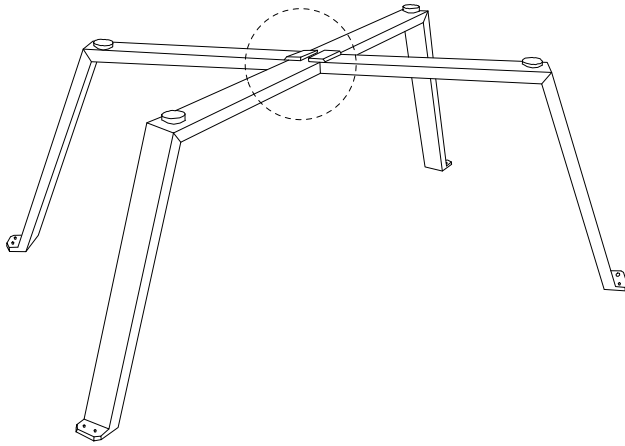
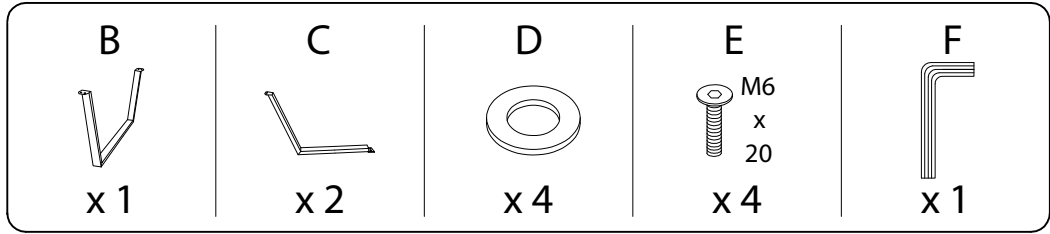
F



x 1



1



2

