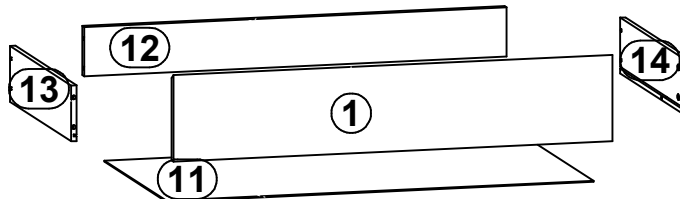
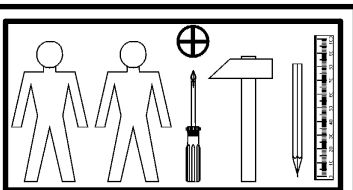
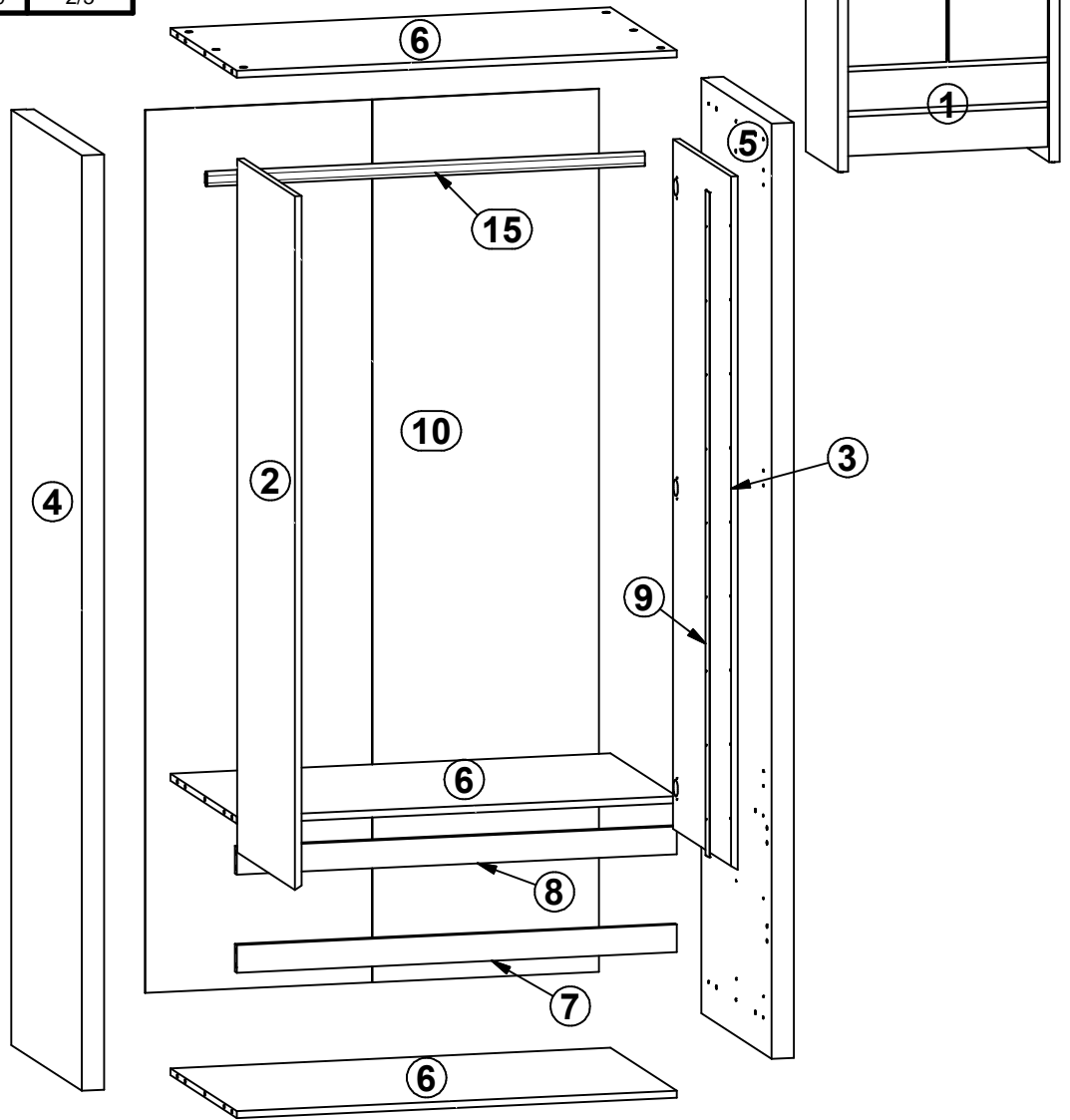


VENOM

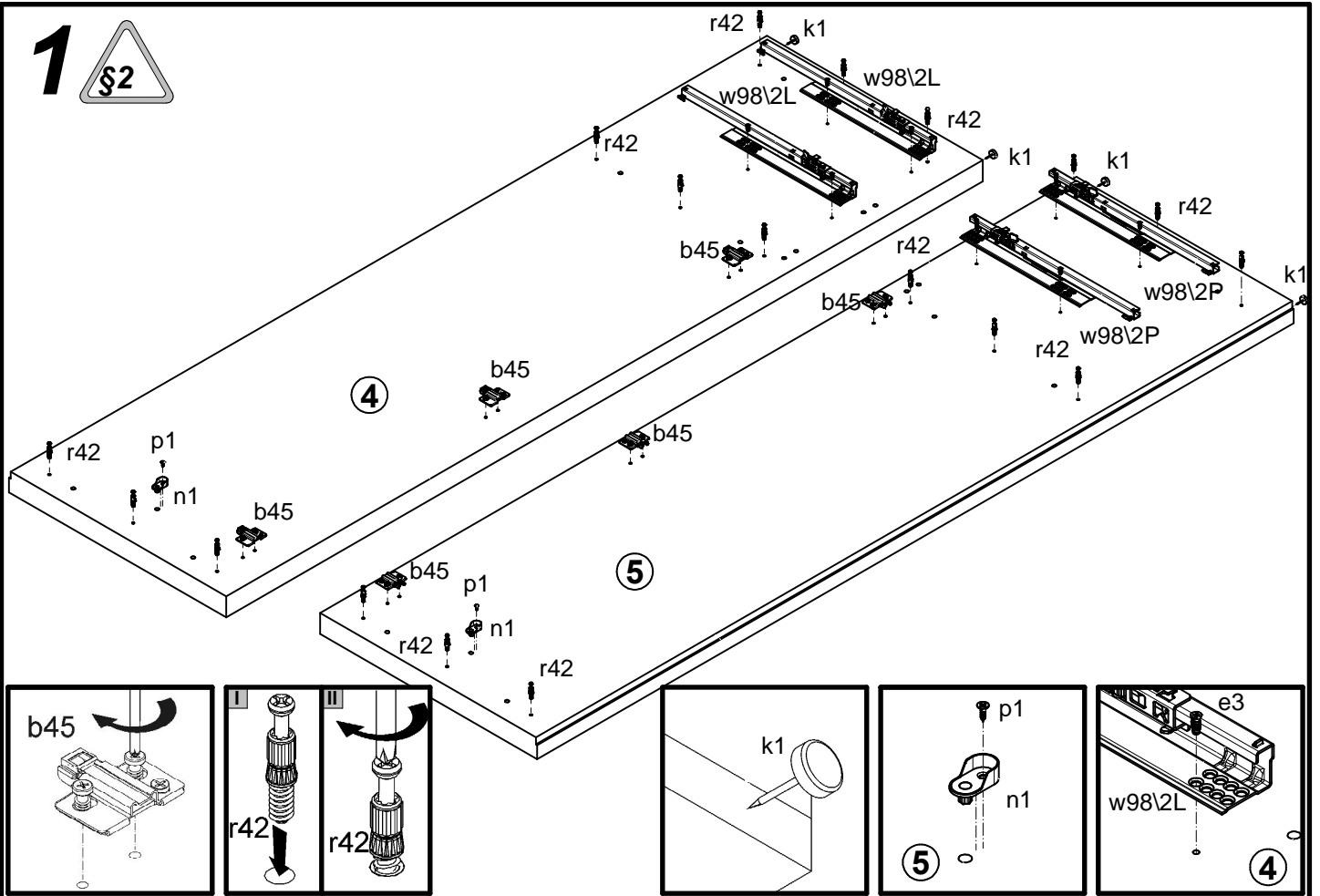
S139-SZF2D2S

A	B	C	D	A	B	C	D		
1	S139-002	963	186	4/5	9	S139-505	1436	29	1/5
2	S139-006	1498	475	5/5	10	S139-903	1907	998	1/5
3	S139-007	1498	475	5/5	11	S139-906	937	506,	1/5
4	S139-105	2020	580	1/5	12	ZT1-503	926	106	2/5
5	S139-106	2020	580	1/5	13	ZT1-504	500	120	2/5
6	S139-305	968	545	2/5	14	ZT1-505	500	120	2/5
7	S139-401	968	60	2/5	15	dr-963	963	30	2/5
8	S139-403	968	60	2/5					

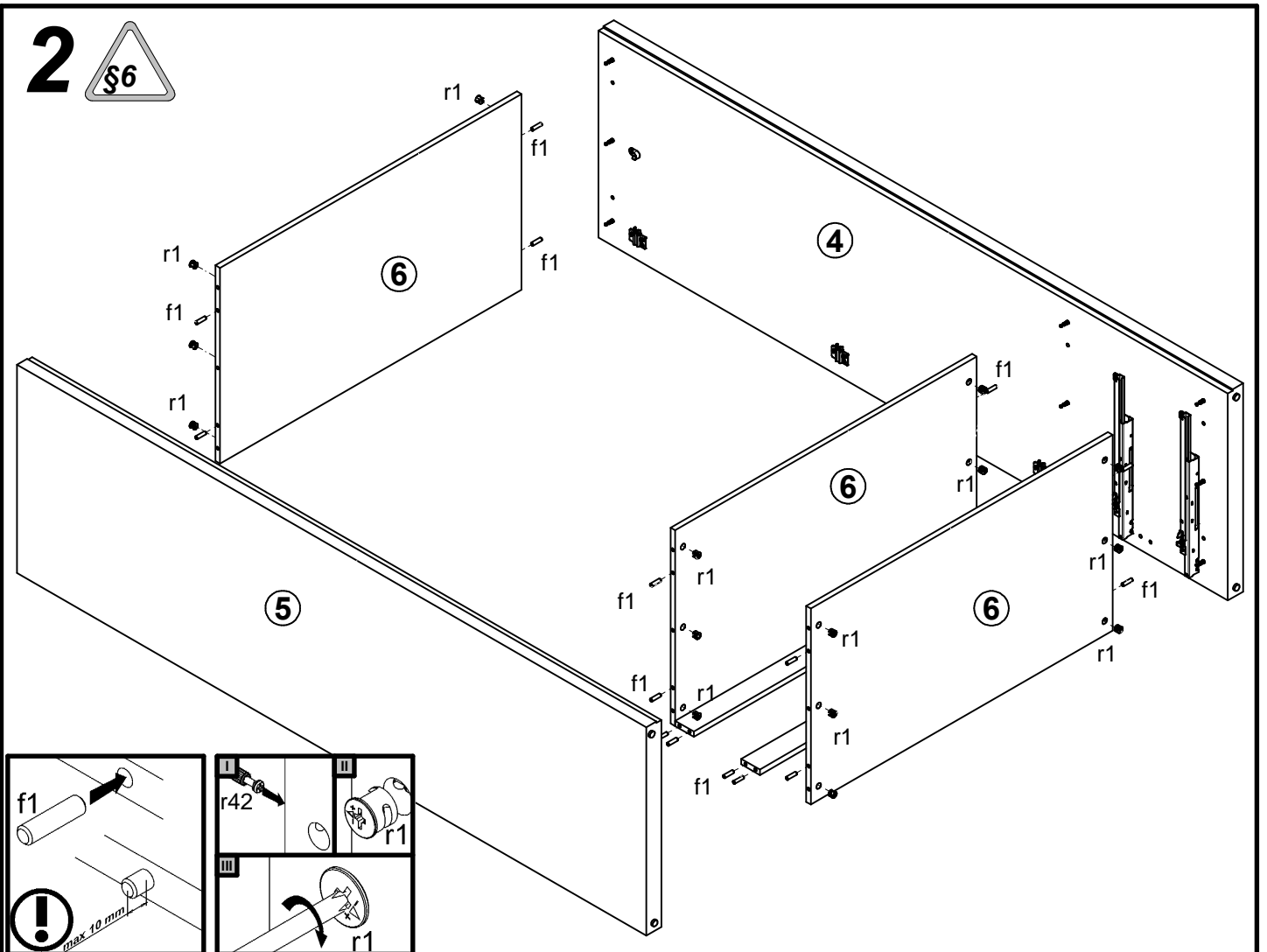


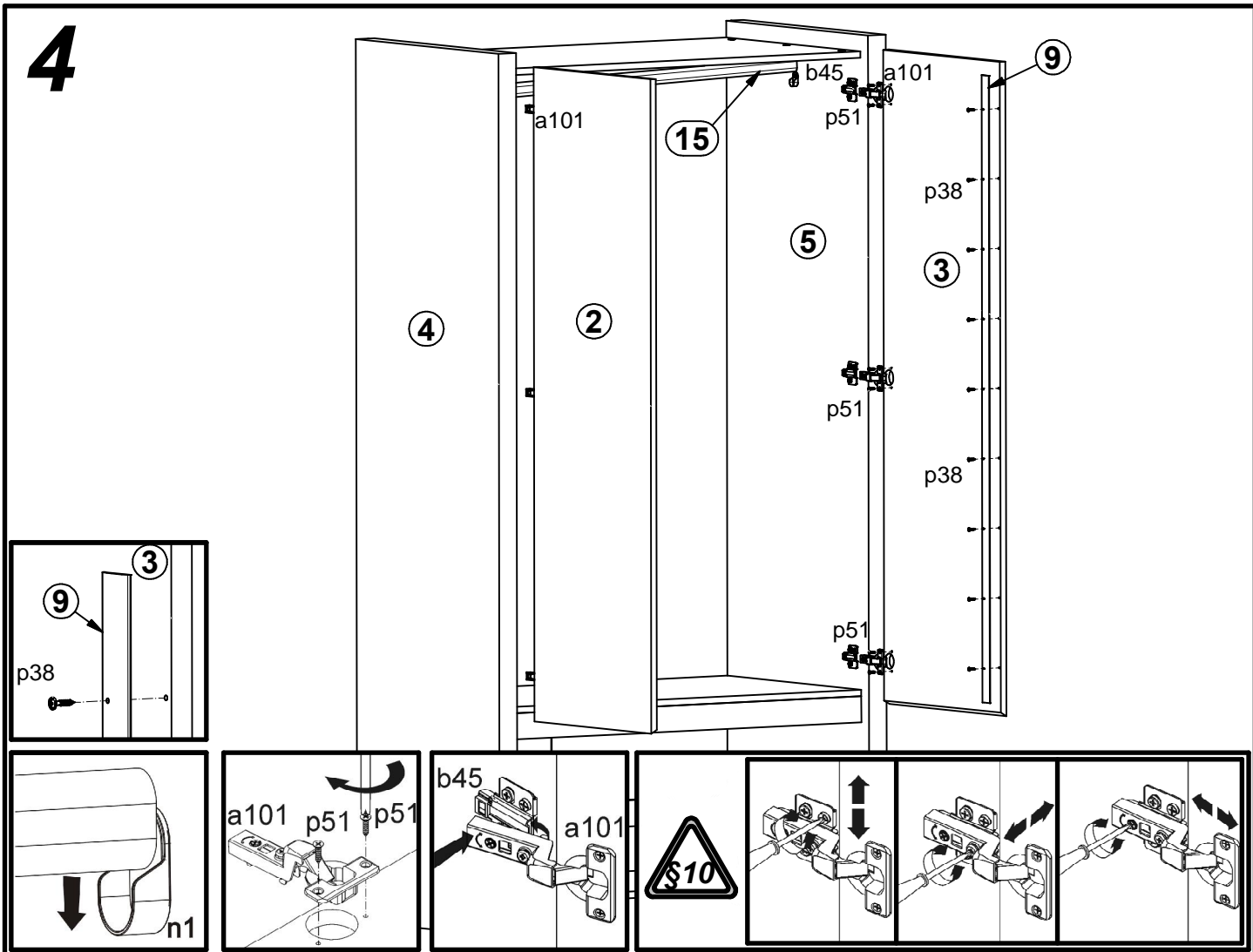
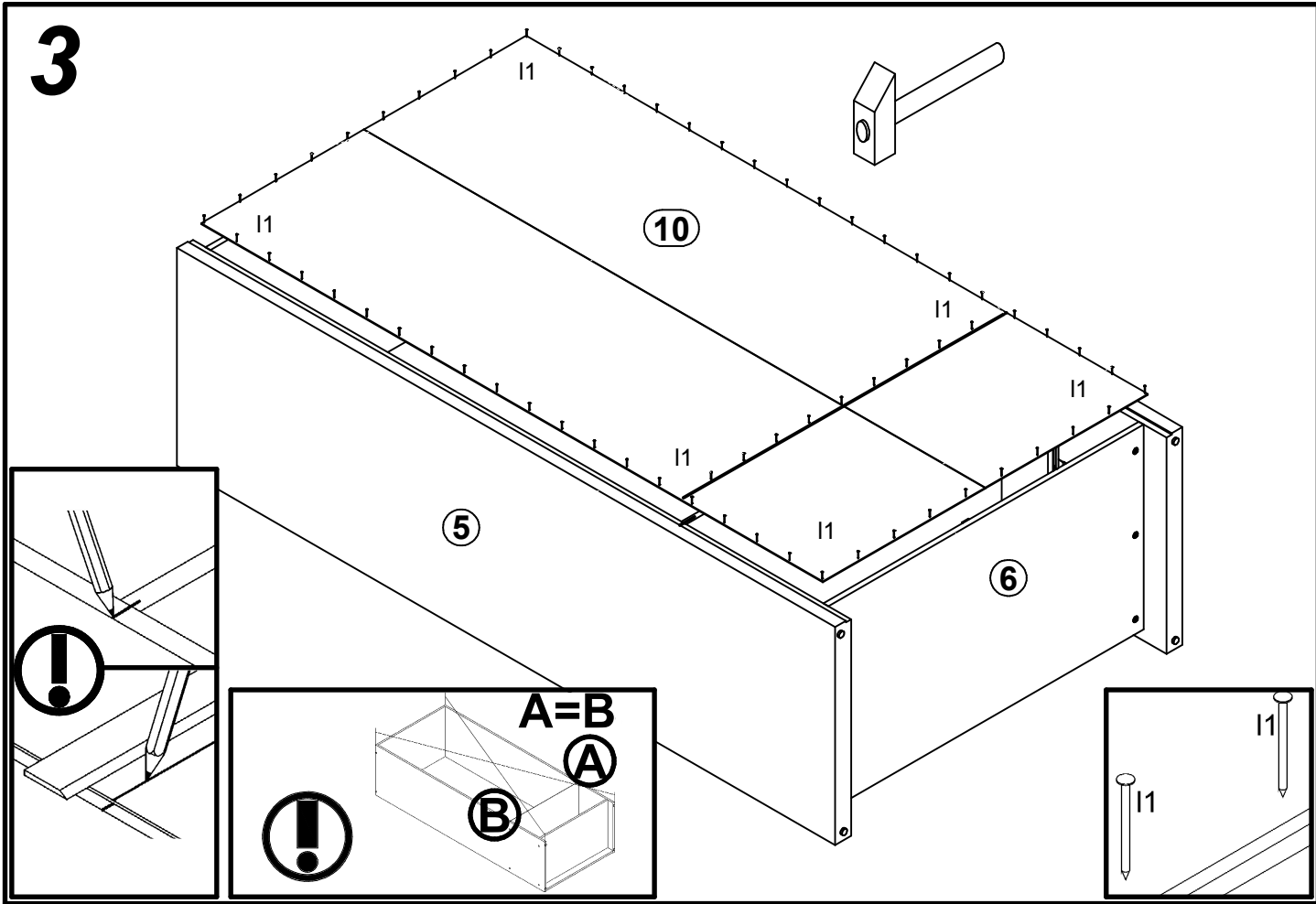
6x a101	6x H10.5 b45	8x φ6x13 mm e3	20x φ8x30 mm f1	8x φ6.5x40 mm f25	4x k1	70x l1	2x n1	2x φ3.5x13 mm p1
2x φ3.5x16 mm p25	2x φ3.5x10 mm p35	25x φ3.5x16 mm p38	12x φ3.5x15 mm p51	18x φ1.5x12mm #16 r1	8x φ12x10.5mm #12 r15	26x r42	2x 500 mm t34	2x L-510 mm w98\2L
2x L-510 mm w98\2P	1x n26\1	1x φ3.5x16 mm p38						

1



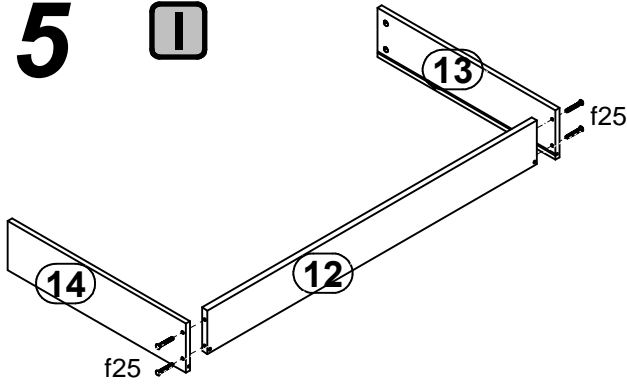
2



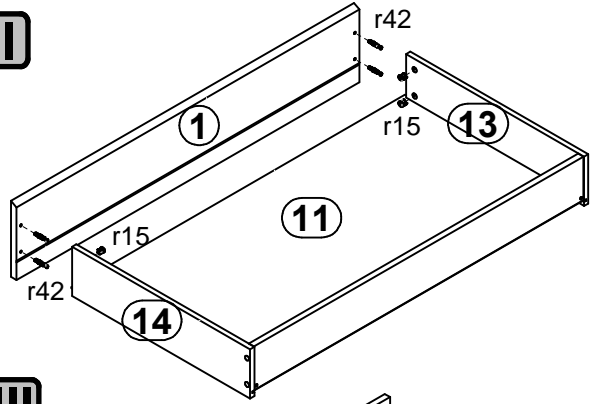


5

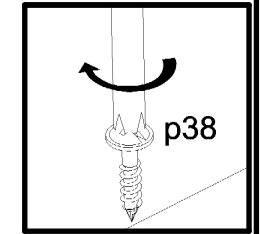
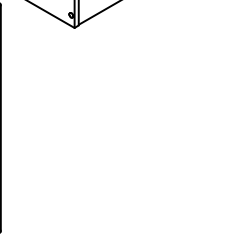
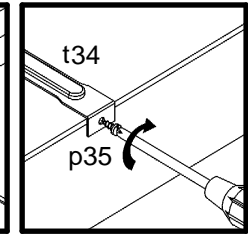
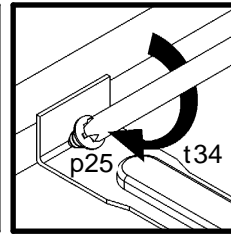
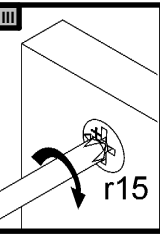
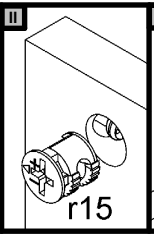
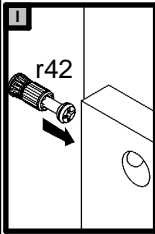
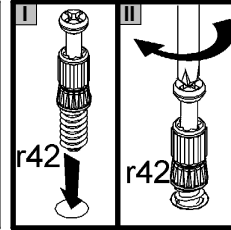
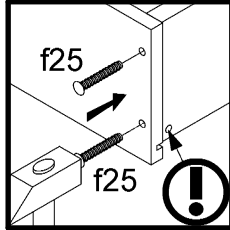
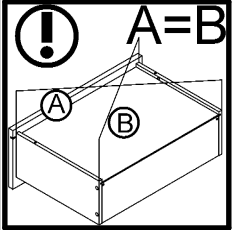
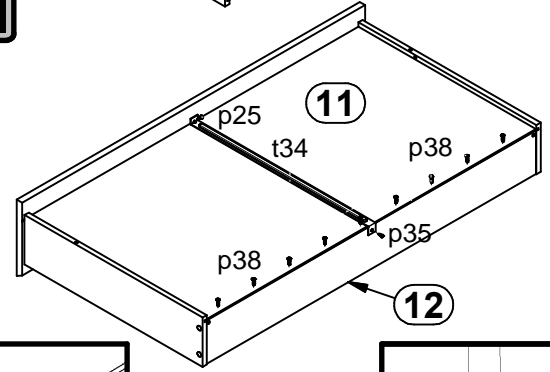
I



II



III



6

