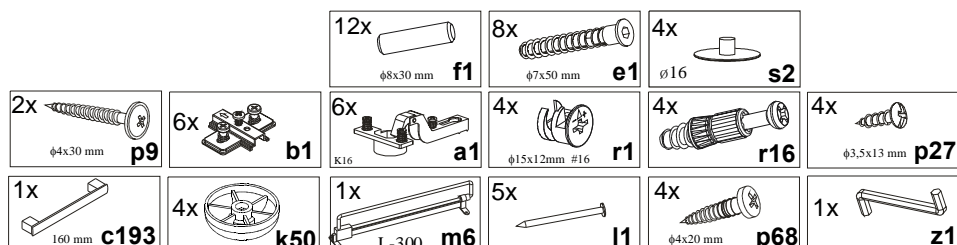
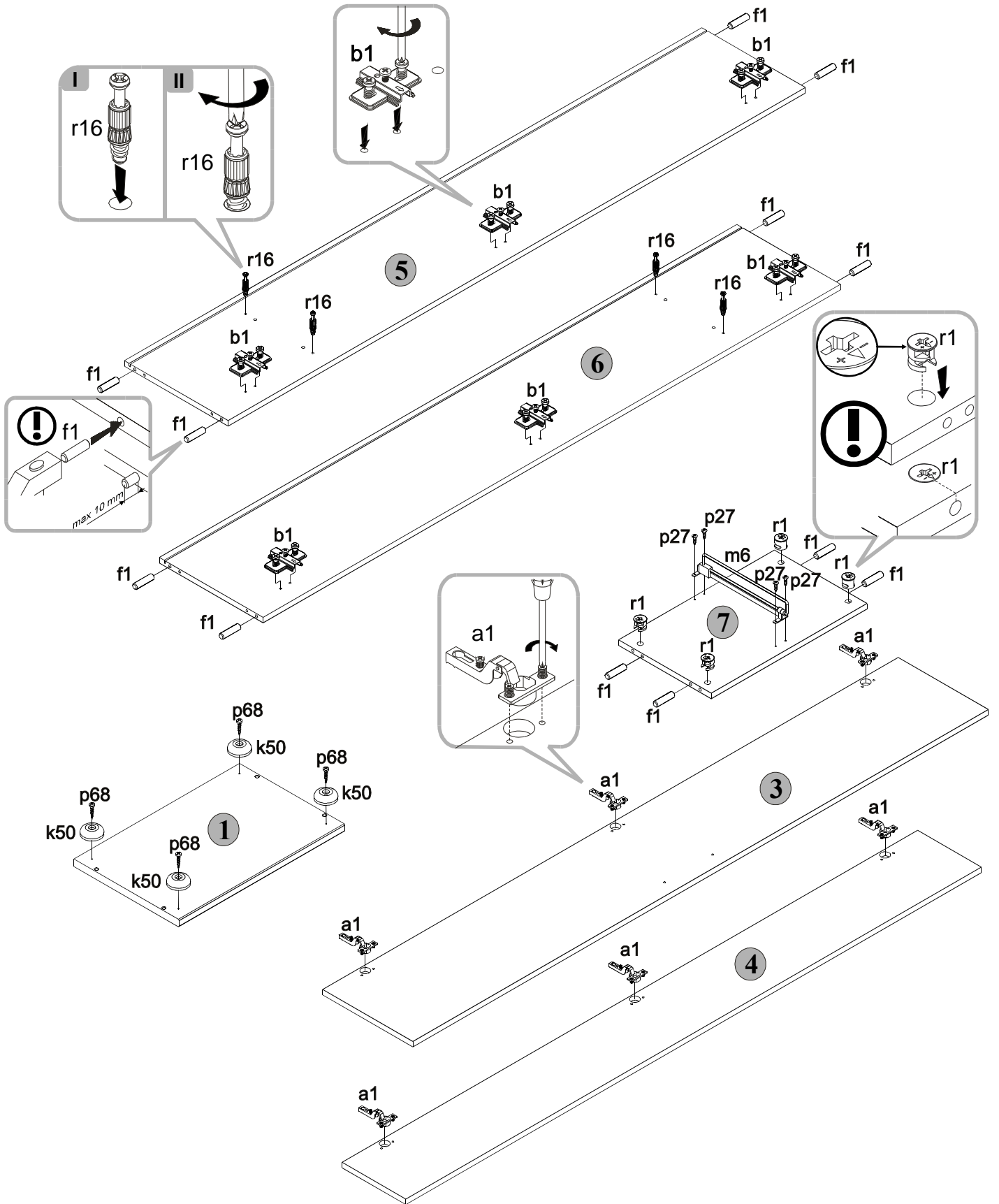


A	B	C	D
1	S 19-258	551x350	2/4
2	S 19-259	551x350	2/4
3	S 19-057	1914x300	2/4
4	S 19-058	1914x212	2/4
5	S 19-1155	1920x345	2/4
6	S 19-1156	1920x345	2/4
7	S 19-3306	518x308	2/4
8	S 19-983	1934x531	2/4

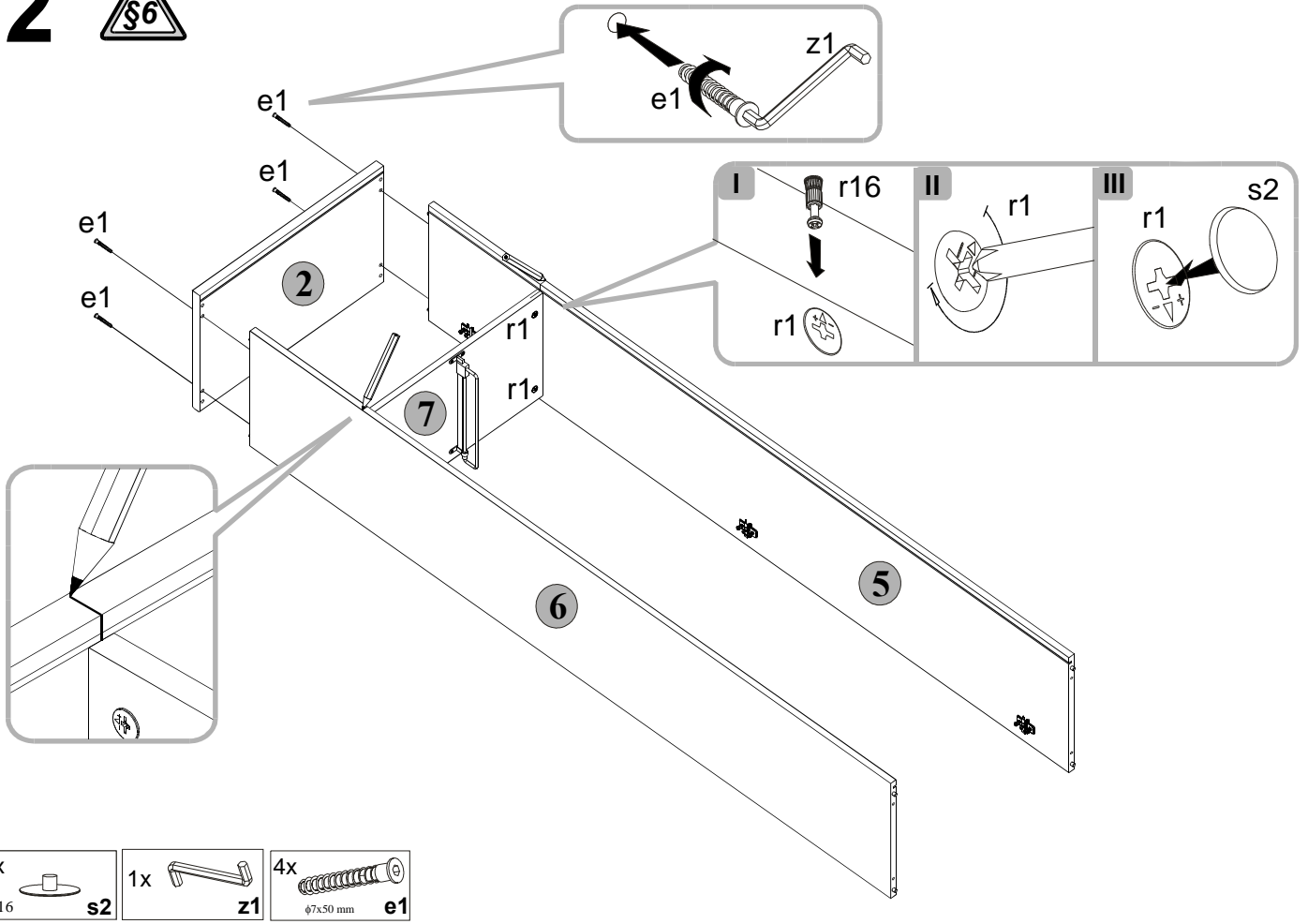


1



6x b1 K16	6x a1	4x k50	1x L-300 m6	4x p27 φ3.5x13 mm	12x f1 φ8x30 mm	4x r1 φ15x12mm #16	4x r16	4x p68 φ4x20 mm
----------------------------	---------------------	----------------------	---------------------------	------------------------------------	----------------------------------	-------------------------------------	----------------------	----------------------------------

2



3

