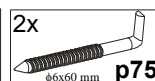
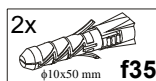
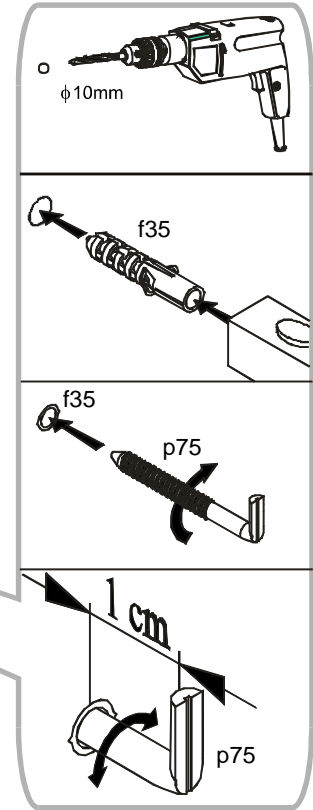
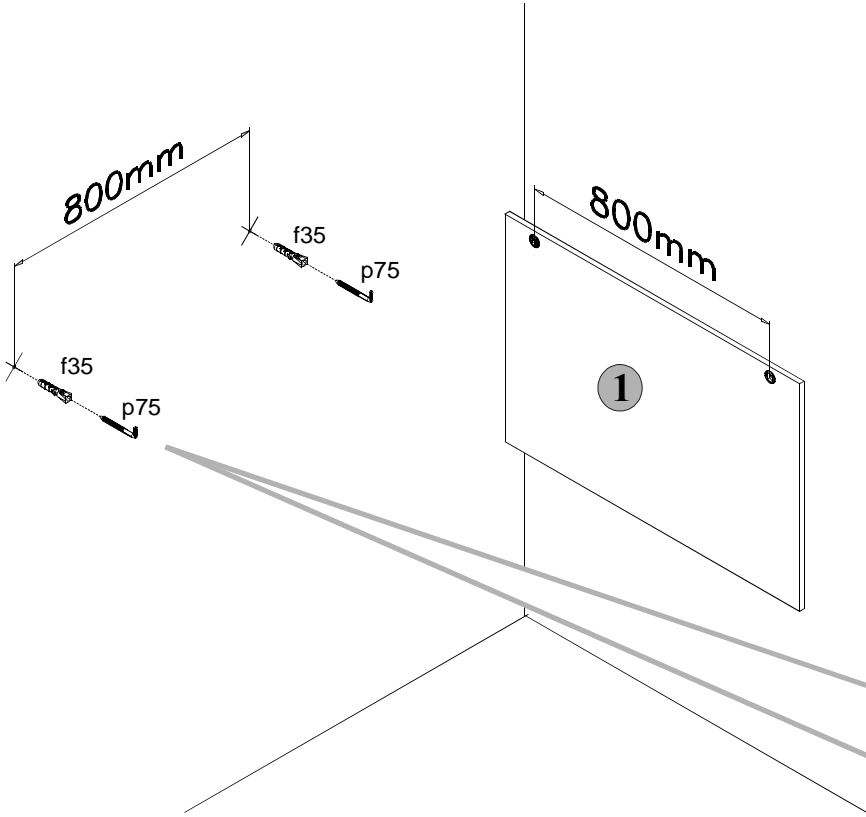


A	B	C	D
1	S19-572	1000x670	4/4



1



2

