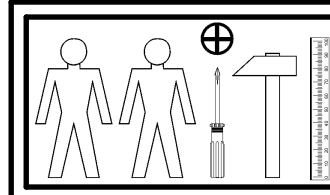
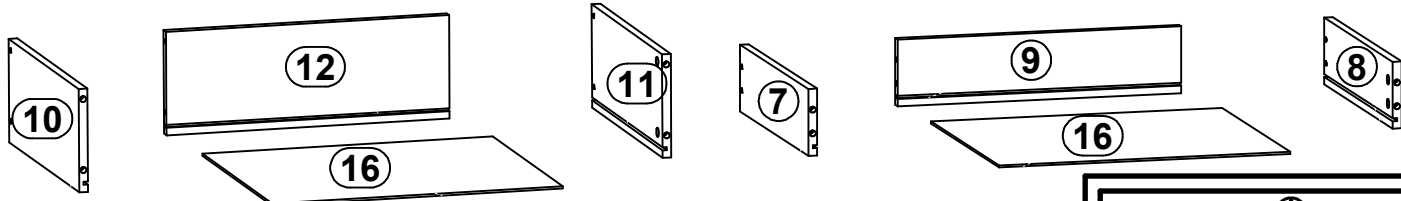
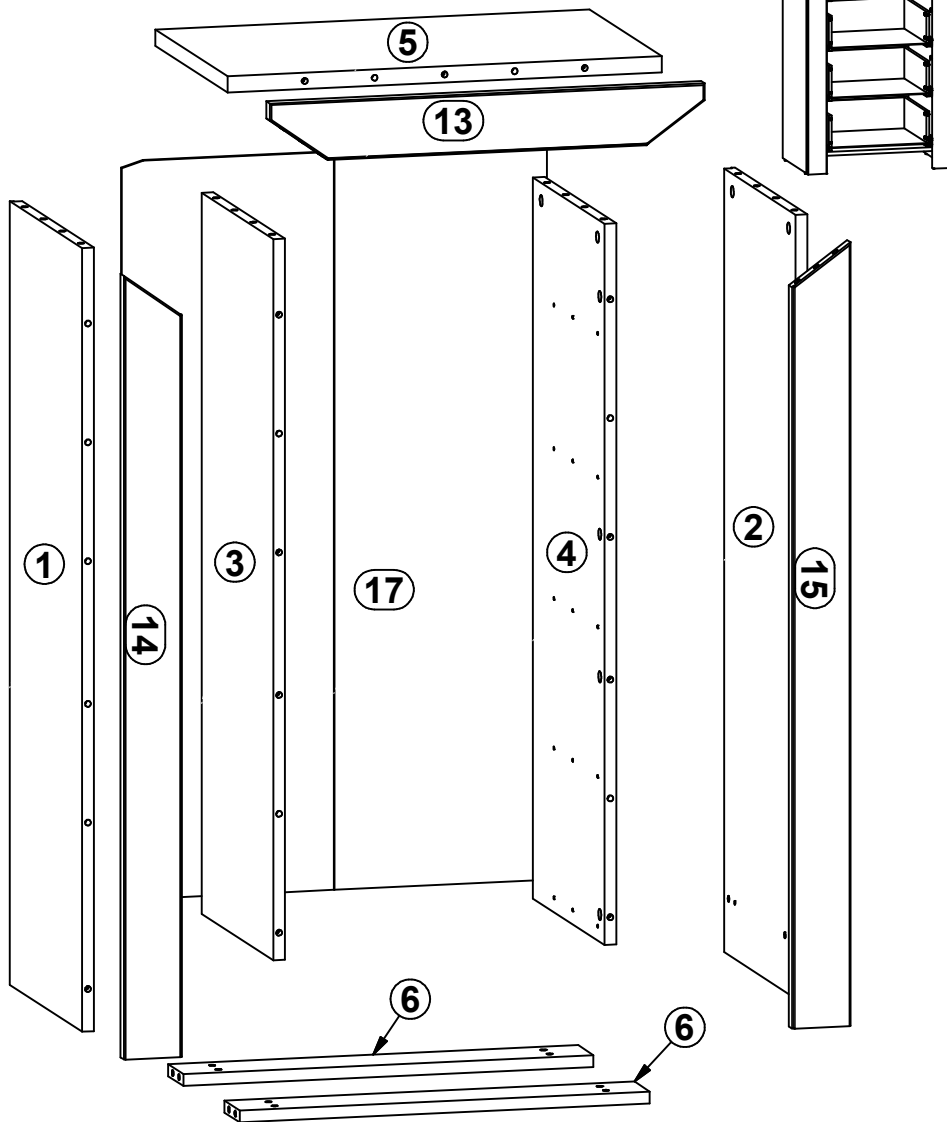
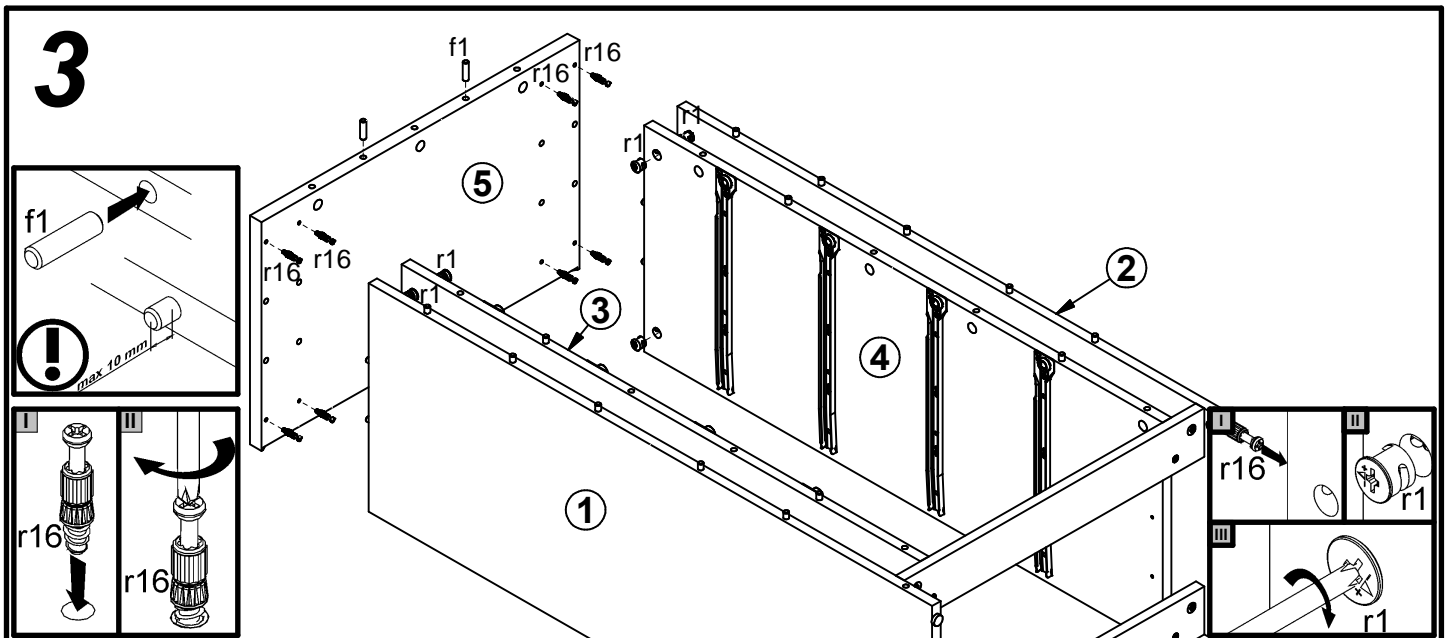
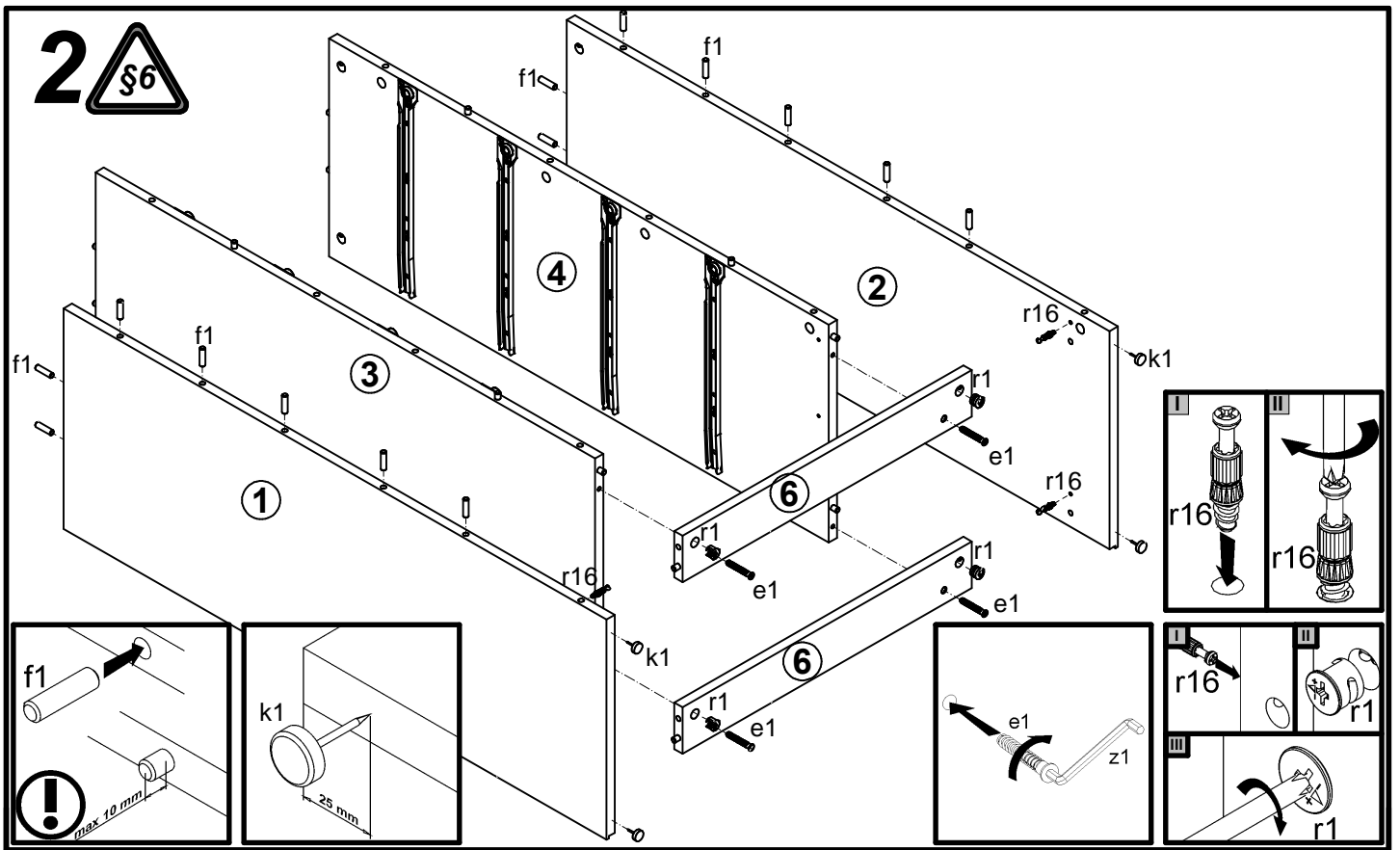
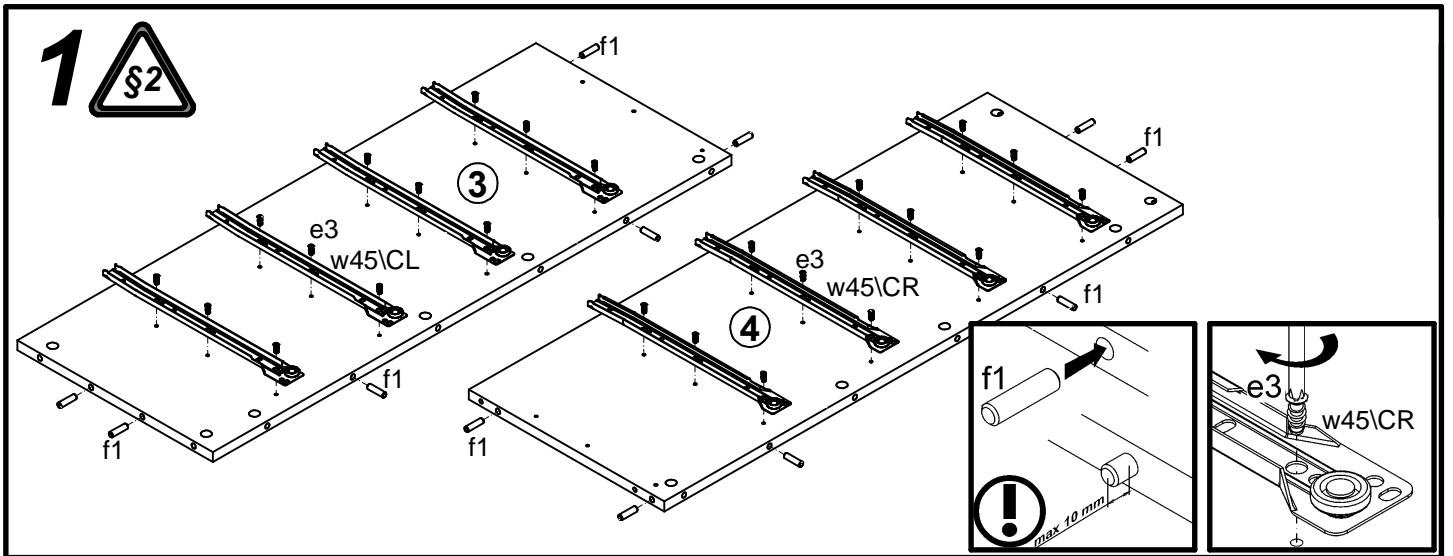


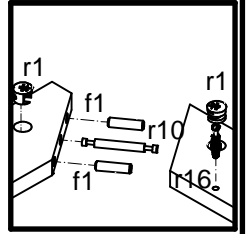
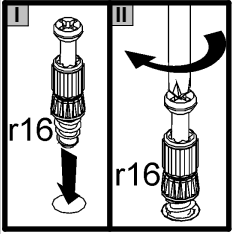
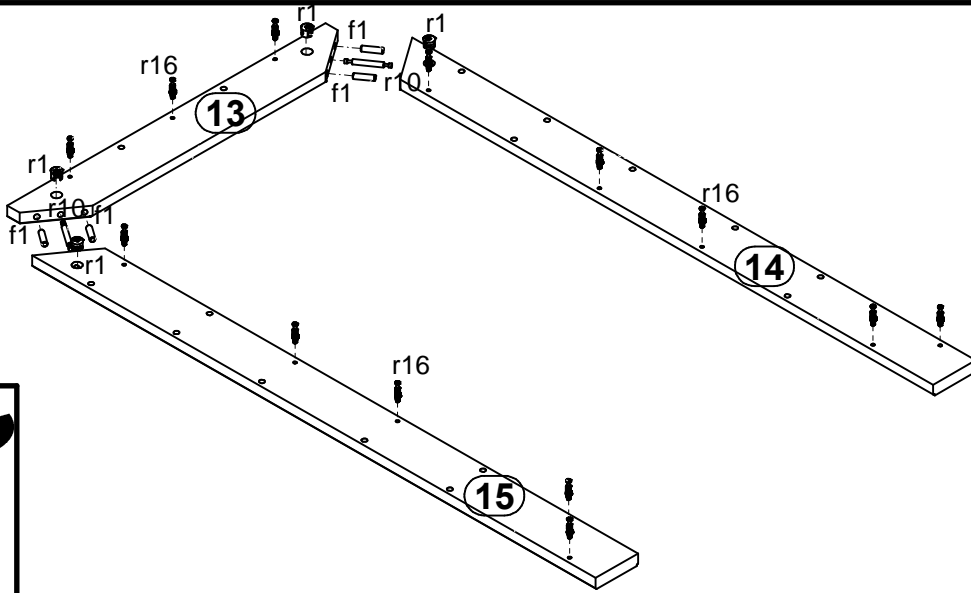
| A | B | C | D | |
|----|----------|------|-----|-----|
| 1 | S82-116 | 1055 | 370 | 1/3 |
| 2 | S82-117 | 1055 | 370 | 1/3 |
| 3 | S82-120 | 971 | 366 | 1/3 |
| 4 | S82-121 | 971 | 366 | 1/3 |
| 5 | S82-201 | 595 | 370 | 1/3 |
| 6 | S82-404 | 562 | 78 | 1/3 |
| 7 | S82-501 | 350 | 90 | 1/3 |
| 8 | S82-502 | 350 | 90 | 1/3 |
| 9 | S82-503 | 389 | 90 | 1/3 |
| 10 | S82-510 | 350 | 140 | 1/3 |
| 11 | S82-511 | 350 | 140 | 1/3 |
| 12 | S82-513 | 389 | 140 | 1/3 |
| 13 | S82-558 | 596 | 80 | 2/3 |
| 14 | S82-560 | 1055 | 80 | 2/3 |
| 15 | S82-561 | 1055 | 80 | 2/3 |
| 16 | S82-901 | 399 | 348 | 1/3 |
| 17 | S82-9902 | 994 | 583 | 1/3 |



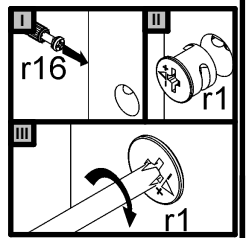
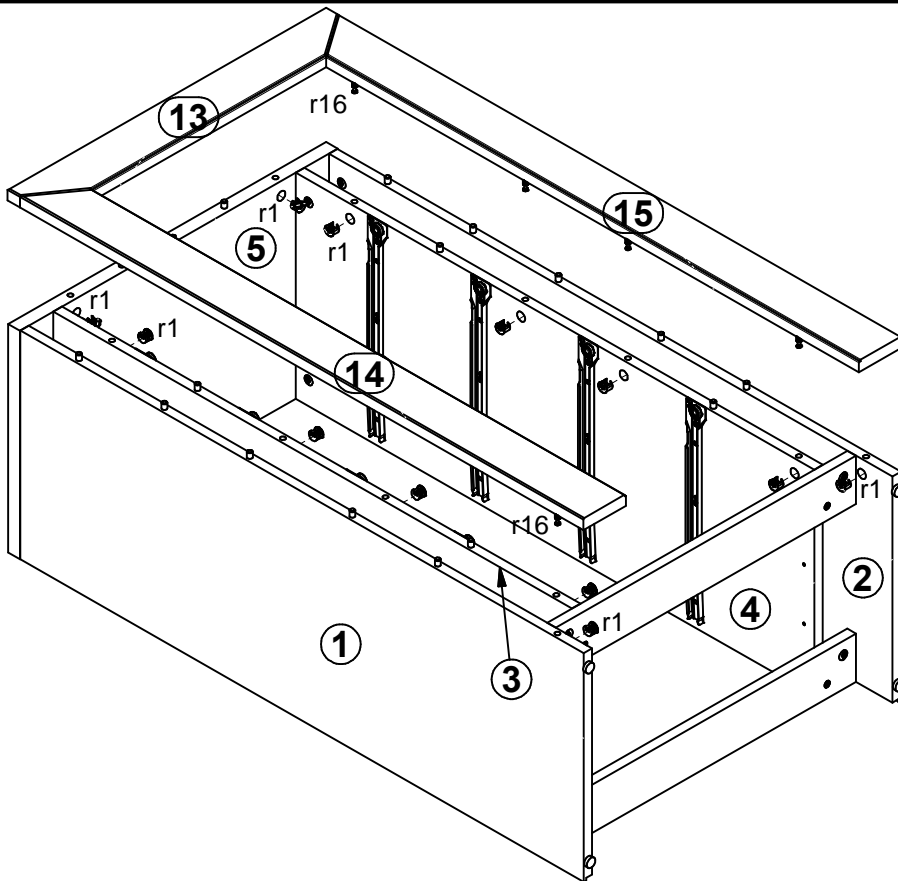
| | | | | | | | | |
|---|----------------------------------|-----------------------------------|-------------------------------------|-----------------------------------|-----------------------------------|-----------------------------------|---------------------------------------|------------------------------------|
| 4x φ7x50 mm e1 | 30x φ6x13 mm e3 | 36x φ8x30 mm f1 | 20x φ6.5x40 mm f25 | 4x k1 | 35x l1 | 20x φ3x12 mm p54 | 29x φ1.5x12mm #16 r1 | 2x r10 |
| 20x φ12x10.5mm #12 r15 | 45x r16 | 5x 350 mm w45\CL | 5x 350 mm w45\CR | 5x 350 mm w45\DL | 5x 350 mm w45\DR | 1x z1 | 1x n26\1 | 1x φ3.5x16 mm p38 |



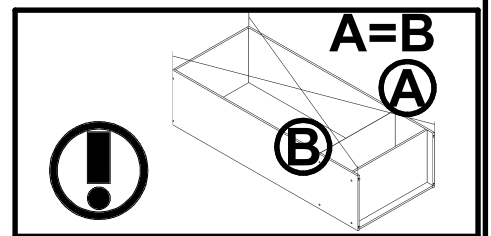
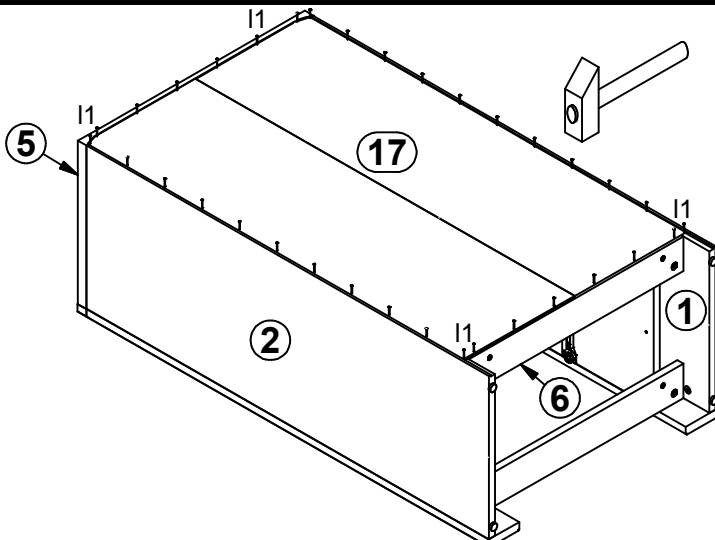
4



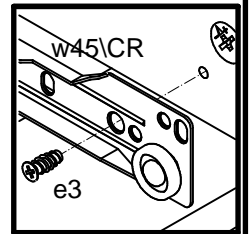
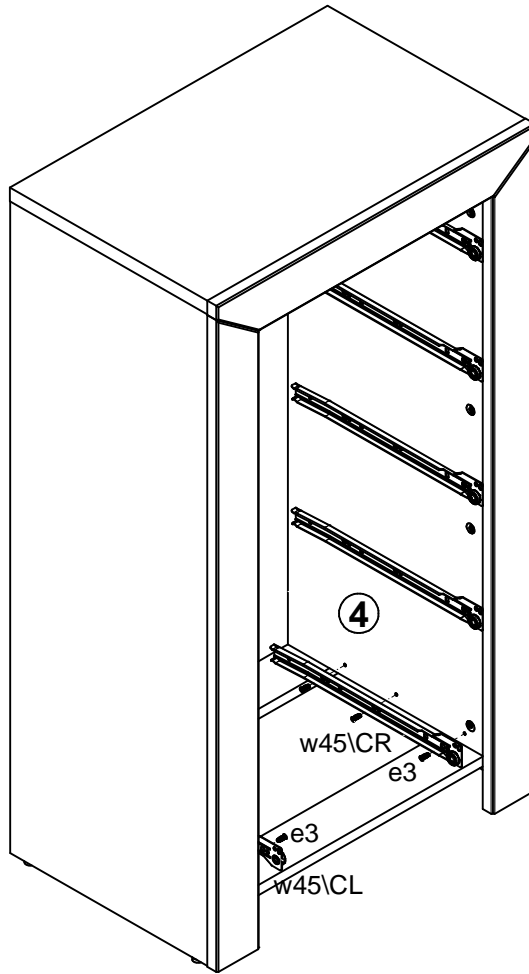
5



6



7



8

