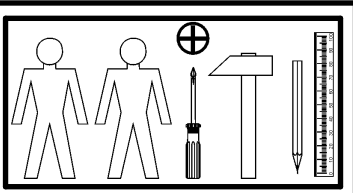
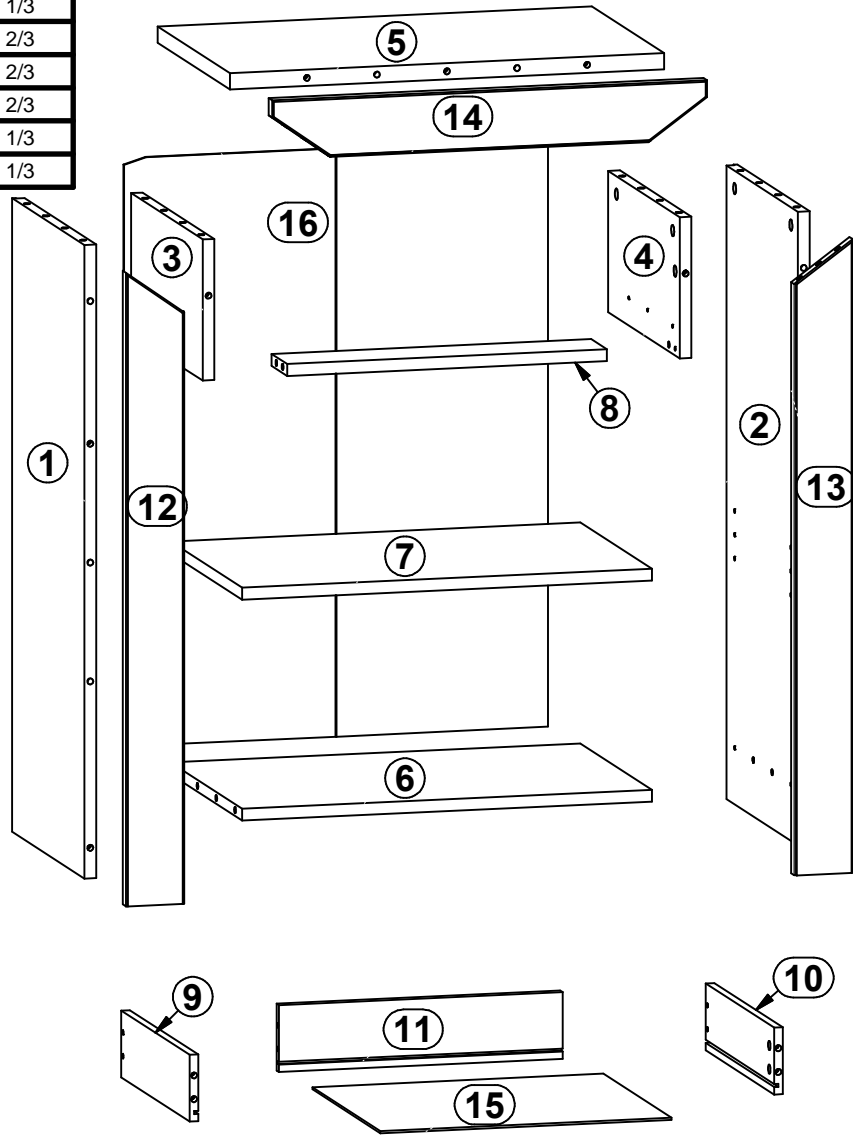
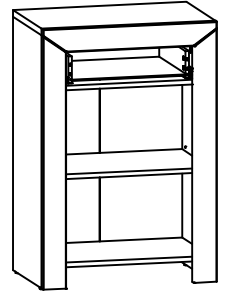
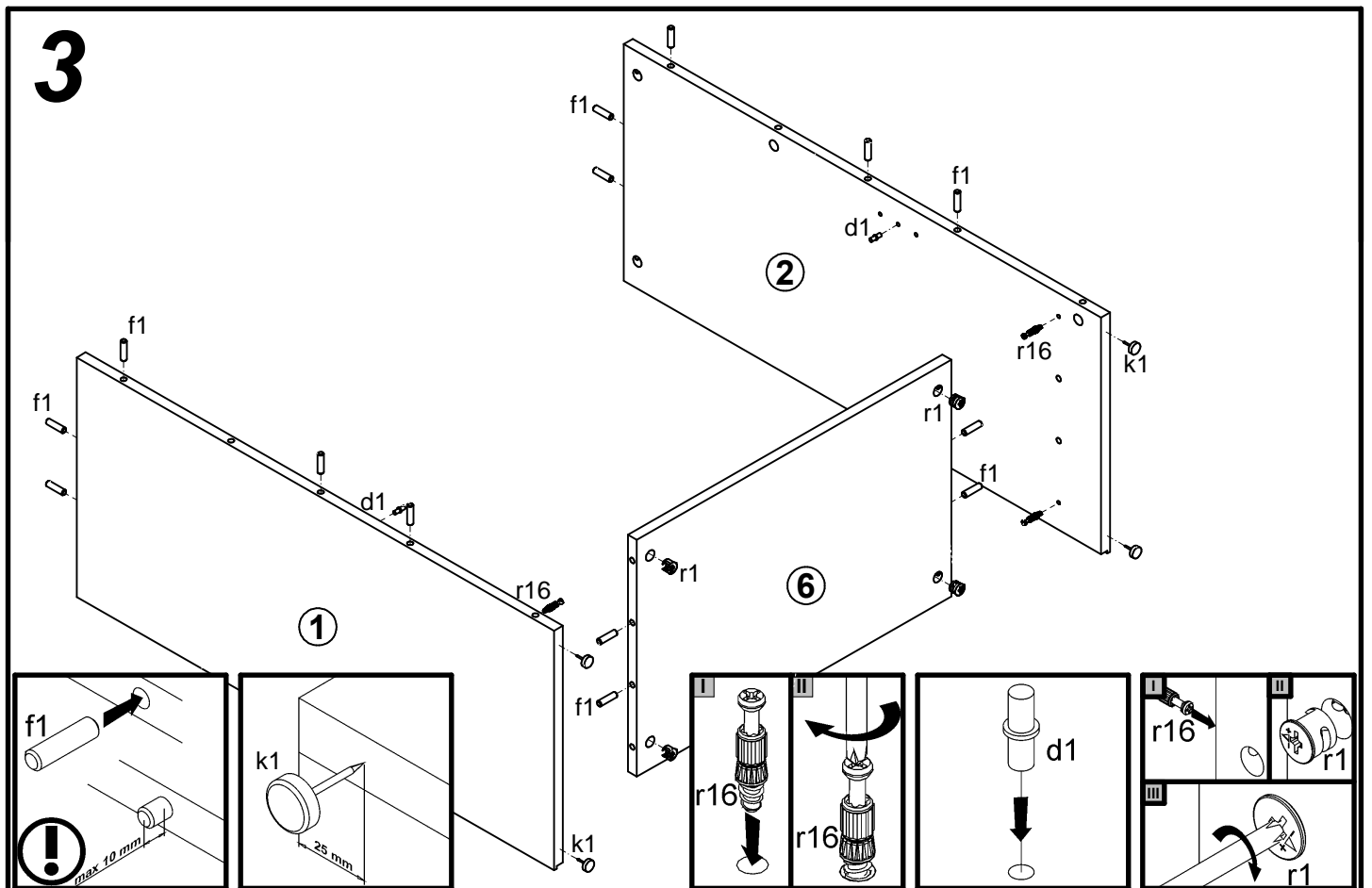
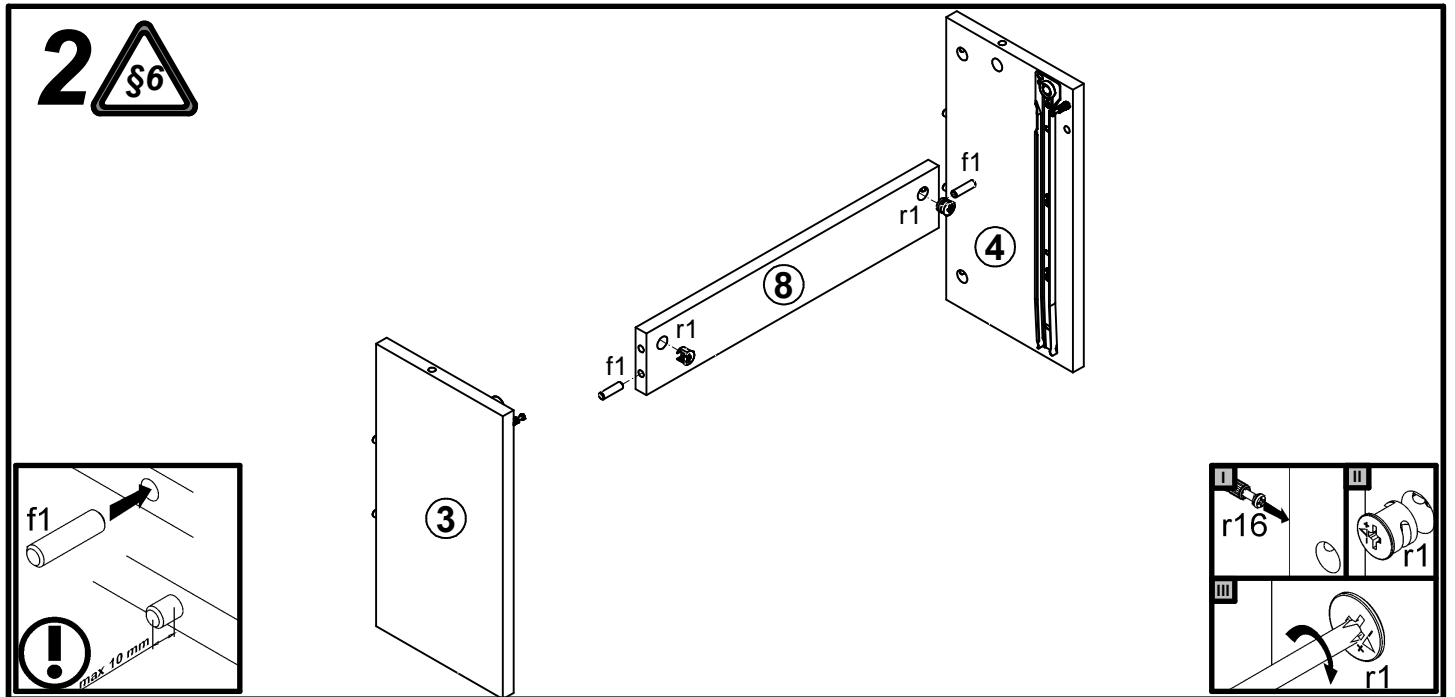
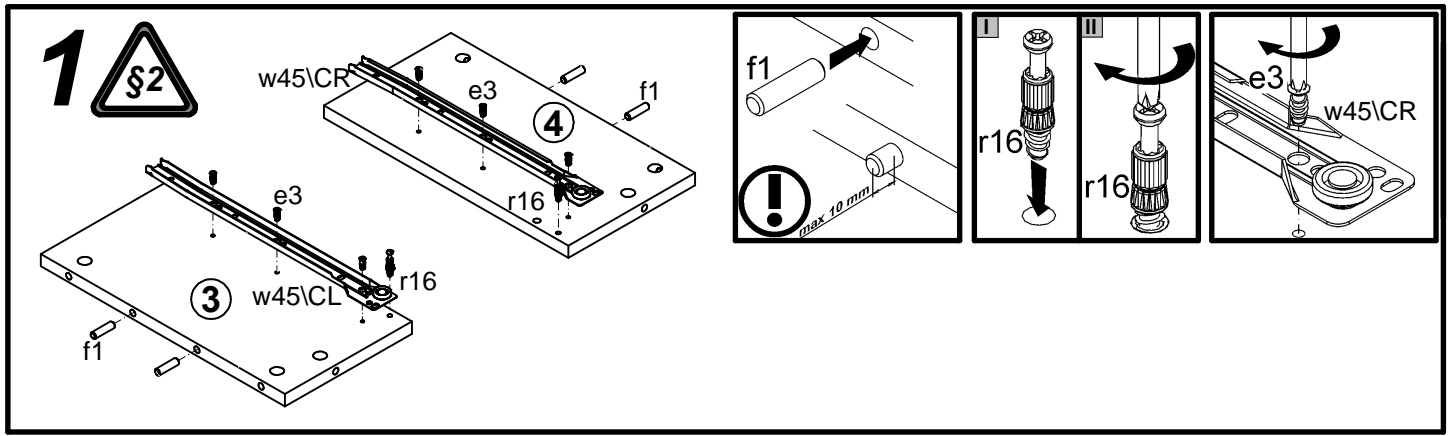
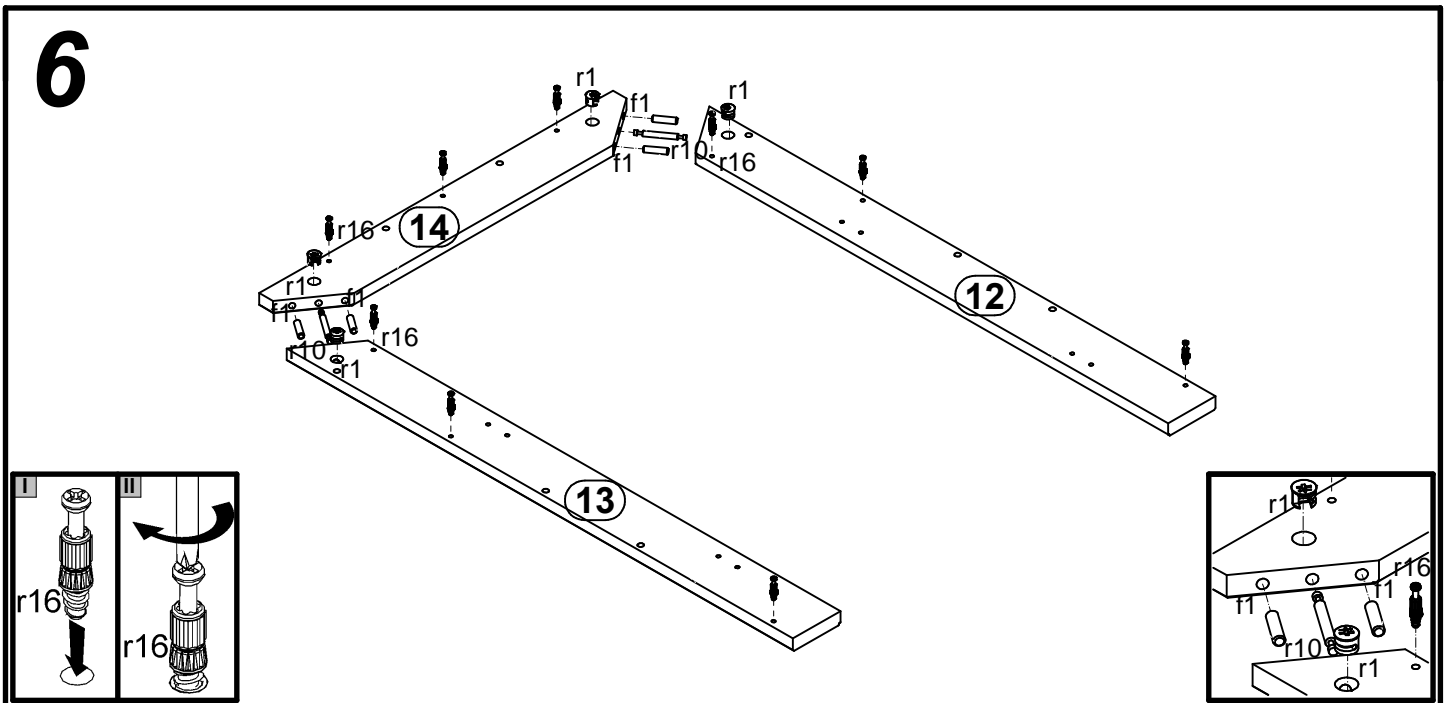
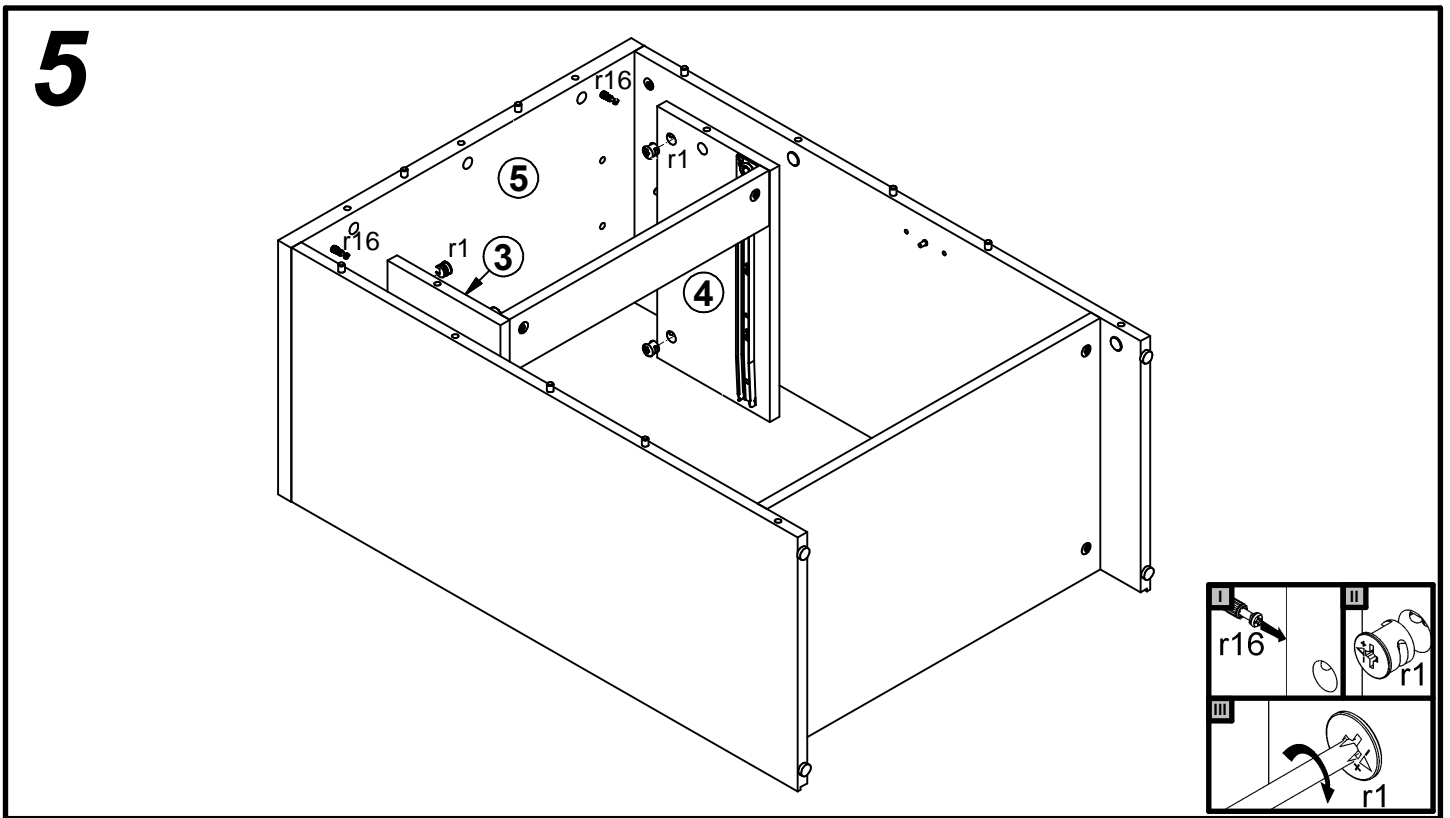
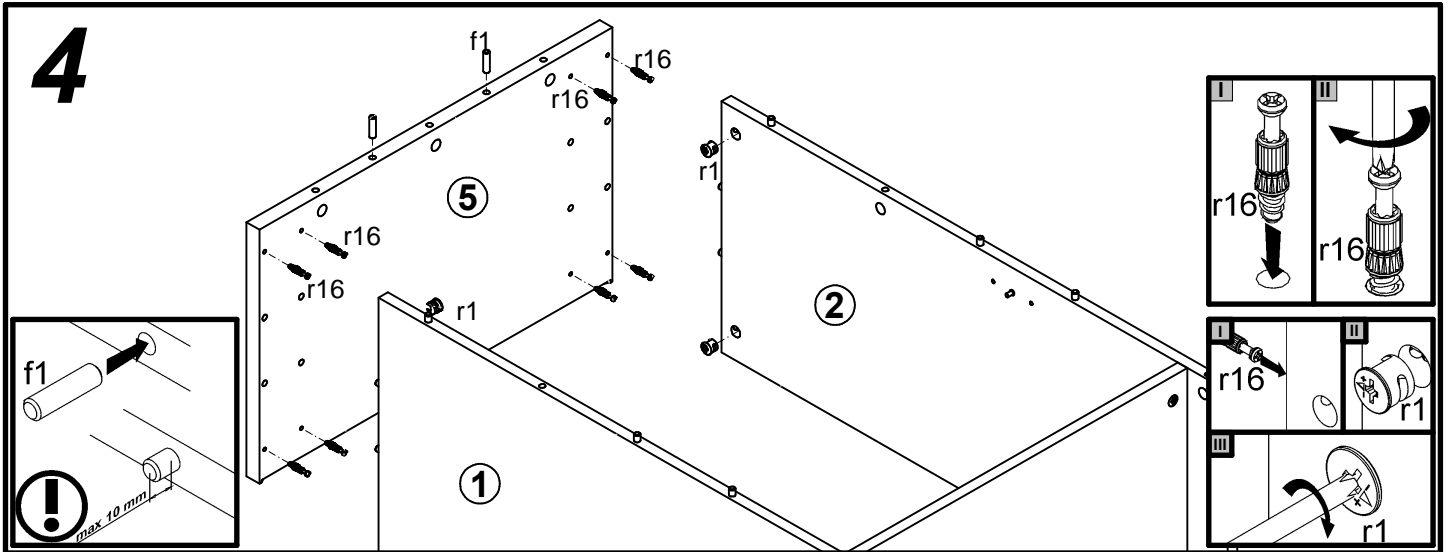


A	B	C	D
1	S82-101	853	370
2	S82-102	853	370
3	S82-105	190	366
4	S82-107	190	366
5	S82-201	595	370
6	S82-301	562	366
7	S82-302	562	366
8	S82-401	438	80
9	S82-501	350	90
10	S82-502	350	90
11	S82-503	389	90
12	S82-556	853	80
13	S82-557	853	80
14	S82-558	596	80
15	S82-901	399	348
16	S82-9901	792	581

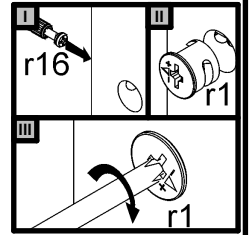
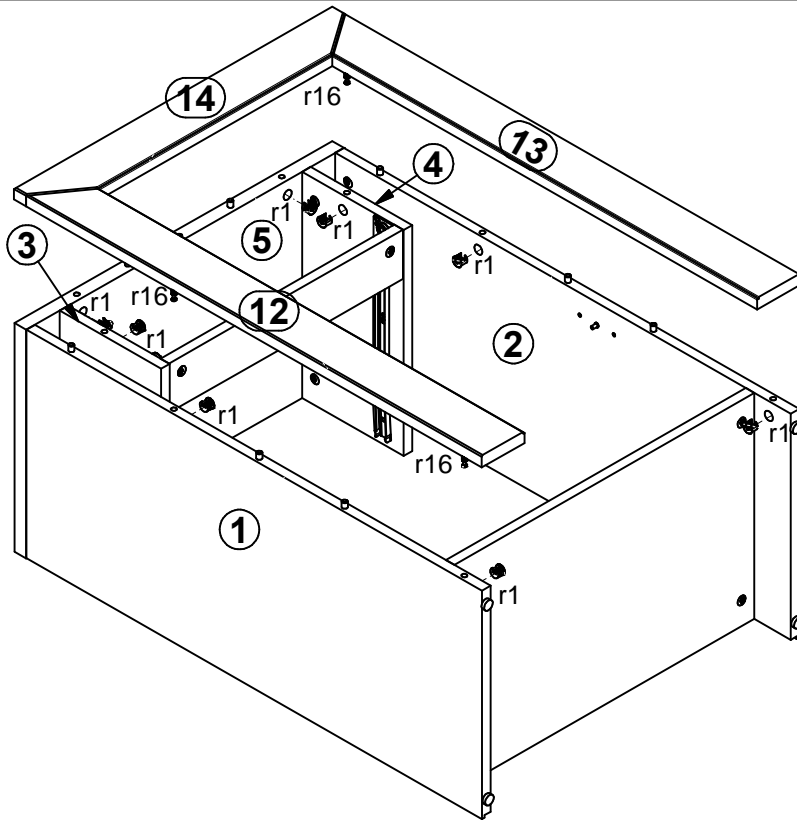


4x φ5x17 mm d1	6x φ6x13 mm e3	26x φ8x30 mm f1	4x φ6.5x40 mm f25	4x k1	34x l1	27x φ1.5x12mm #16 r1	4x φ3x12 mm p54	2x r10
4x φ12x10.5mm #12 r15	27x r16	6x ø16 s2	1x 350 mm w45\CL	1x 350 mm w45\CR	1x 350 mm w45\DL	1x 350 mm w45\DR	1x n26\1	1x φ3.5x16 mm p38

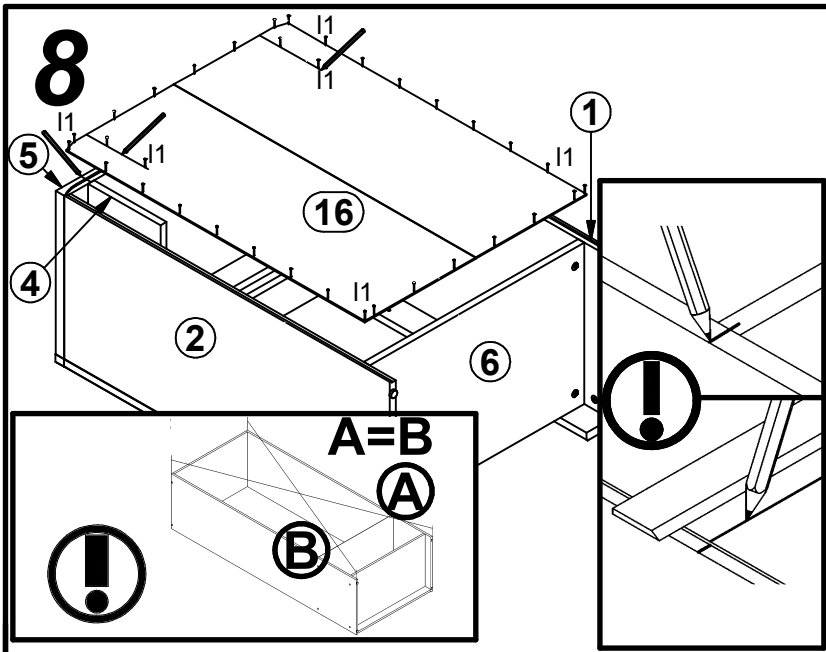




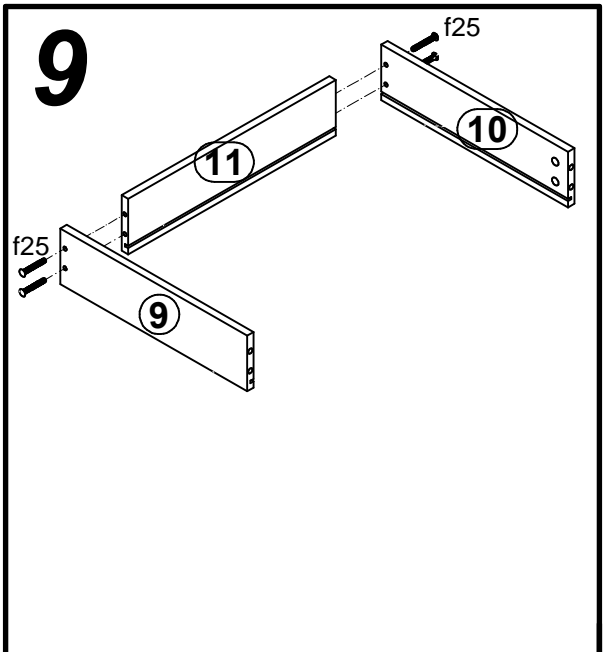
7



8



9



10

