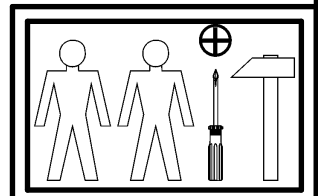
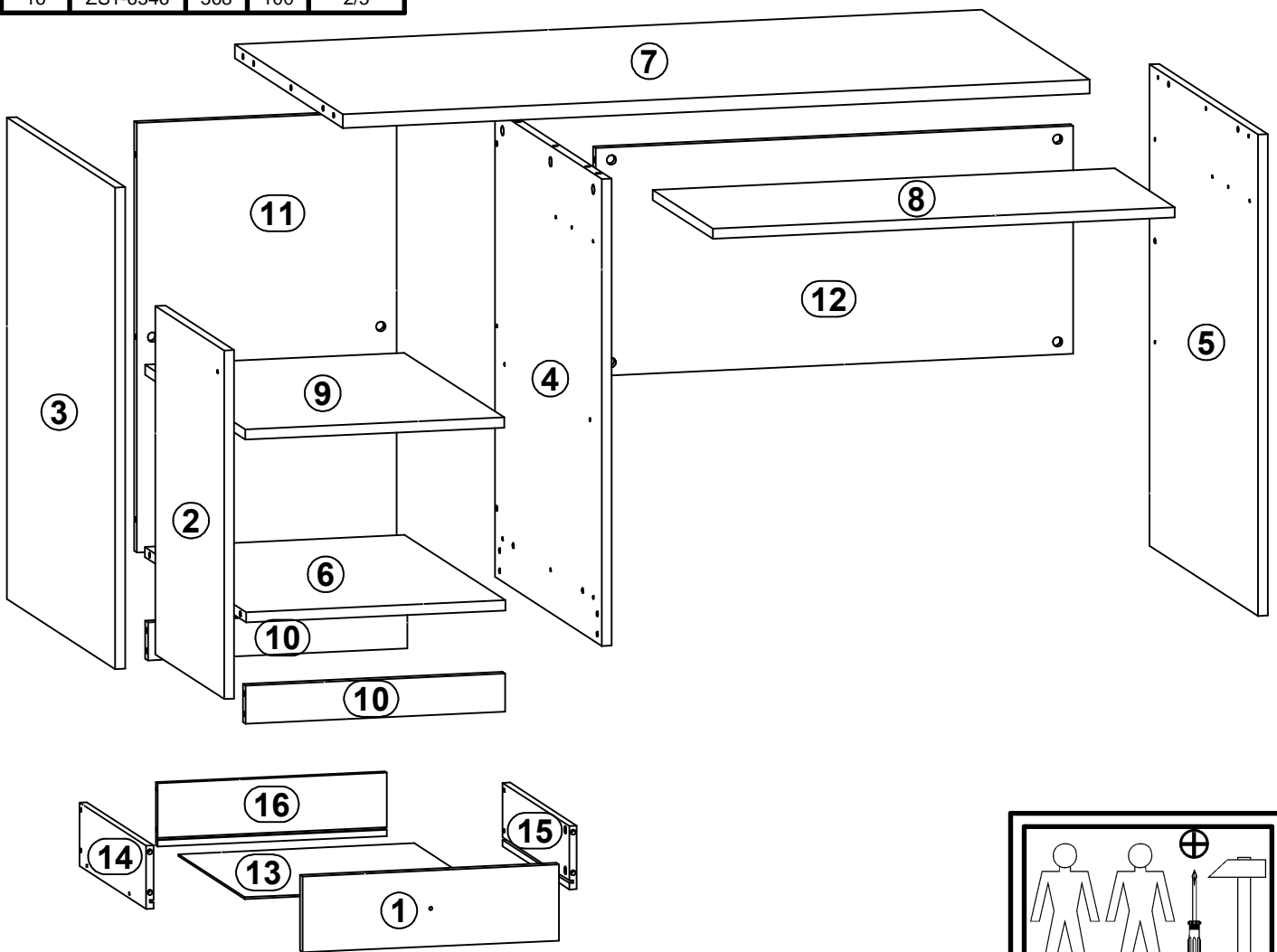
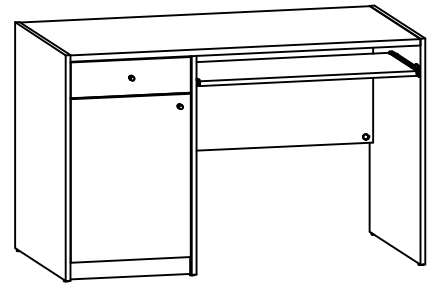


LENDI

S95-BIU1D1S

A	B	C	D	
1	S95-006	412	120	4/5
2	S95-010	550	412	4/5
3	S95-122	760	650	1/5
4	S95-123	737	640	1/5
5	S95-124	760	650	1/5
6	S95-315	417	606	2/5
7	S95-316	1200	646	3/5
8	S95-317	742	360	2/5
9	S95-318	416	600	2/5
10	S95-409	417	60	2/5
11	S95-410	678	417	2/5
12	S95-411	767	360	2/5
13	S95-908	379	398	2/5
14	ZS1-515	400	100	2/5
15	ZS1-516	400	100	2/5
16	ZS1-6546	368	100	2/5

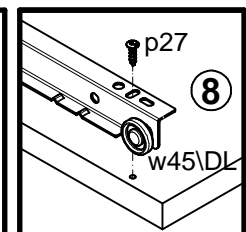
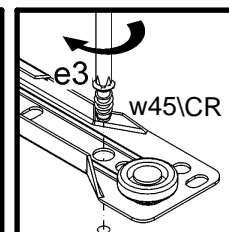
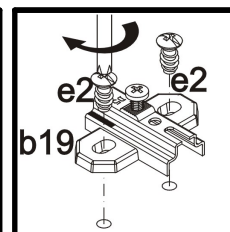
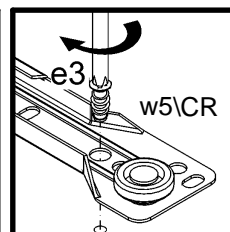
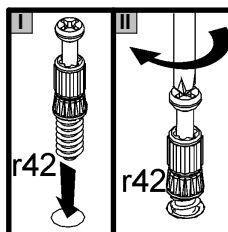
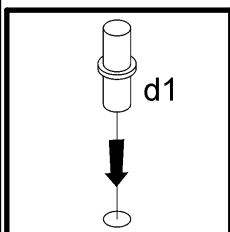
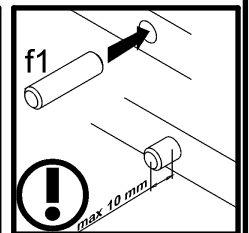
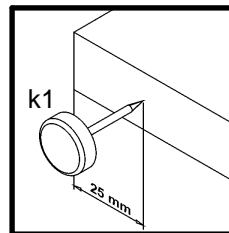
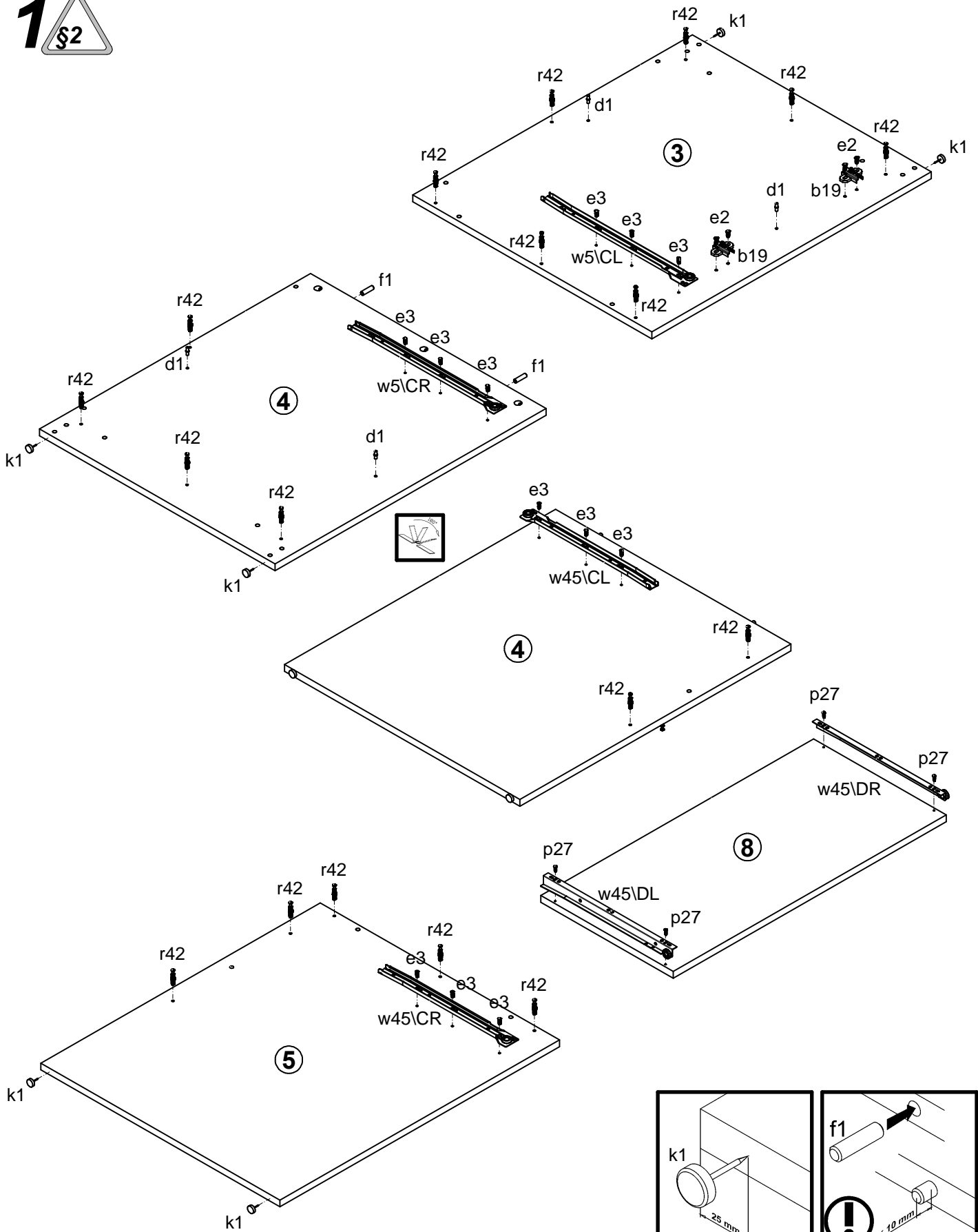


2x a43	2x b19	4x φ5x17 mm d1	4x φ5x9 mm e19	4x φ6,3x13 mm e2	12x φ6x13 mm e3
24x φ8x30 mm f1	4x φ6,5x40 mm f25	6x k1	4x φ3,5x13 mm p27	4x φ3,5x15 mm p51	21x φ1,5x12mm #16 r1
4x φ12x10,5mm #12 r15	25x r42	7x ø16 s2	1x 350 mm w45\CL	1x 350 mm w45\CR	1x 350 mm w45\DL
1x 350 mm w45\DR	1x 400 mm w5\CL	1x 400 mm w5\CR	1x 400 mm w5\DL	1x 400 mm w5\DR	

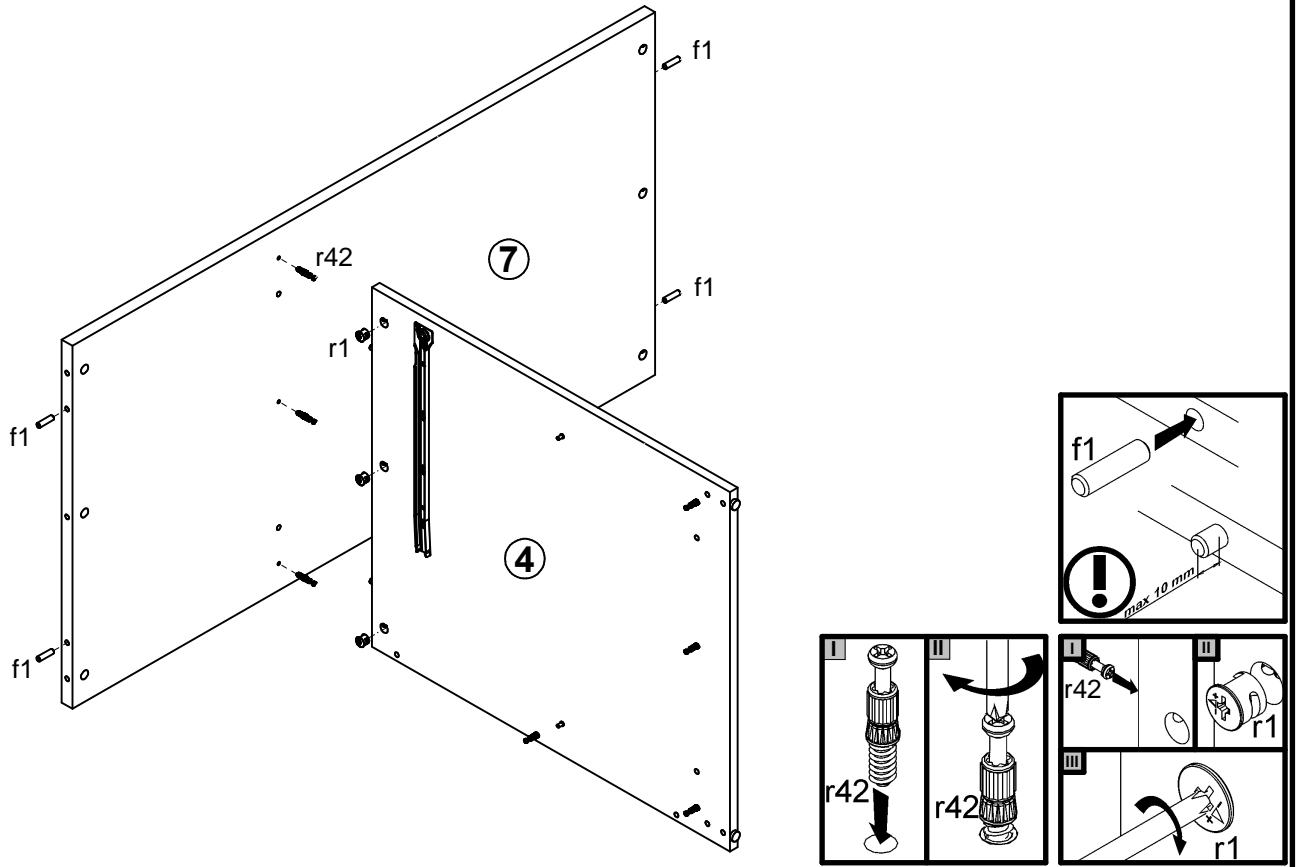


2x c286	2x φ4x25 mm p8
2x c287	2x M4x22 mm j30
2x c288	2x φ4x25 mm p8

1 §2



2



3

