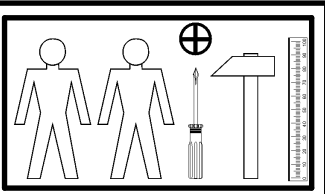
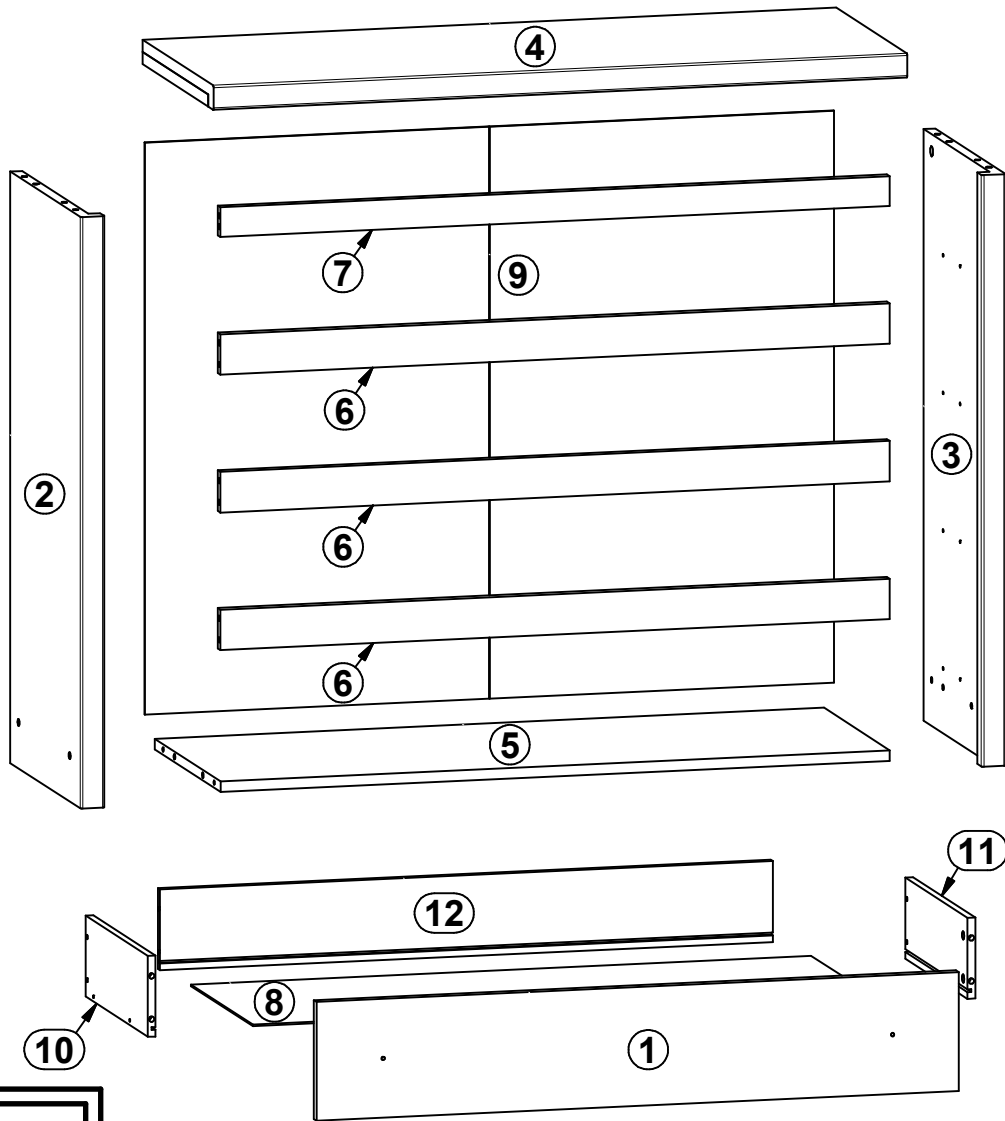
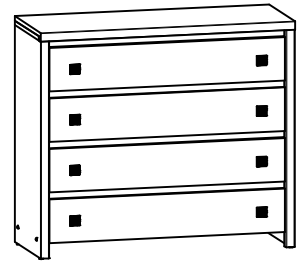


KASPIAN

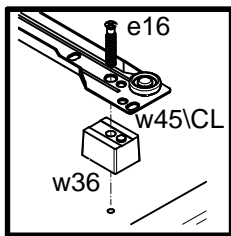
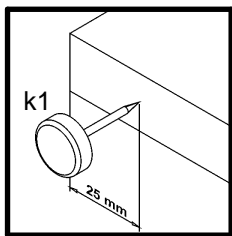
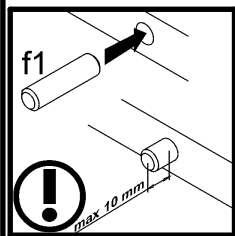
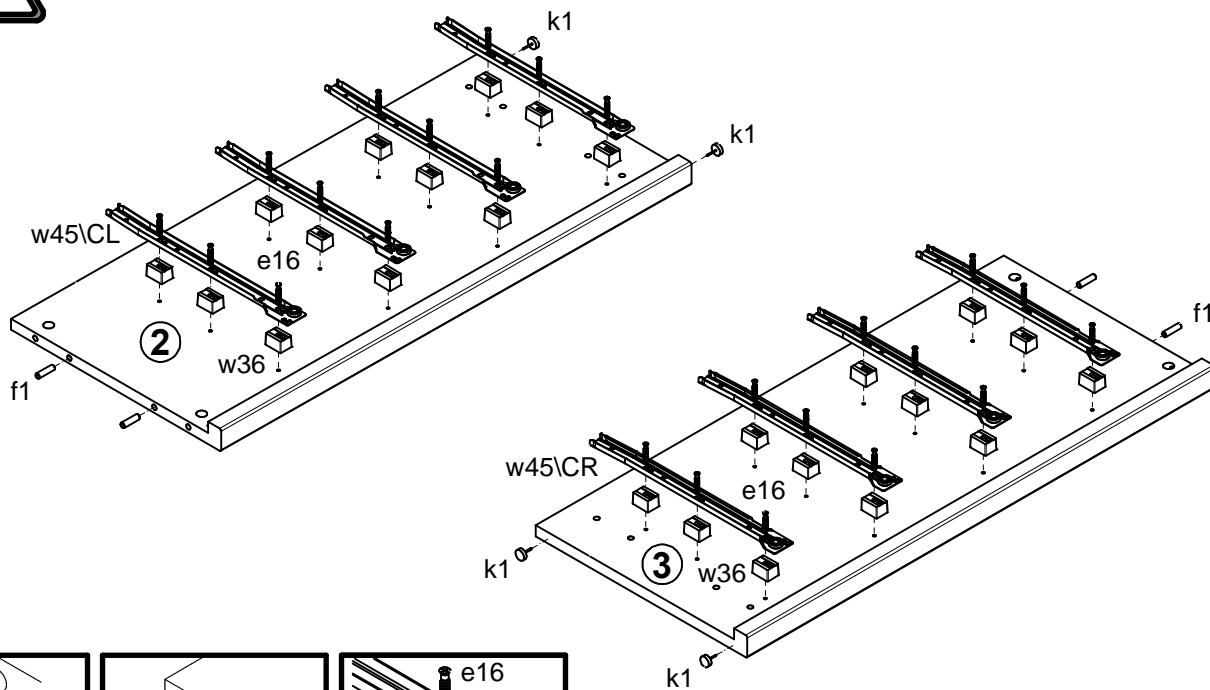
S128-KOM4S_FR2

A	B	C	D
1	S128-040	968	176
2	S128-101	876	396
3	S128-102	876	396
4	S128-201	1046	399
5	S128-301	1009	370
6	S128-402	1009	60
7	S128-403	1009	44
8	S128-906	935	348
9	S128-907	847	1039
10	ZS2-511	350	120
11	ZS2-512	350	120
12	ZS2-5520	924	120

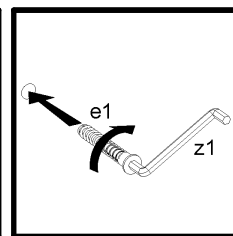
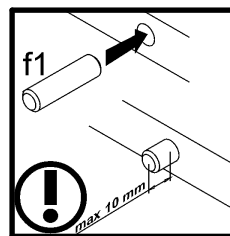
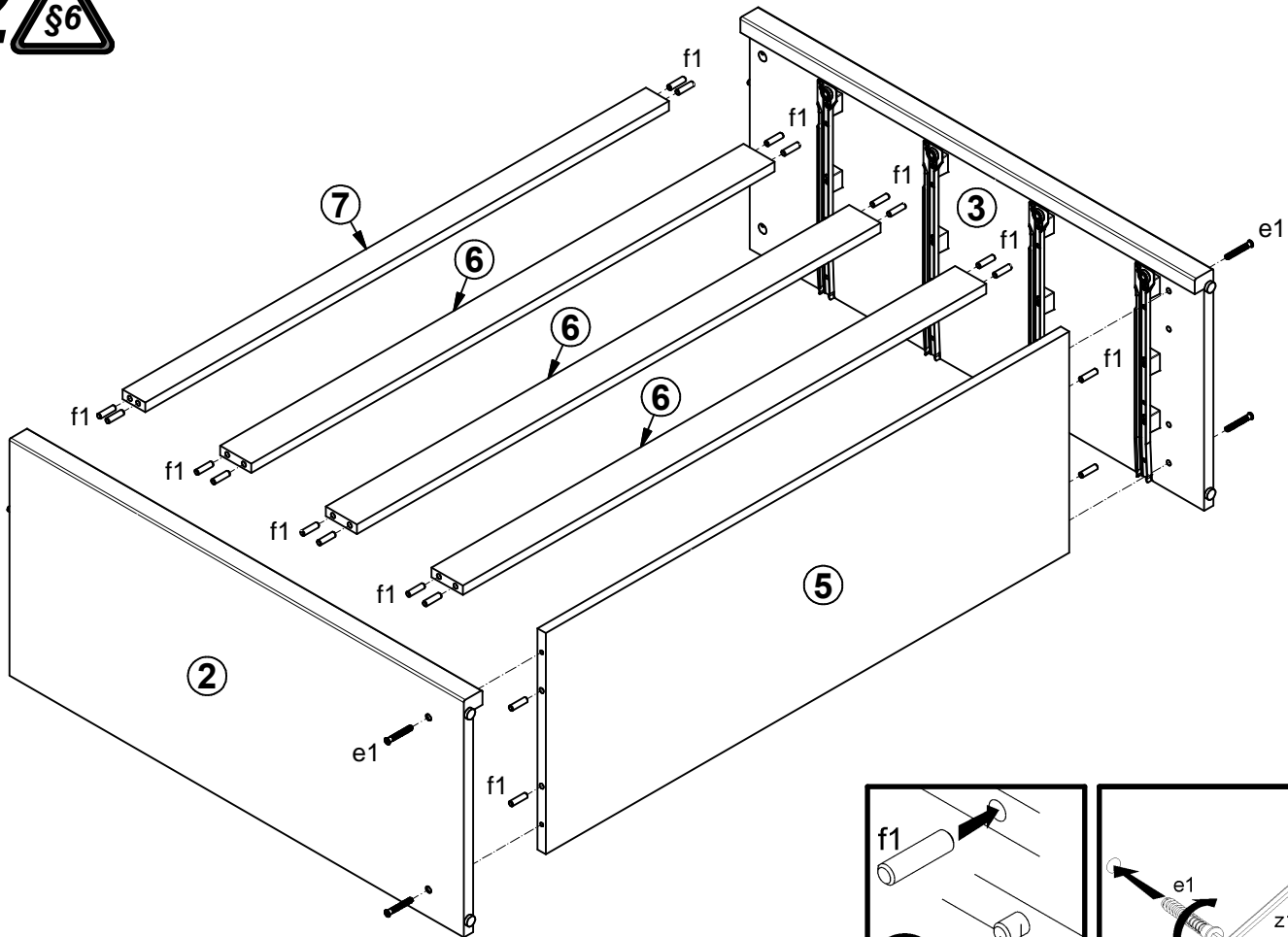


4x φ7x50 mm e1	24x φ6x30 mm e16	16x φ5x9 mm e19	24x φ8x30 mm f1	16x φ5.5x40 mm f25	4x k1	40x l1	8x φ3.5x16 mm p25	4x φ1.5x12mm #16 r1
16x φ12x10.5mm #12 r15	20x r42	4x s1	4x 333 mm t19	24x h=18 mm w36	4x 350 mm w45\CL	4x 350 mm w45\CR	4x 350 mm w45\DL	4x 350 mm w45\DR
1x z1	1x n26\1	1x φ3.5x16 mm p38	8x M4x22 mm j30	8x c370				

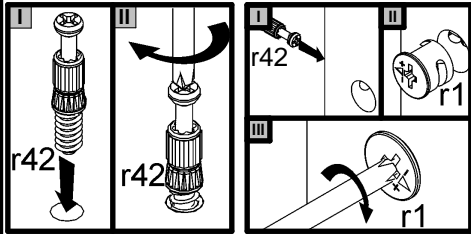
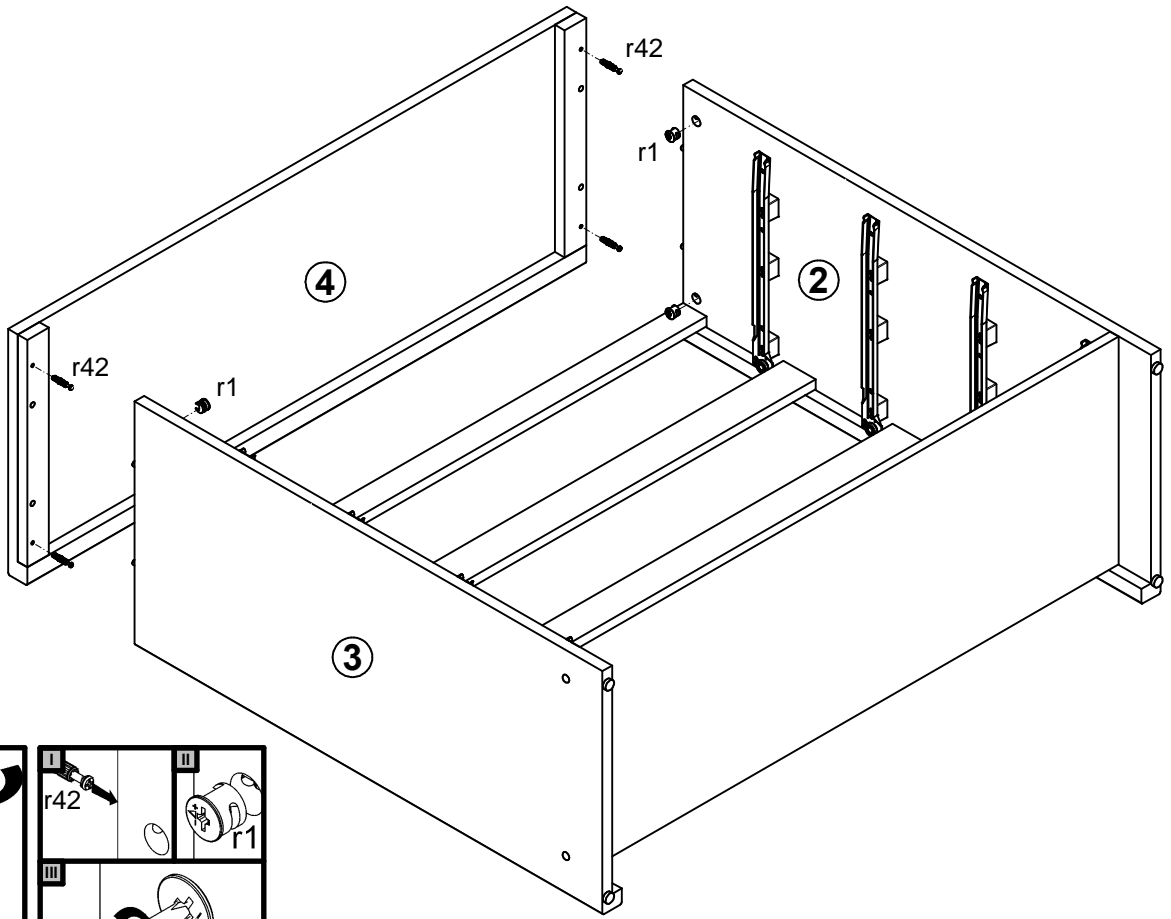
1 §2



2 §6



3



4

