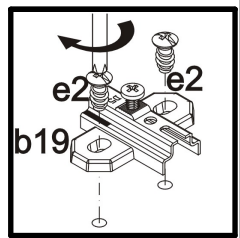
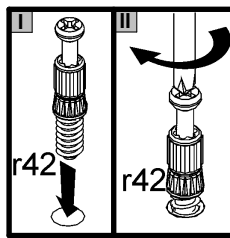
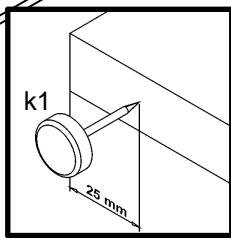
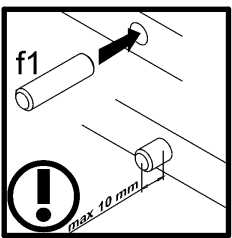
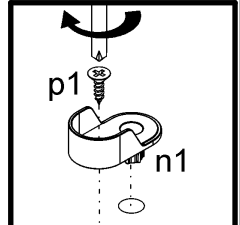
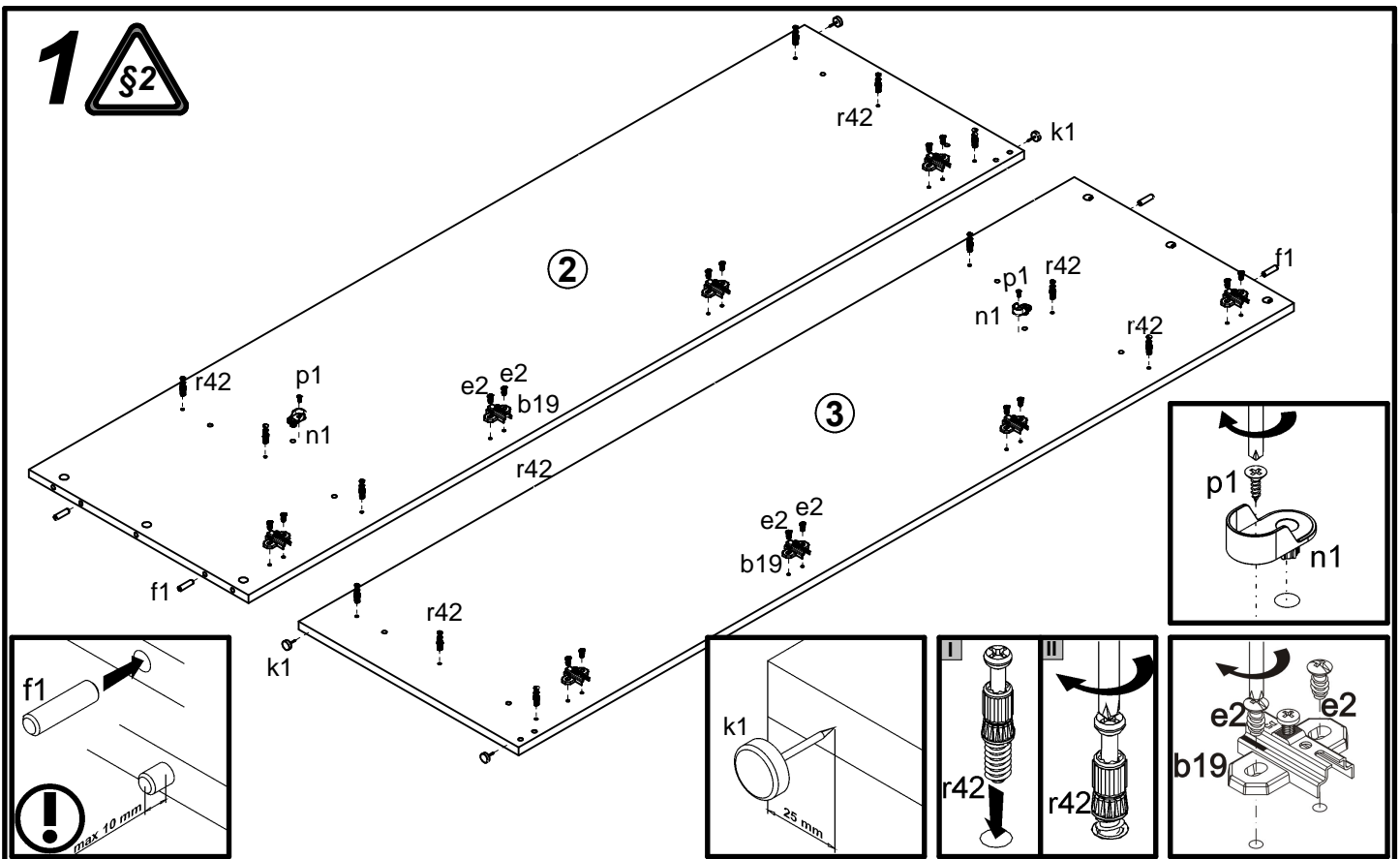


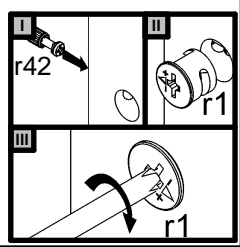
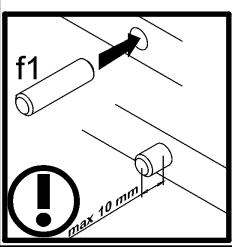
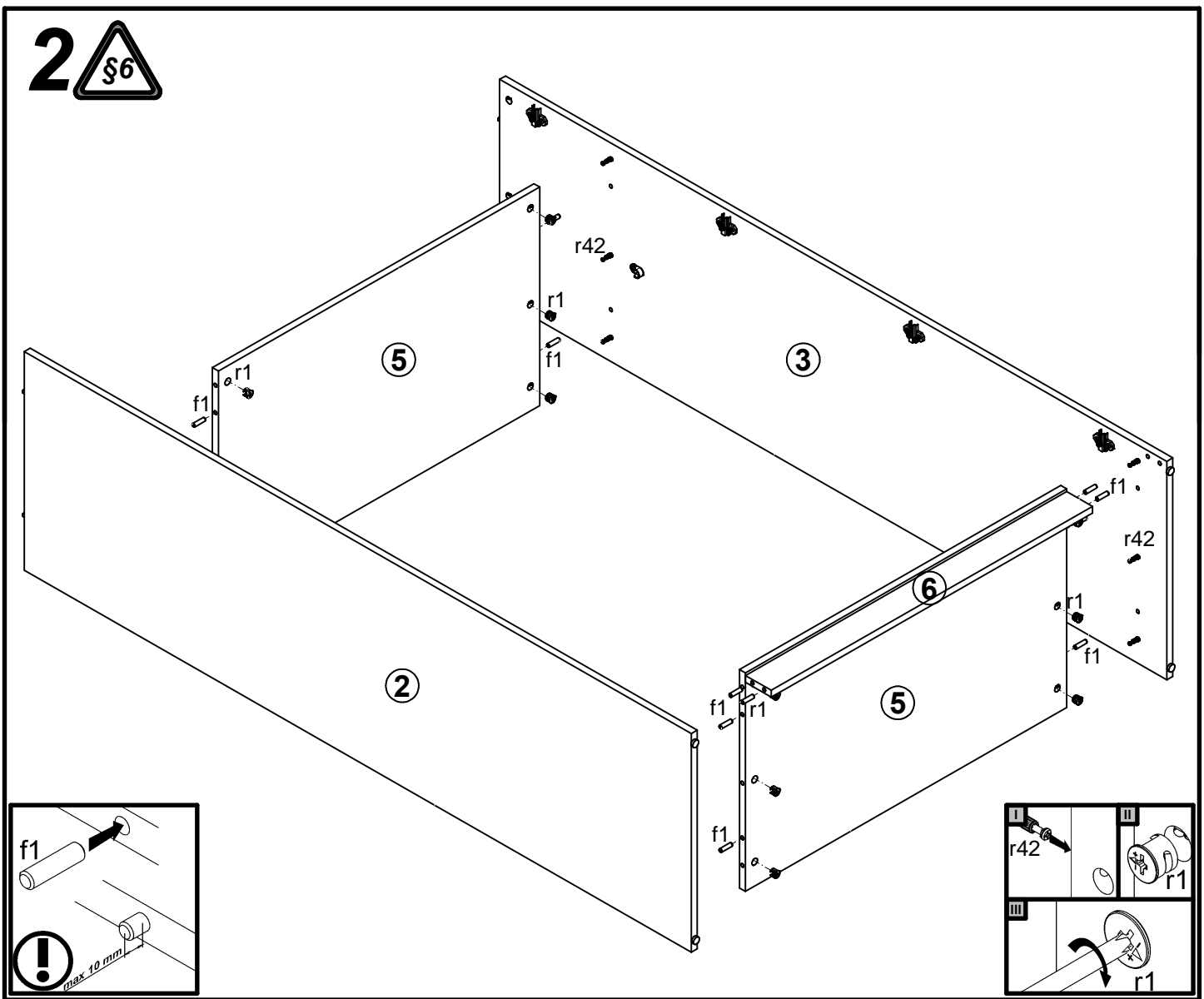
A	B	C	D	
1	S93-008	1730	446	3/3
2	S93-104	1800	510	1/3
3	S93-105	1800	510	1/3
4	S93-203	900	530	2/3
5	S93-301	867	510	2/3
6	S93-410	867	70	2/3
7	S93-906	1747	893	1/3
8	dr-862	862	22	2/3

8x a44	8x b19	2x c284	16x e2 φ6,3x13 mm	16x f1 φ8x30 mm	4x k1	65x l1	2x n1	2x p1 φ3,5x13 mm
16x p51 φ3,5x15 mm	4x p87 φ4x25 mm	18x r1 φ15x12mm #16	18x r42	12x s2 ø16	1x n26/1	1x p38 φ3,5x16 mm		

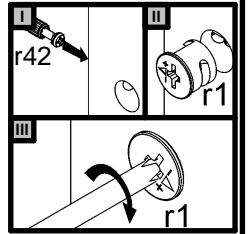
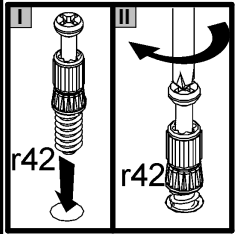
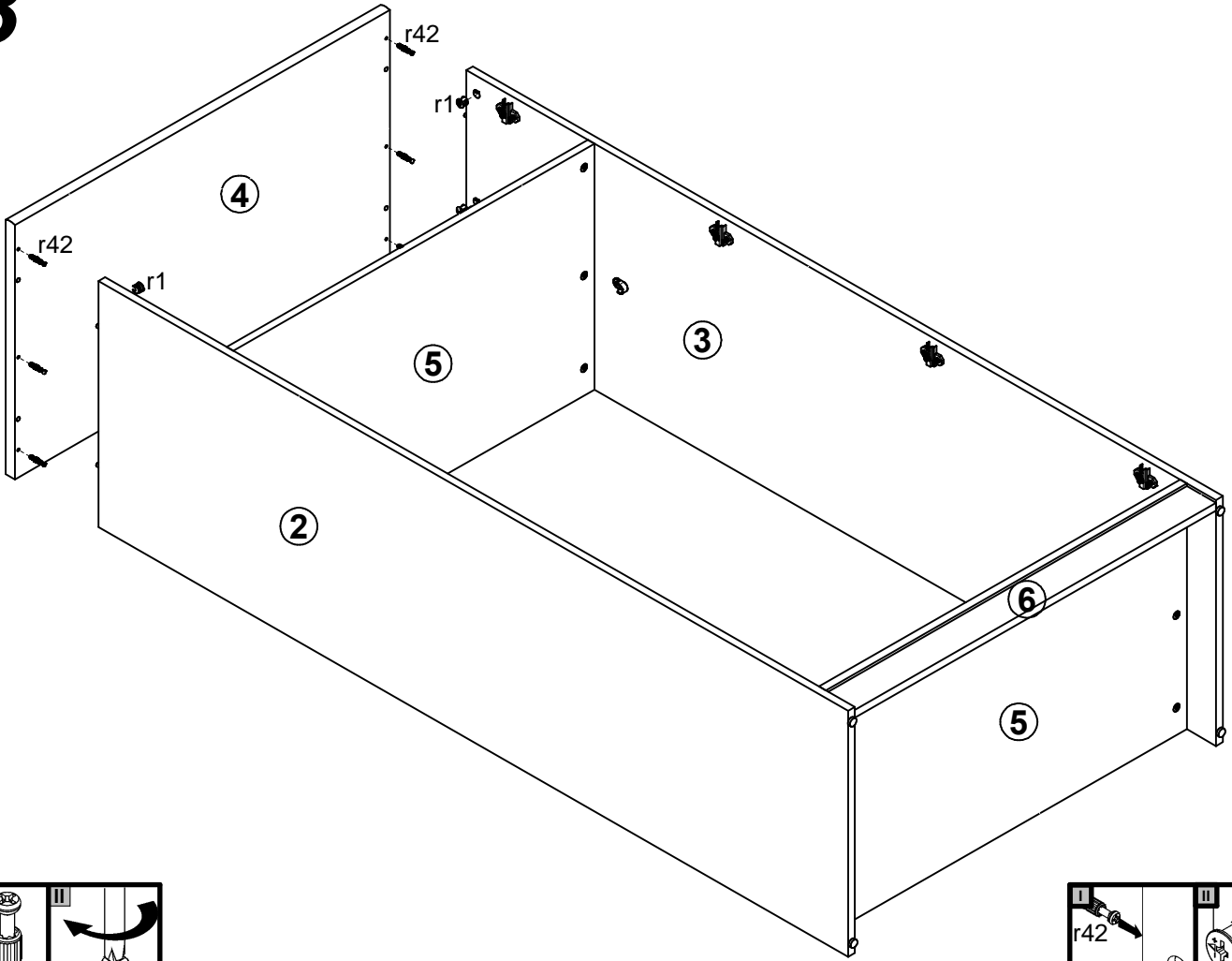
1



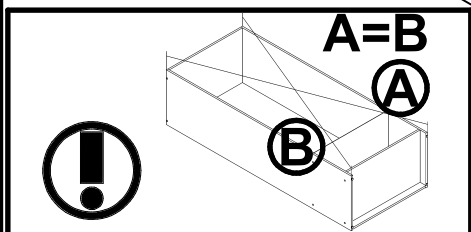
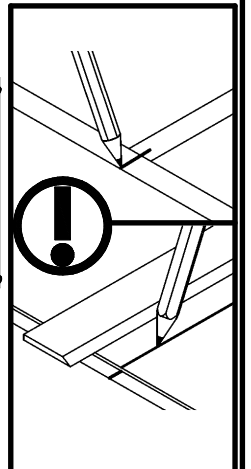
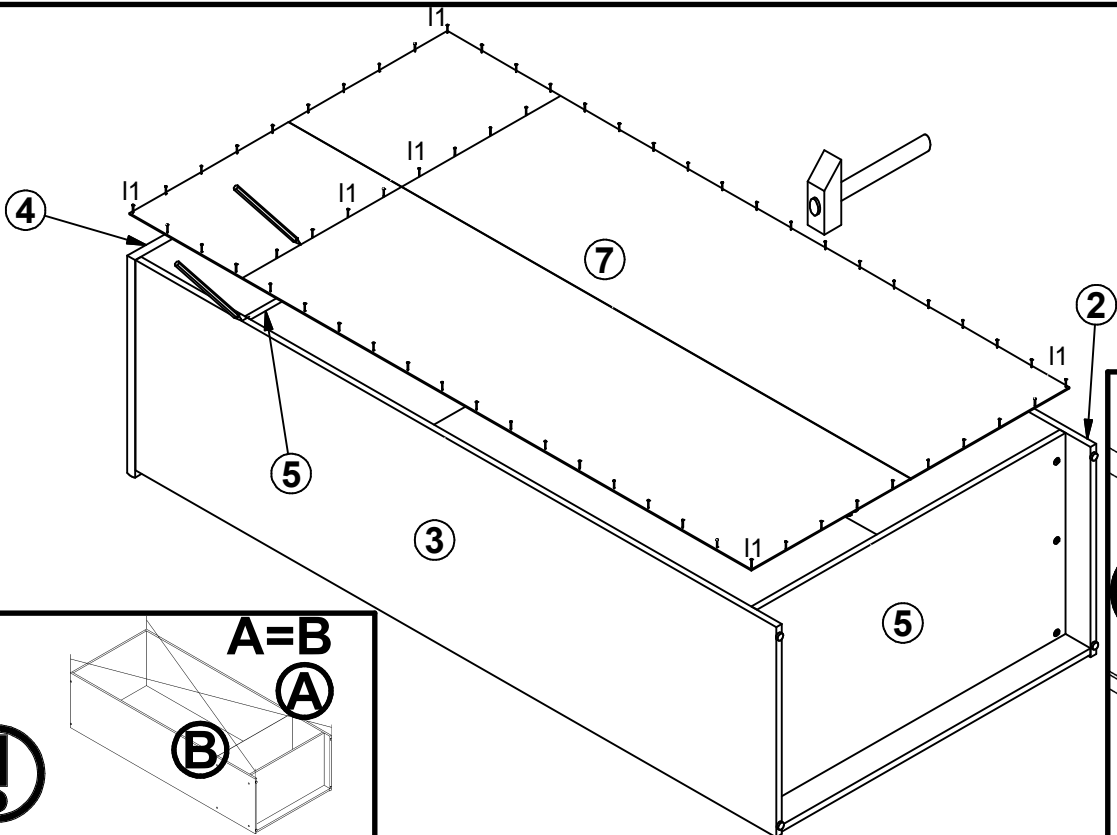
2



3



4



5

