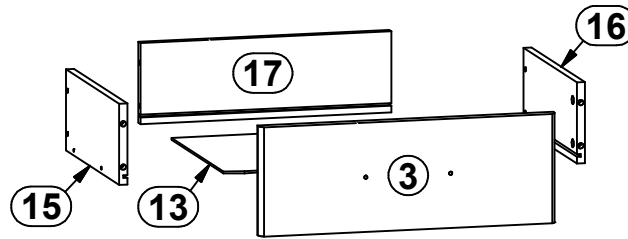
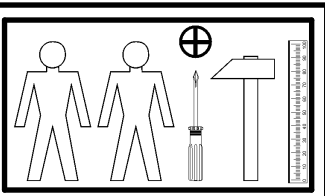
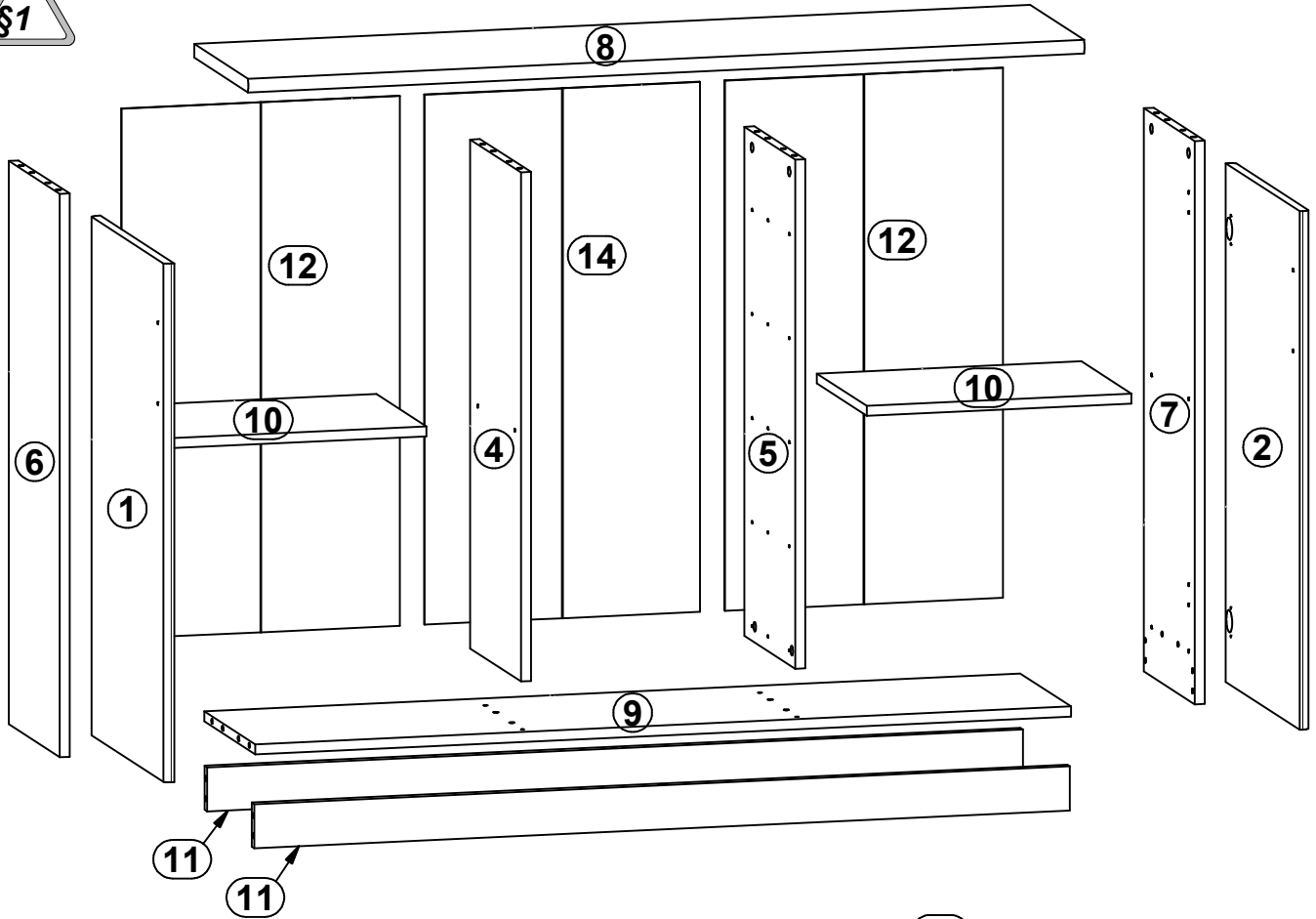
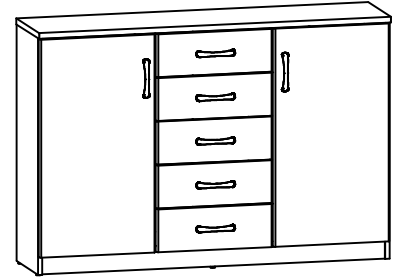


KLIO

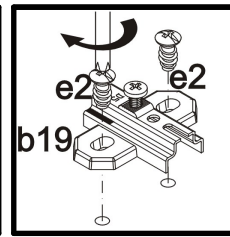
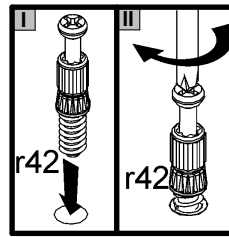
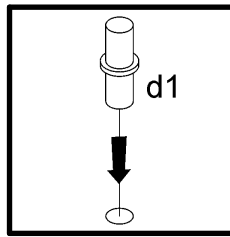
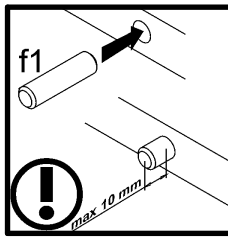
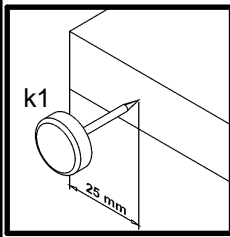
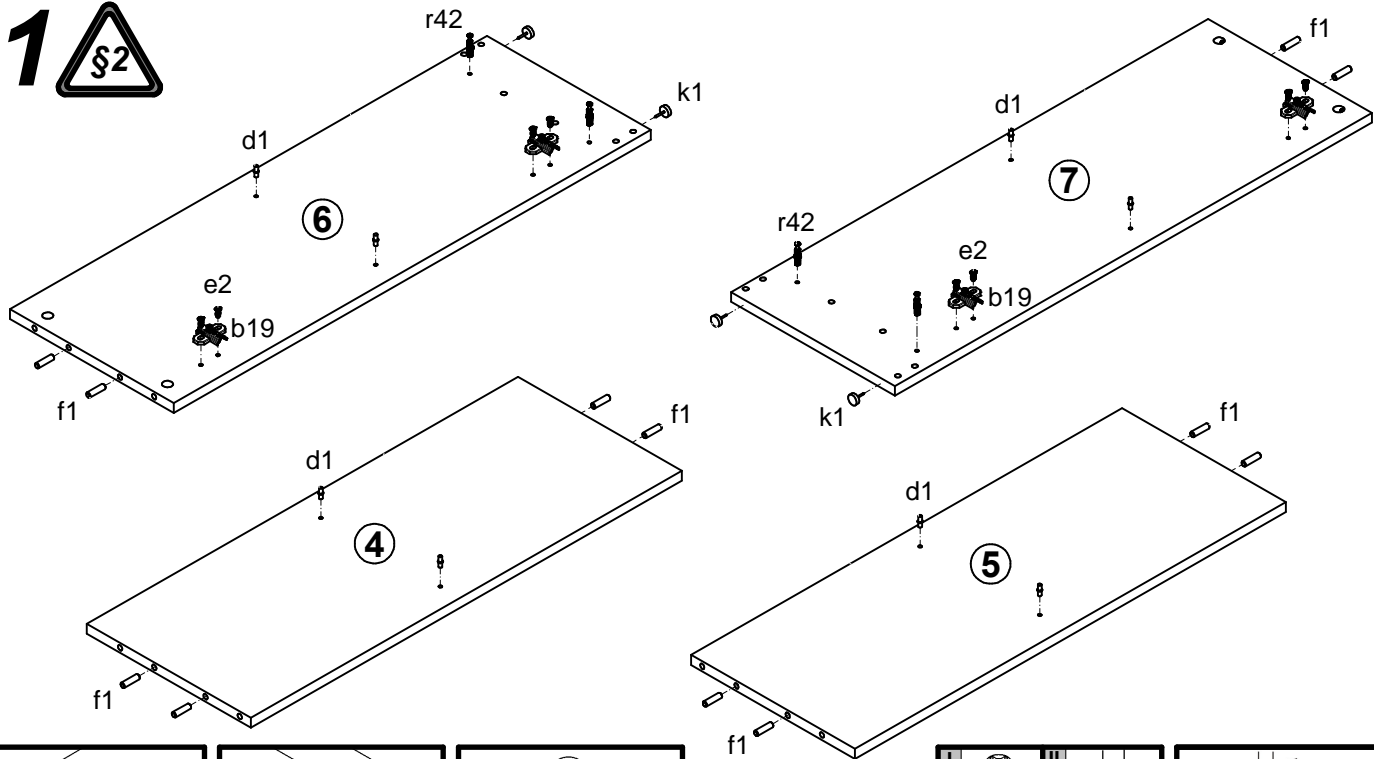
S93-KOM2D5S

A	B	C	D	A	B	C	D		
1	S93-017	822	446	2/2	11	S93-411	1317	70	1/2
2	S93-018	822	446	2/2	12	S93-915	840	449	1/2
3	S93-019	446	162	2/2	13	S93-917	389	298	1/2
6	S93-136	893	307	1/2	14	S93-918	840	445	1/2
7	S93-137	893	307	1/2	15	ZS1-545	300	120	1/2
4	S93-118	807	307	1/2	16	ZS1-546	300	120	1/2
5	S93-119	807	307	1/2	17	ZS1-5503	378	120	1/2
8	S93-206	1350	327	1/2					
9	S93-313	1317	307	1/2					
10	S93-314	427	301	1/2					

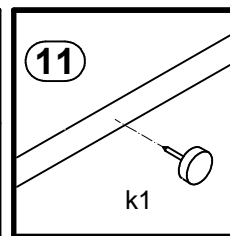
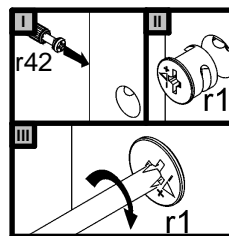
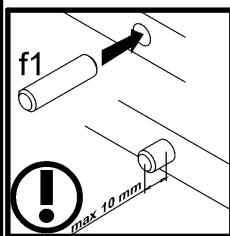
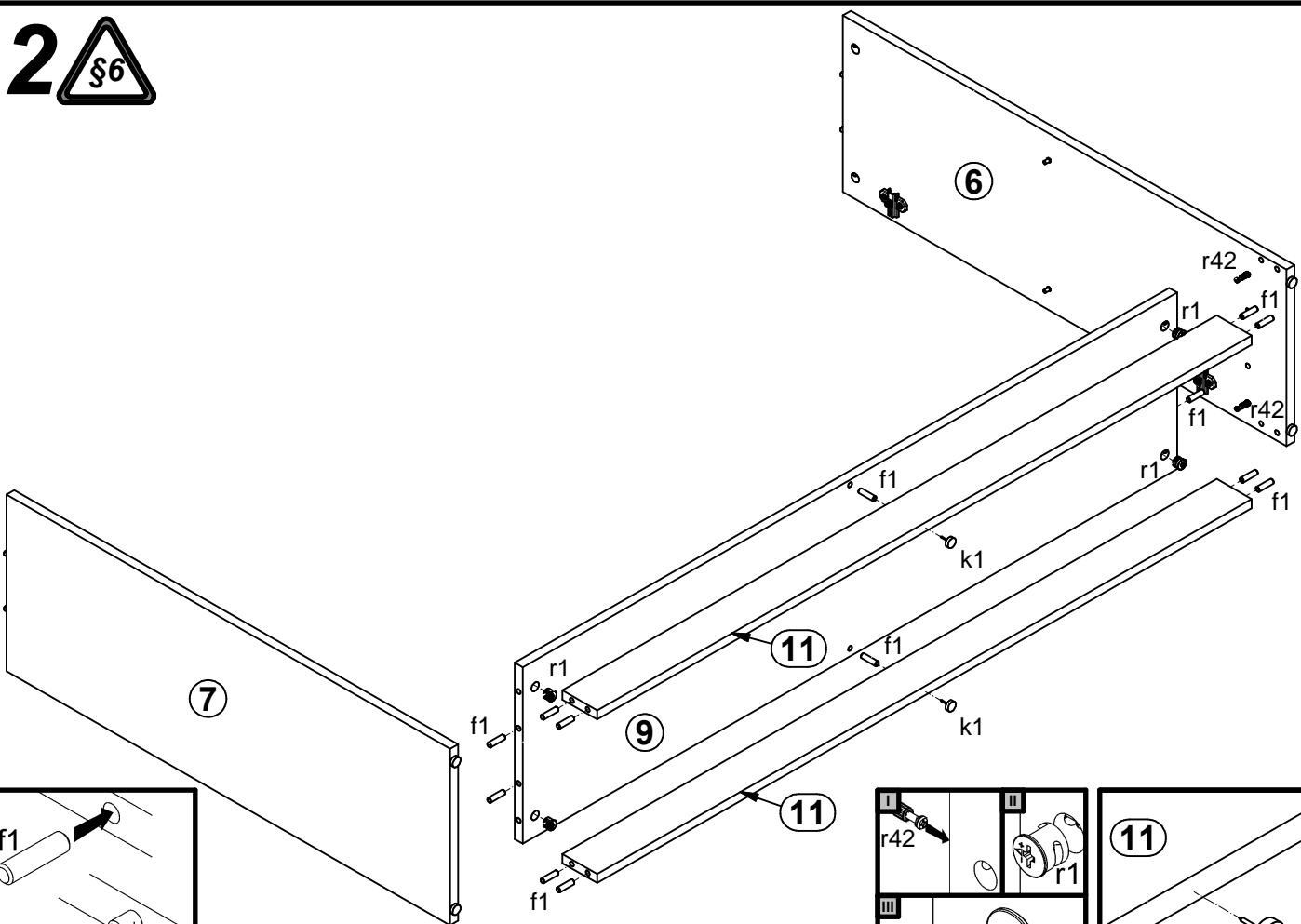


4x a44	4x b19	7x c284	8x φ5x17 mm d1	20x φ5x9 mm e19	8x φ6,3x13 mm e2	30x φ6x13 mm e3	26x φ8x30 mm f1	20x φ6,5x40 mm f25
6x k1	100x l1	8x φ3,5x15 mm p51	14x φ4x25 mm p87	16x φ15x12mm #16 r1	20x φ12x10,5mm #12 r15	36x r42	6x φ16 s2	5x 300 mm w37/CL
5x 300 mm w37/CR	5x 300 mm w37/DL	5x 300 mm w37/DR	1x n26/1	1x φ3,5x16 mm p38				

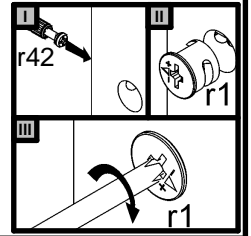
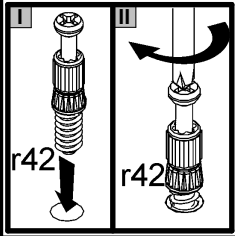
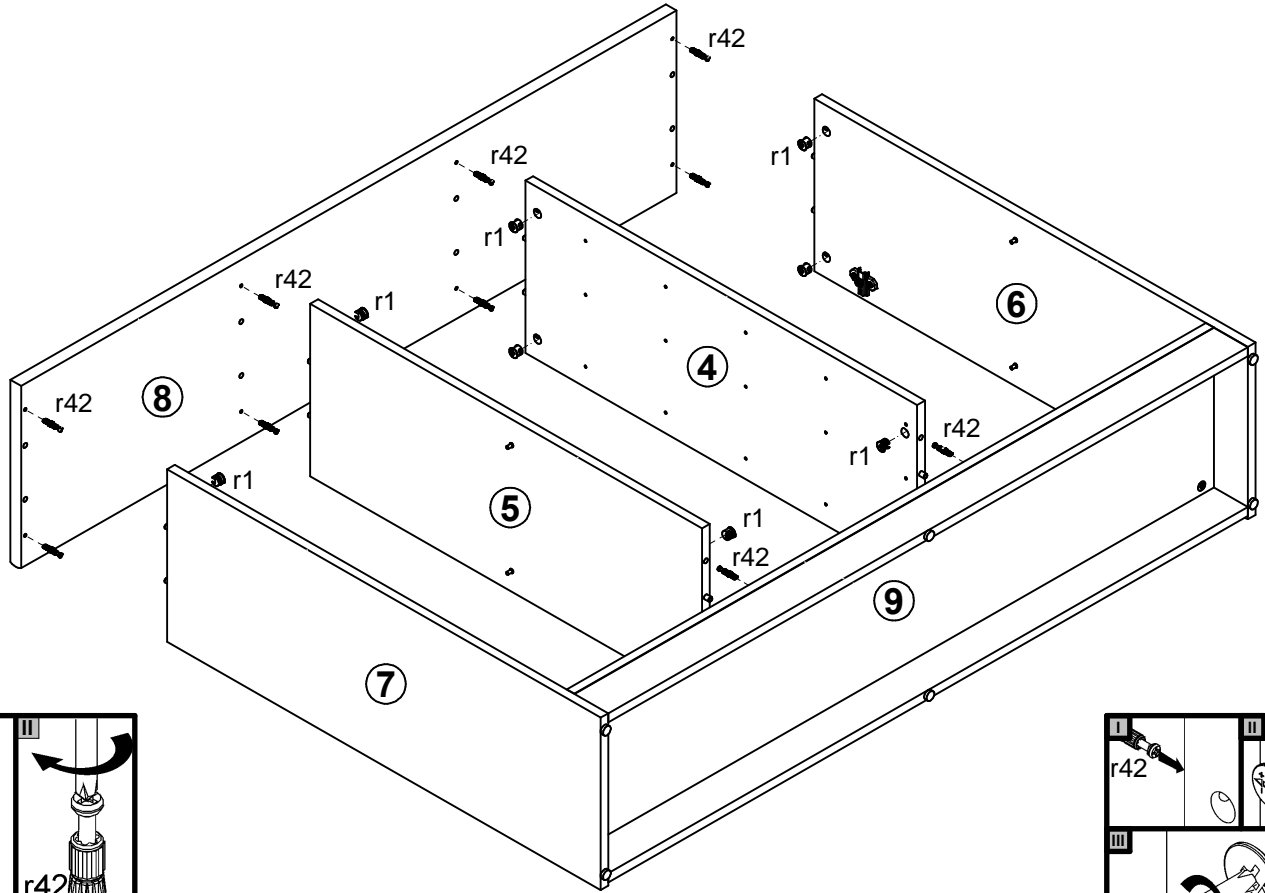
1



2



3



4

