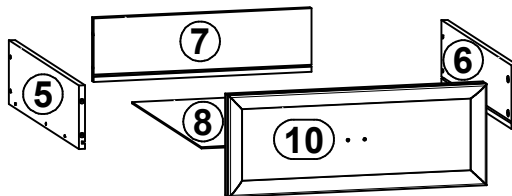
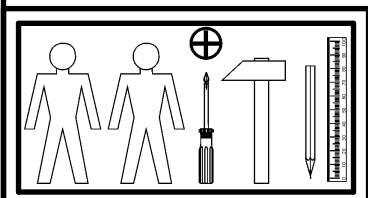
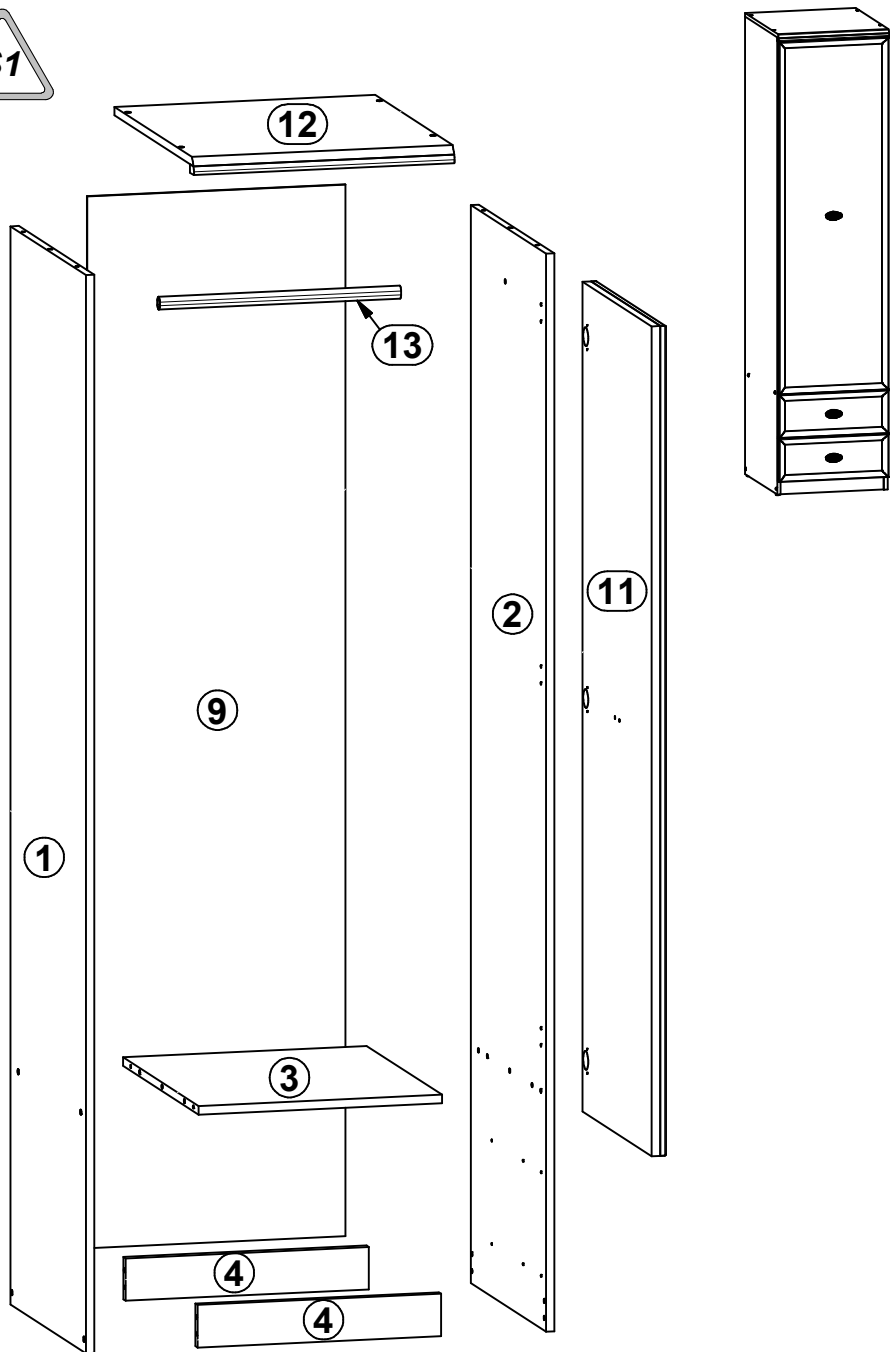


FLAWIA

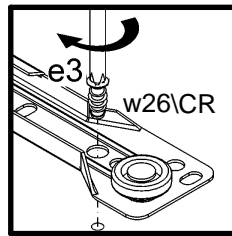
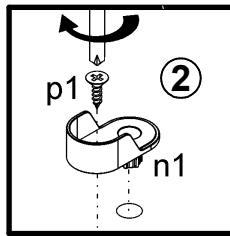
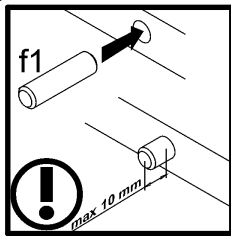
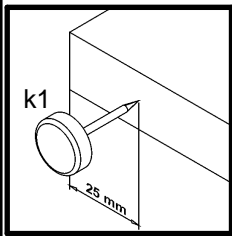
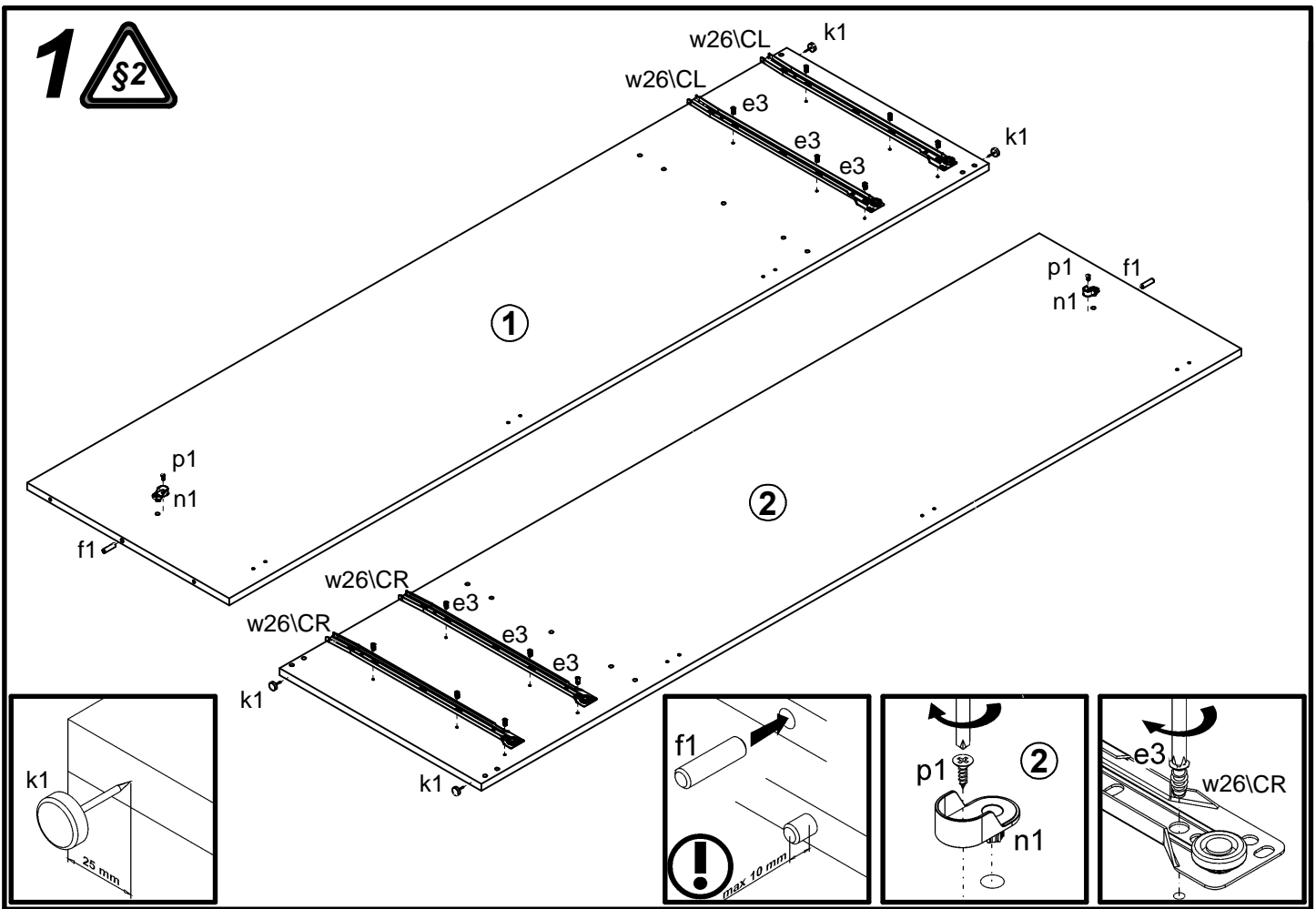
S84-SZF1D2S

A	B	C	D	
1	S48-101	2032	540	1/5
2	S48-102	2032	540	1/5
3	S48-313	467	540	1/5
4	S48-406	467	80	2/5
5	S48-501	500	120	1/5
6	S48-502	500	120	1/5
7	S48-510	418	120	1/5
8	S48-909	429	498	1/5
9	S48-910	1982	495	1/5
10	S84-017	495	191	5/5
11	S84-018	1564	495	4/5
12	S84-209	500	570	2/5
13	dr-463	463	22	1/5

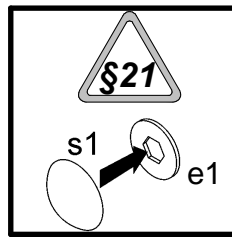
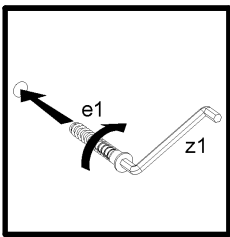
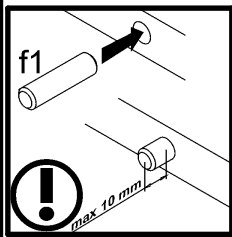
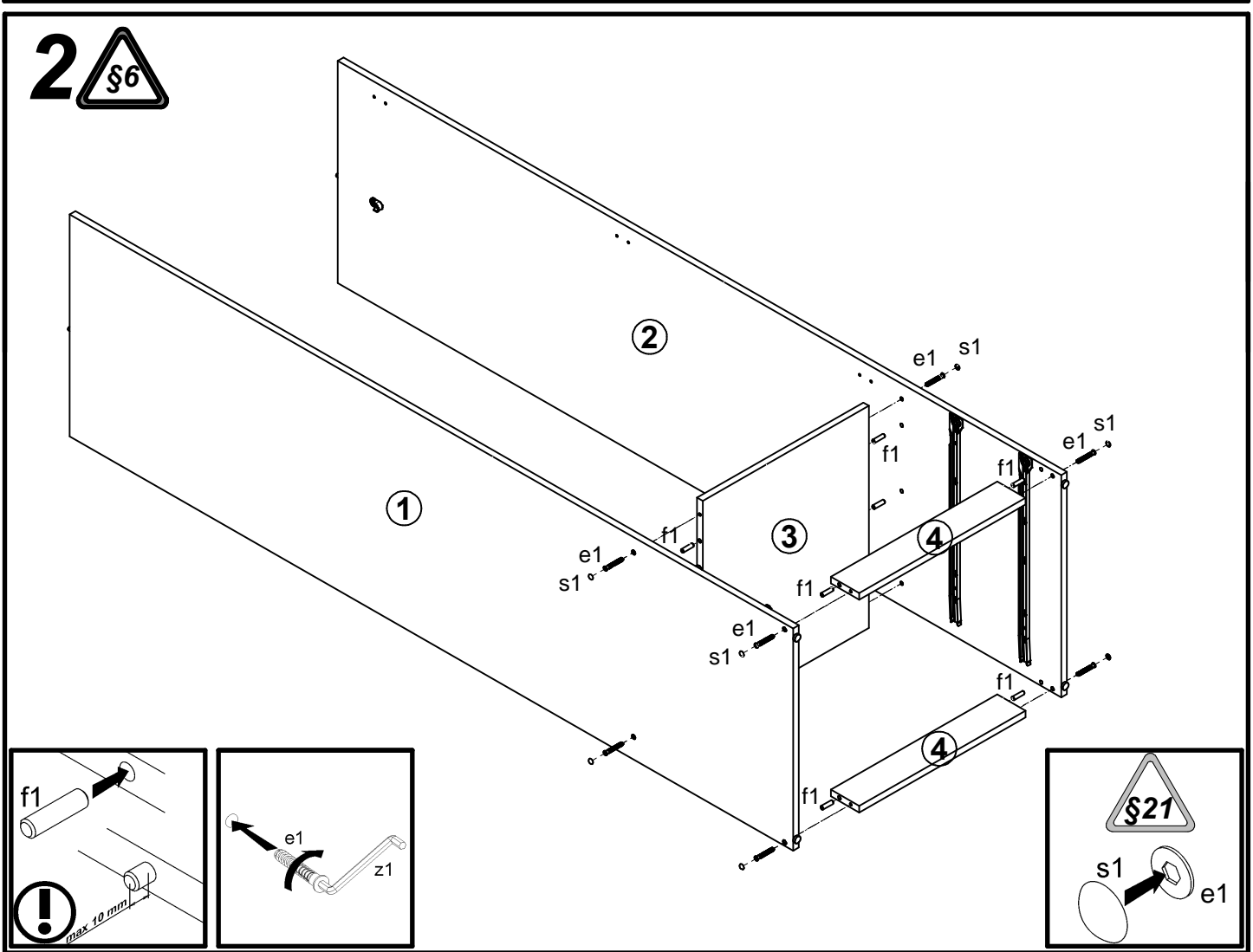


3x a76	3x b17	3x c180\1 32 mm	12x e1 φ7x50 mm	12x e19 φ5x9 mm	6x e2 φ6,3x13 mm	12x e3 φ6x13 mm	12x f1 φ8x30 mm	8x f25 φ6,5x40 mm
6x j1 M4x20 mm	4x k1	55x l1	2x n1	2x p1 φ3,5x13 mm	3x p38 φ3,5x16 mm	6x p51 φ3,5x15 mm	8x r15 φ12x10,5 mm #12	8x r42
8x s1	2x w26\CL 500 mm	2x w26\CR 500 mm	2x w26\DL 500 mm	2x w26\DR 500 mm	1x z1	1x n26\1	1x p38 φ3,5x16 mm	

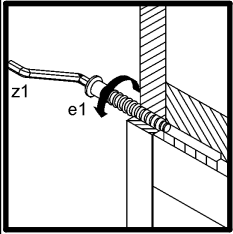
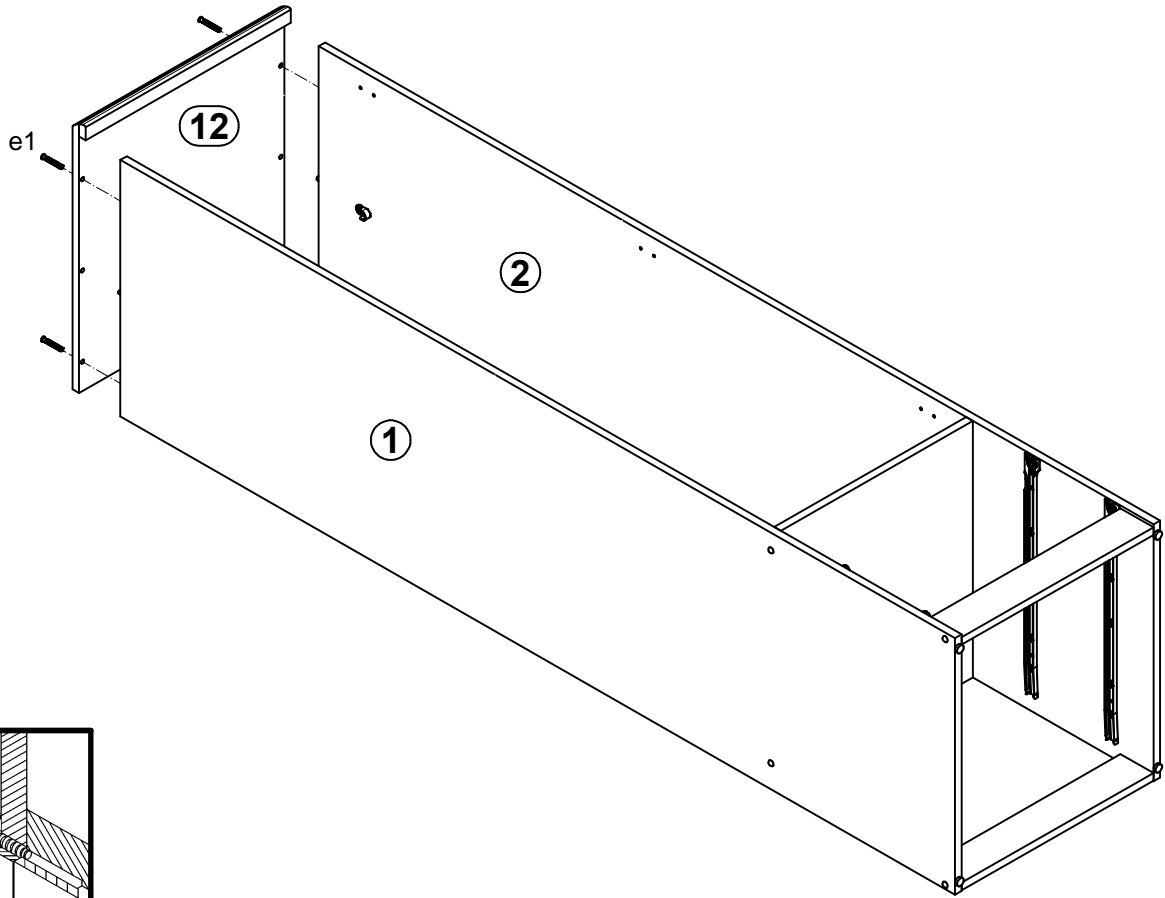
1



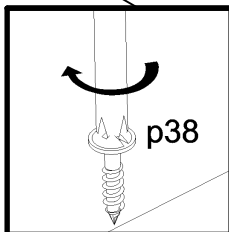
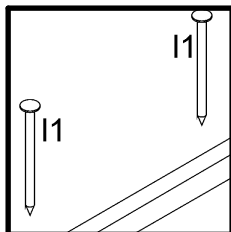
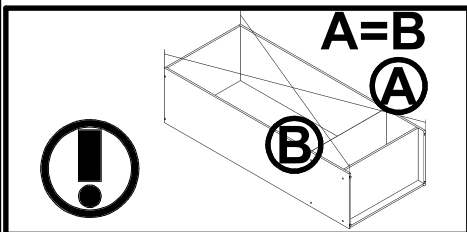
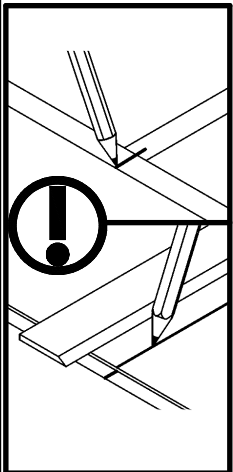
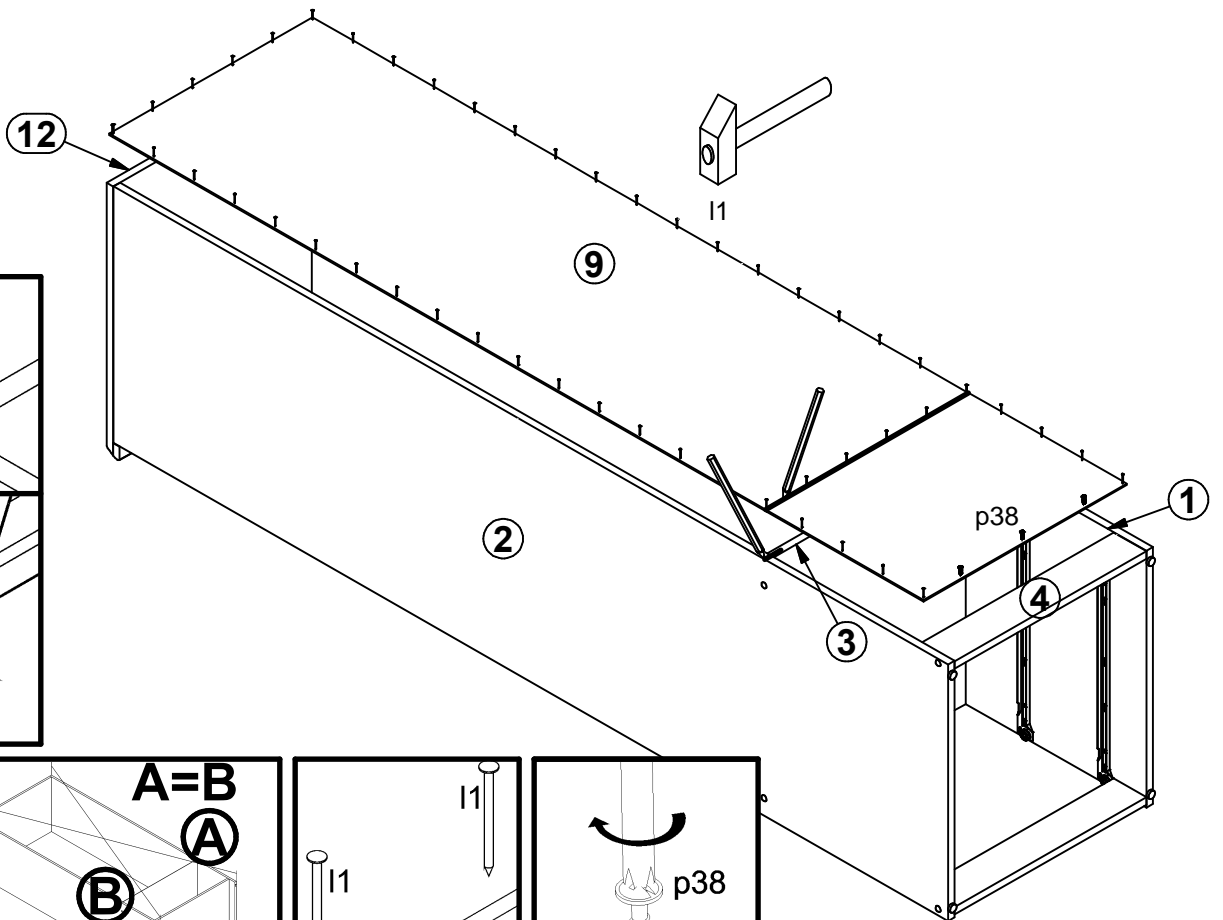
2



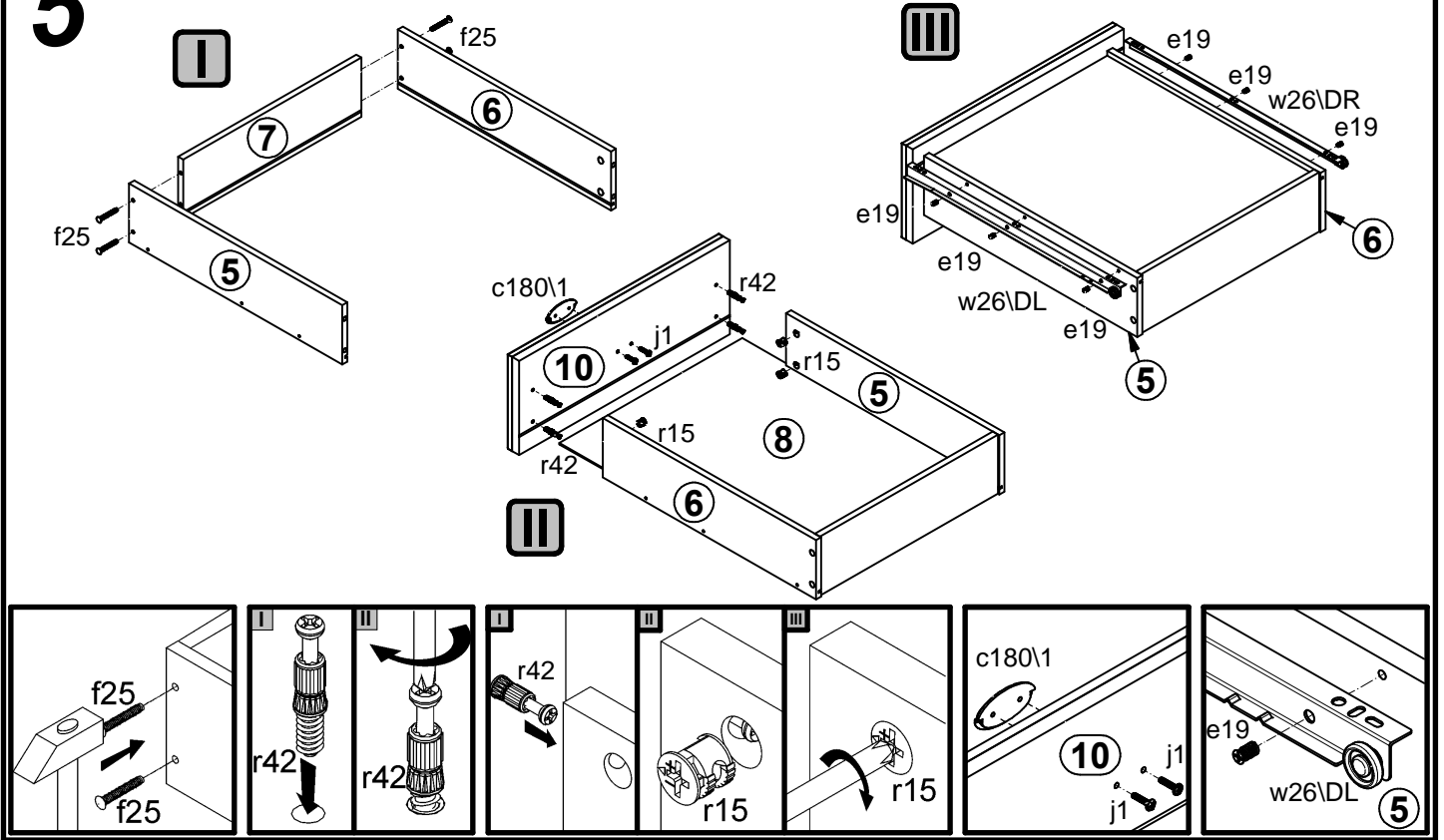
3



4



5



6

