

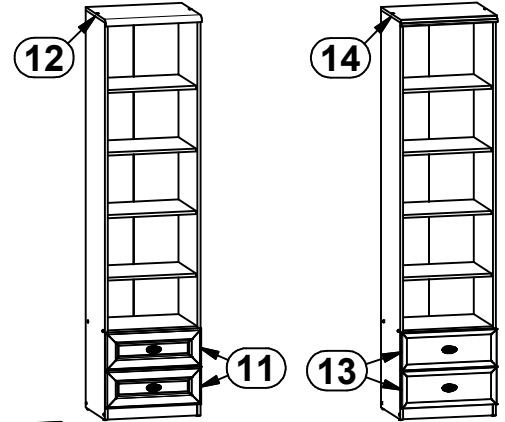
S48-SEVILLA / S84-FLAWIA

A	B	C	D
1	S48-118	2032	370
2	S48-119	2032	370
3	S48-315	467	345
4	S48-316	467	370
5	S48-406	467	80
6	S48-507	350	120
7	S48-508	350	120
8	S48-510	418	120
9	S48-911	429	348
10	S48-918	1982	495



S48-REG/50

S84-REG/50

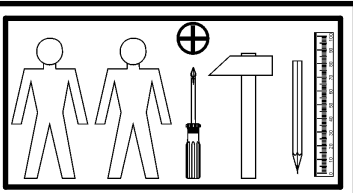
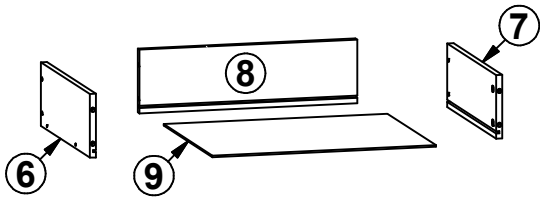
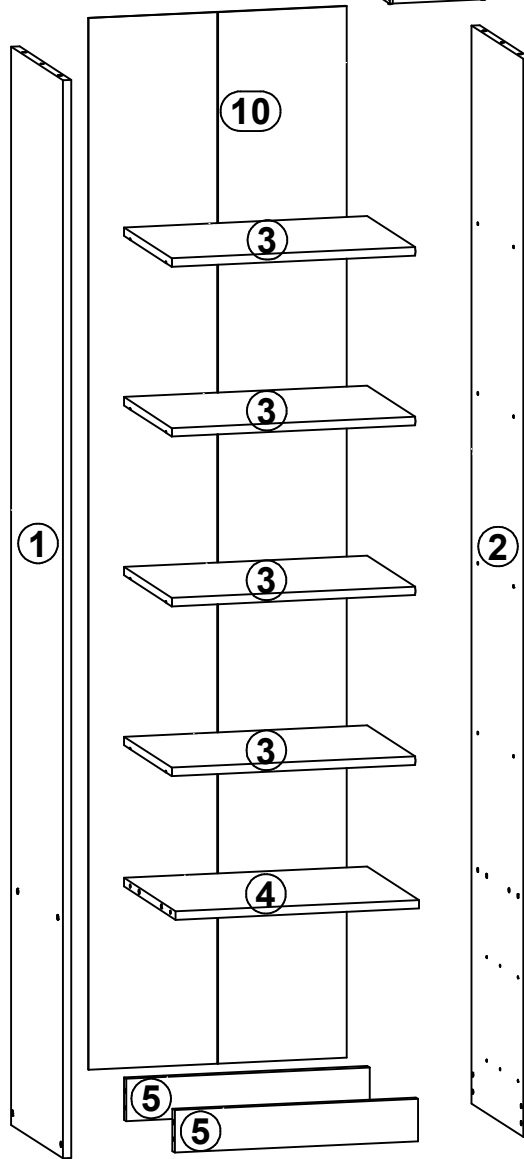


S48-REG/50

A	B	C	D
11	S48-017	496	191
12	S48-211	500	395

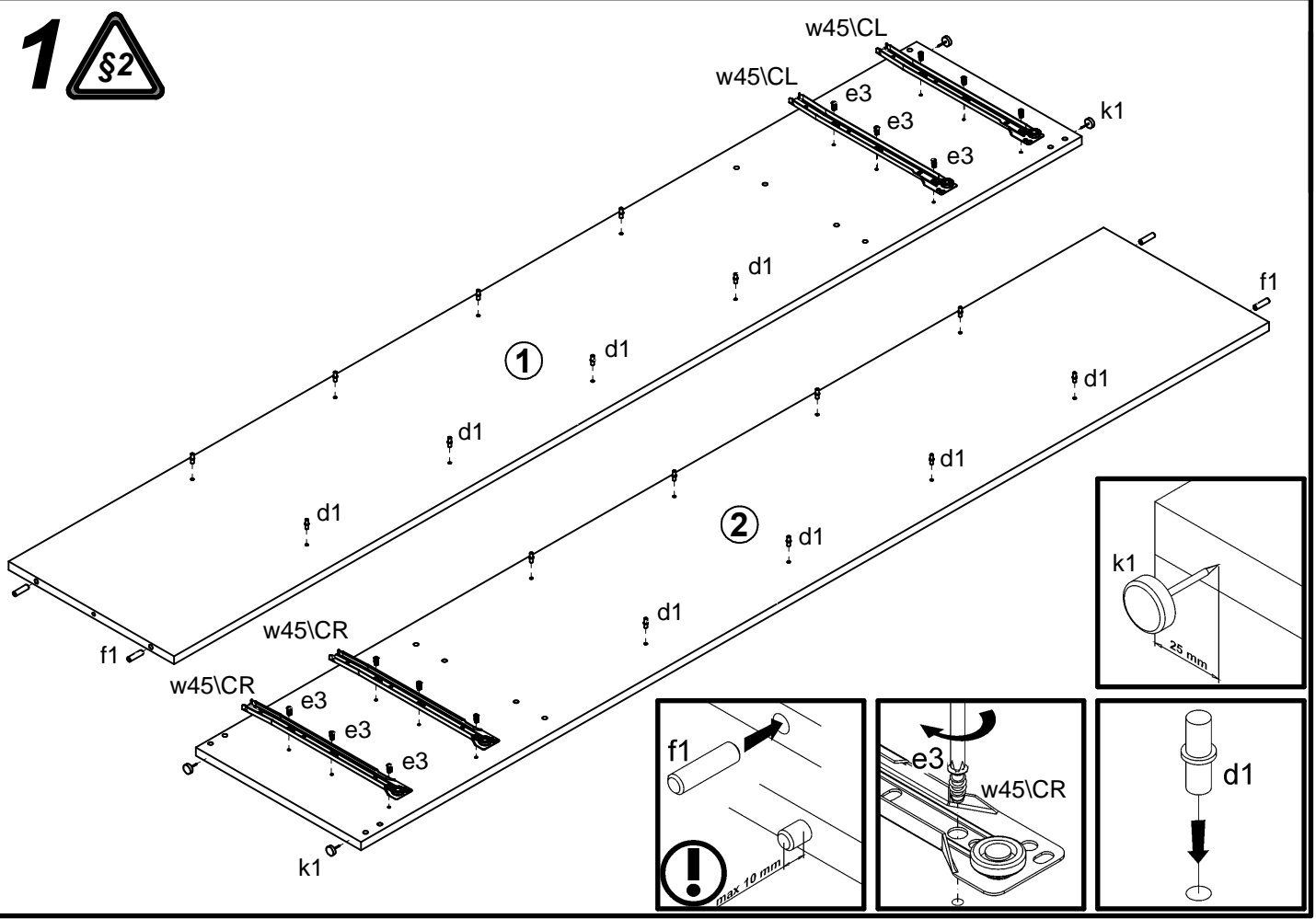
S84-REG/50

A	B	C	D
13	S84-017	495	191
14	S84-211	500	400

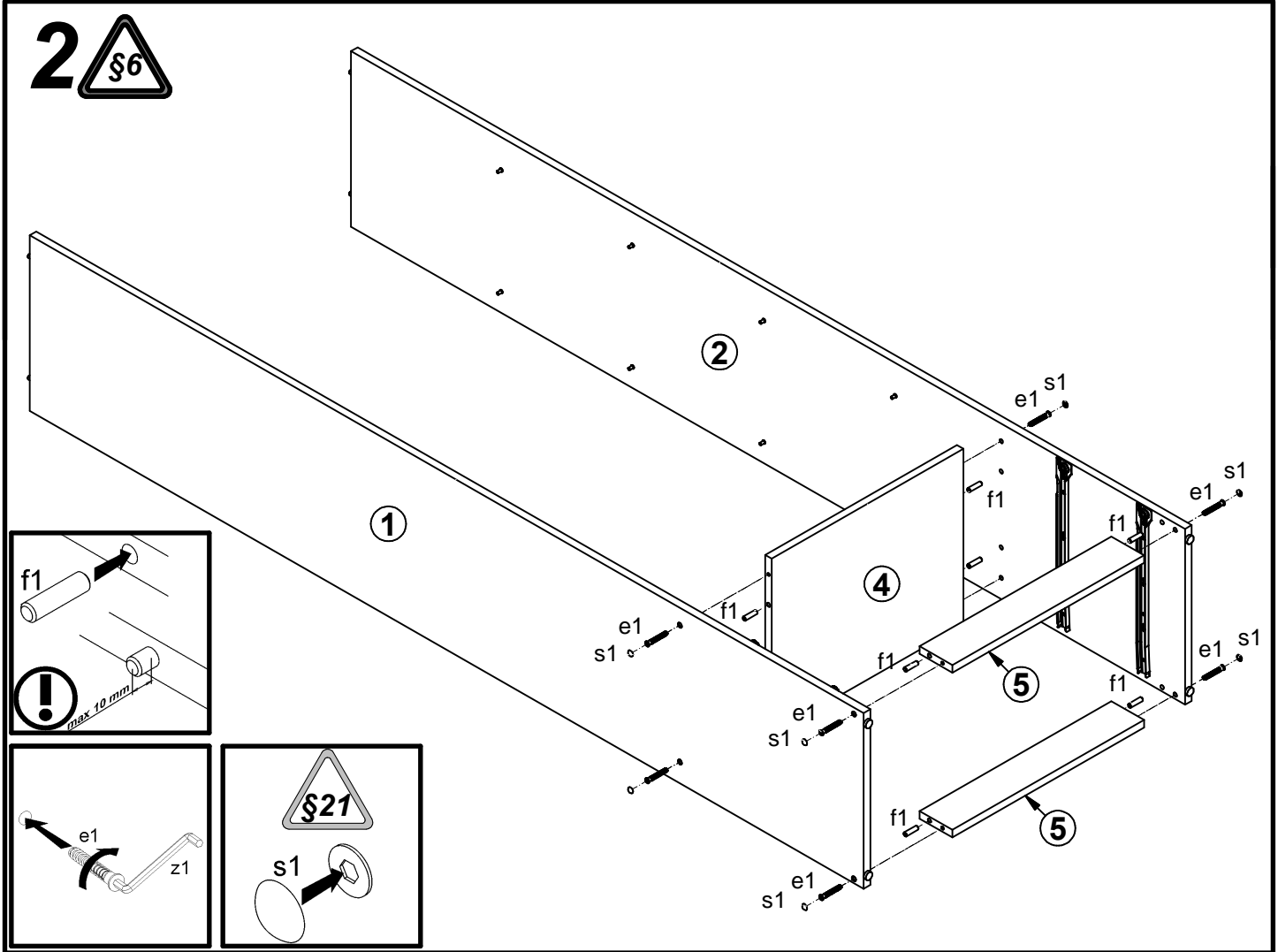


2x 32 mm c180\1	16x φ5x17 mm d1	10x φ7x50 mm e1	8x φ5x9 mm e19	12x φ6x13 mm e3	12x φ8x30 mm f1	8x φ6.5x40 mm f25	4x k1	60x l1
4x φ3.5x16 mm p38	8x φ12x10.5mm #12 r15	8x r42	8x s1	2x 350 mm w45\CL	2x 350 mm w45\CR	2x 350 mm w45\DL	2x 350 mm w45\DR	1x z1
1x n26\1	1x φ3.5x16 mm p38	S48-REG/50		4x M4x10 mm j106	S84-REG/50		4x M4x20 mm j1	

1



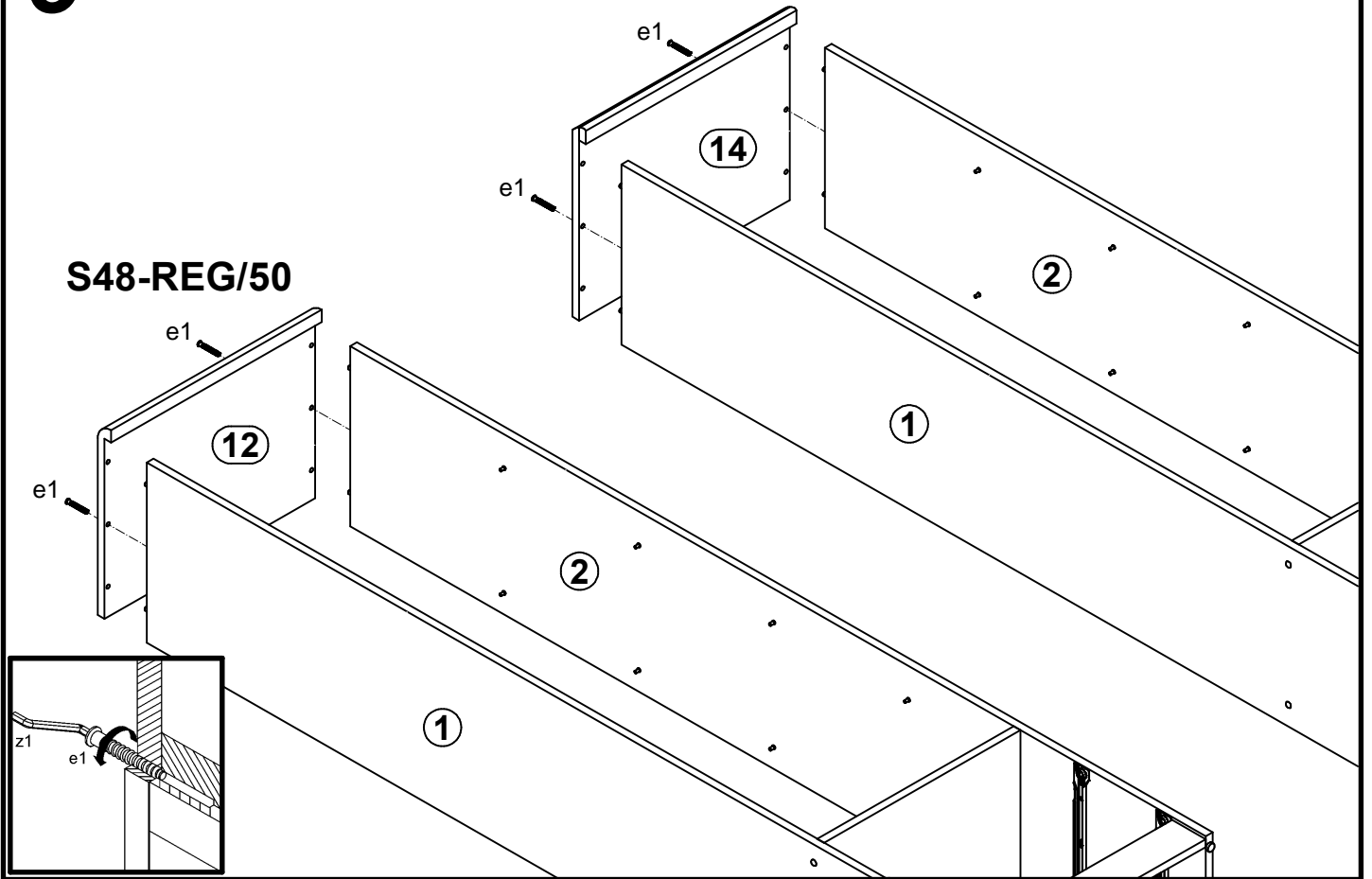
2



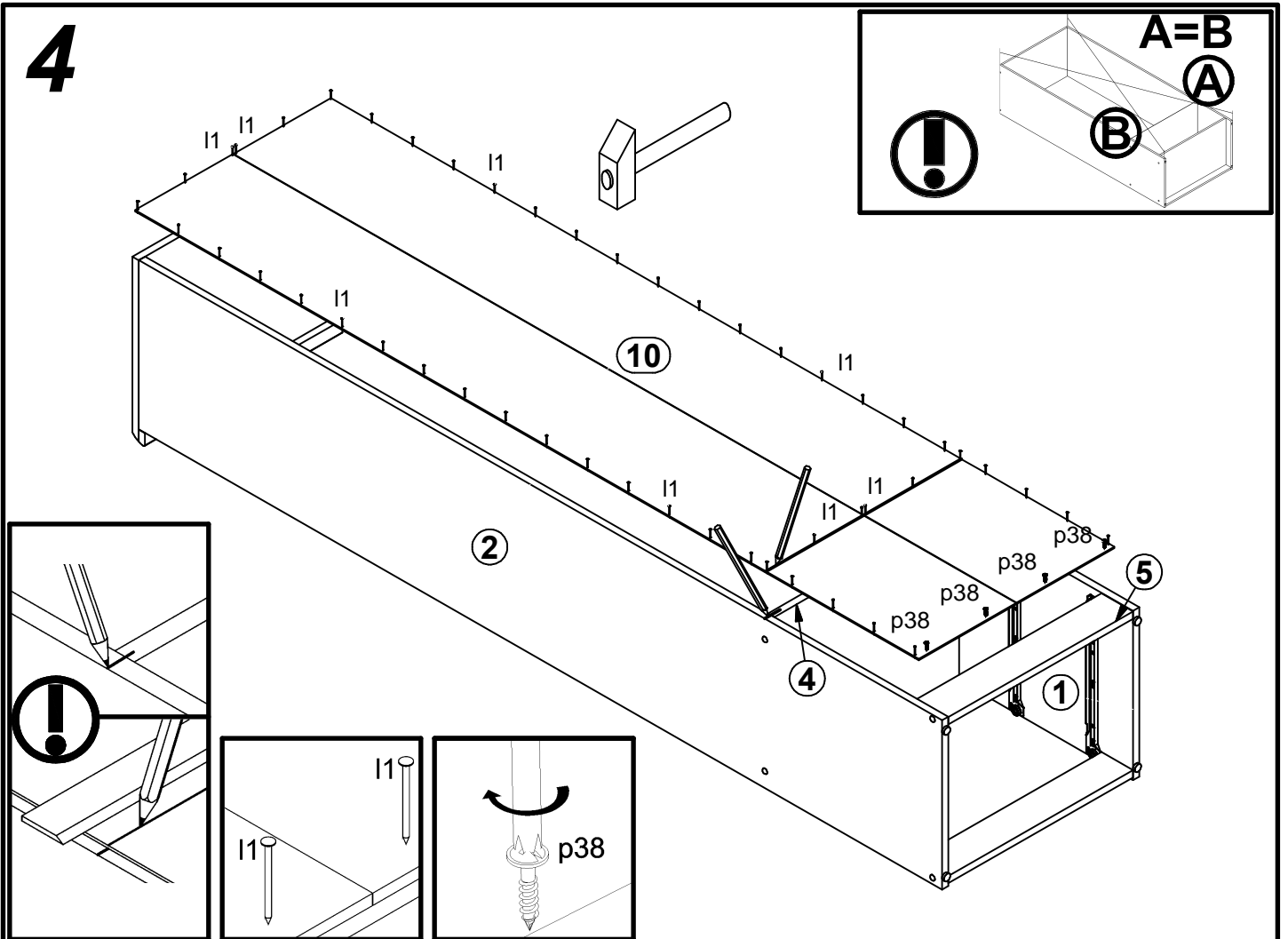
3

S84-REG/50

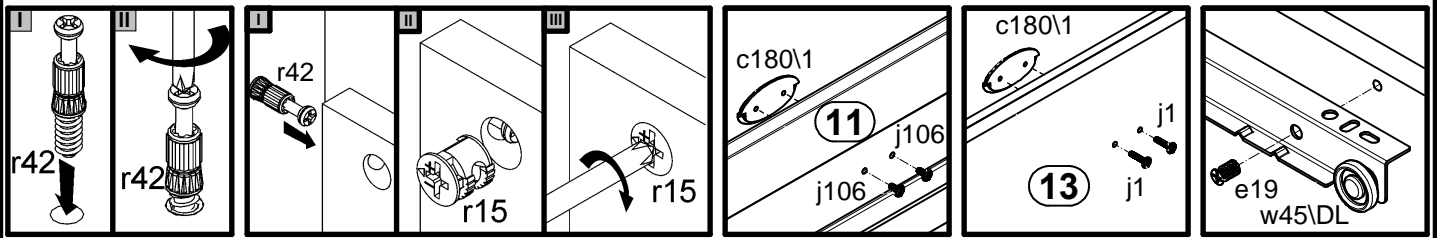
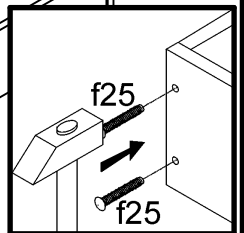
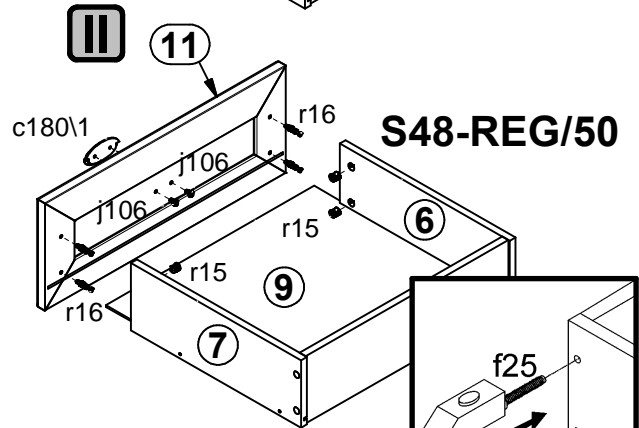
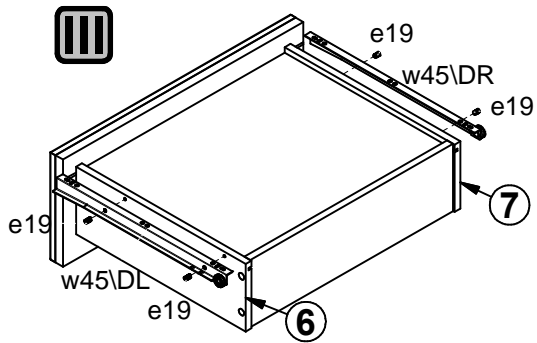
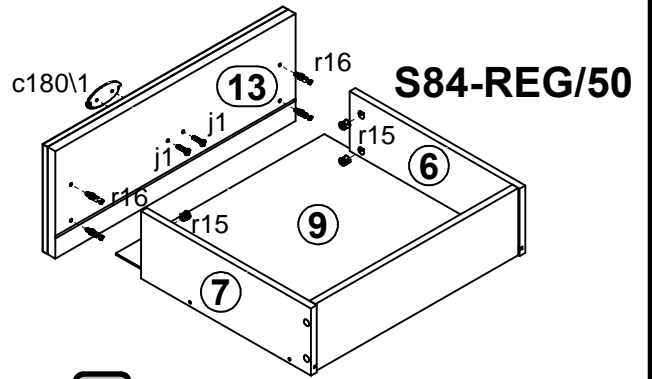
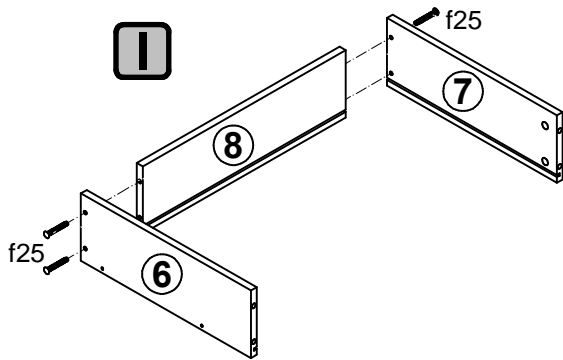
S48-REG/50



4



5



6

