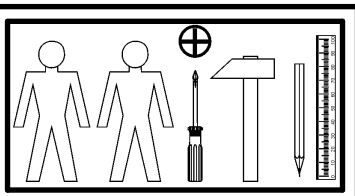
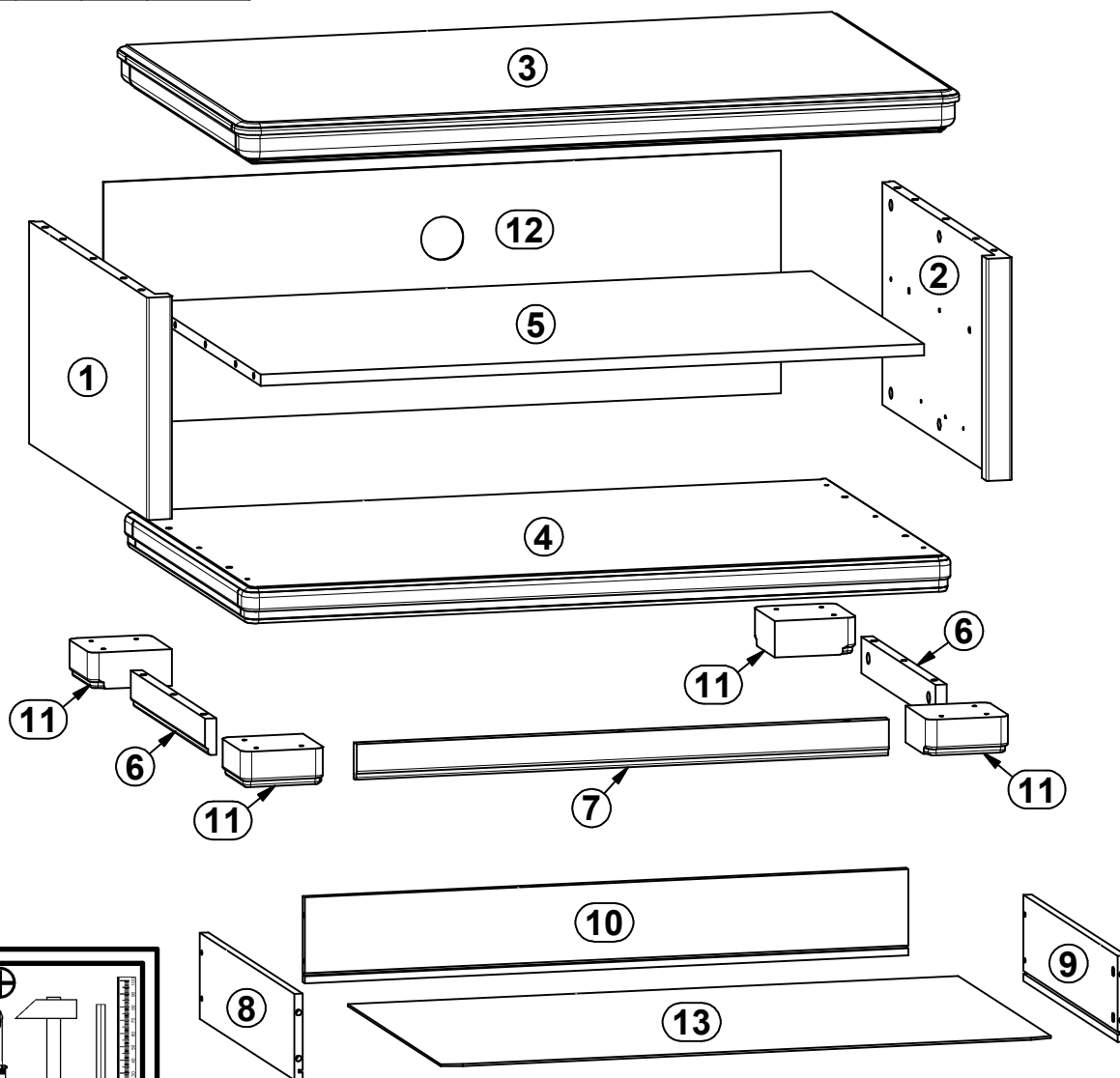
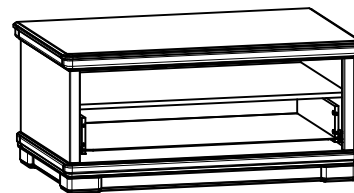


CHARLOTTA

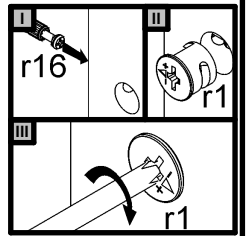
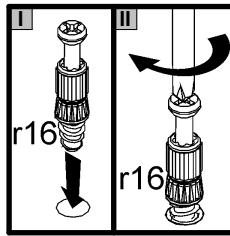
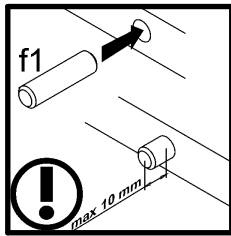
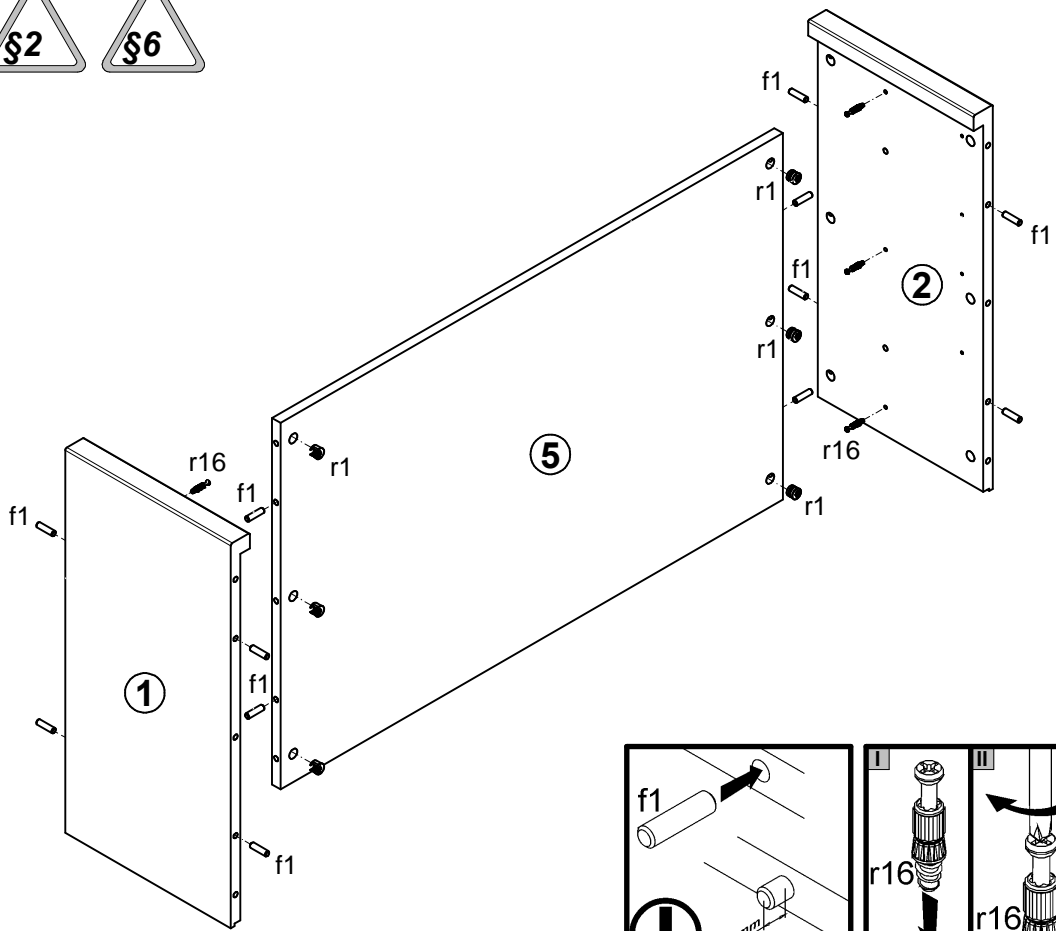
S96-RTV1S/4/10

A	B	C	D	
1	S96-115	310	624	2/3
2	S96-116	310	624	2/3
3	S96-217	1027	650	1/3
4	S96-218	1005	637	1/3
5	S96-318	941	595	2/3
6	S96-408	393	51	2/3
7	S96-411	755	51	2/3
8	S96-504	500	120	2/3
9	S96-505	500	120	2/3
10	S96-513	856	120	2/3
11	S96-550	117	117	1/3
12	S96-906	961	338	2/3
13	S96-913	866	498	2/3

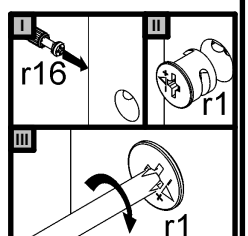
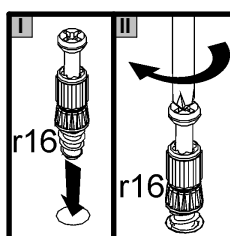
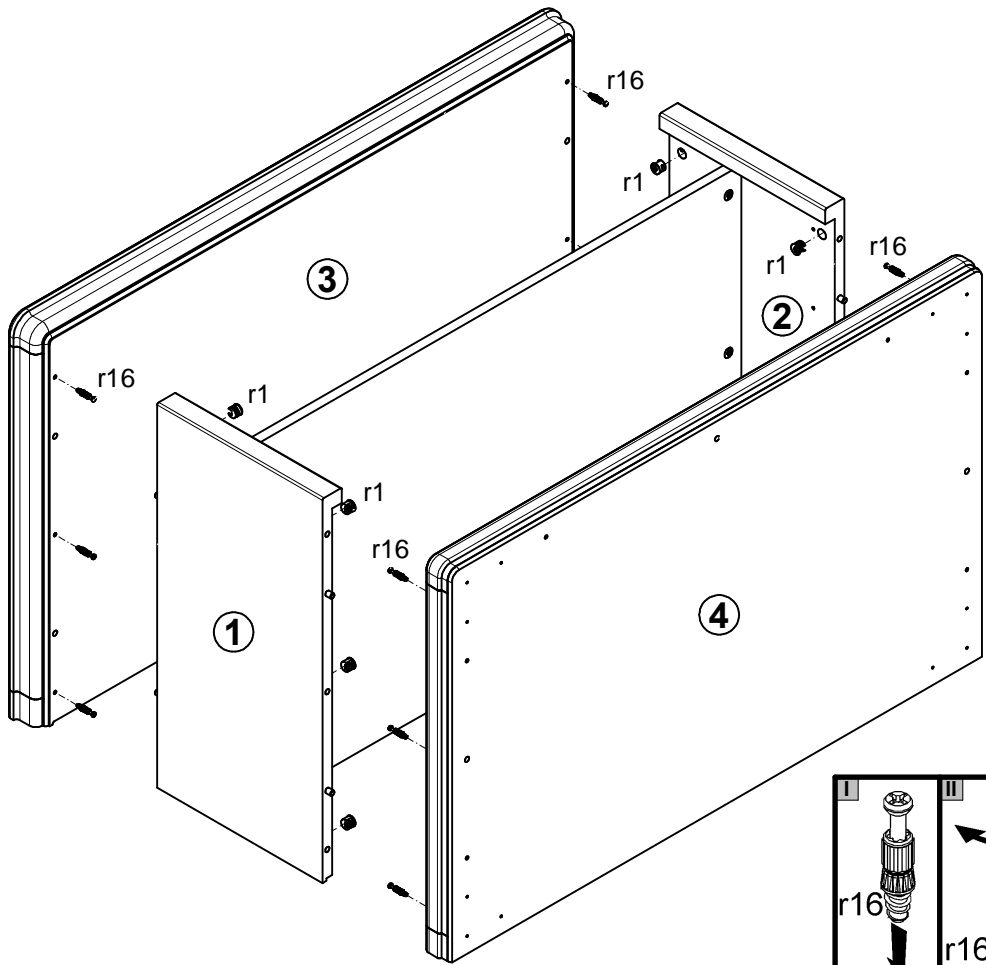


8x φ6x30 mm e16	15x φ8x30 mm f1	4x φ6.5x40 mm f25	40x l1	2x φ3.5x16 mm p25	4x φ3x12 mm p54	12x φ4x55 mm p13	24x φ1.5x12mm #16 r1	4x φ12x10.5mm #12 r15
28x r16	6x ø16 s2	1x 483 mm t17	1x 500 mm w26 CL	1x 500 mm w26 CR	1x 500 mm w26 DL	1x 500 mm w26 DR	8x h=18 mm w36	1x n26 1
1x φ3.5x16 mm p38								

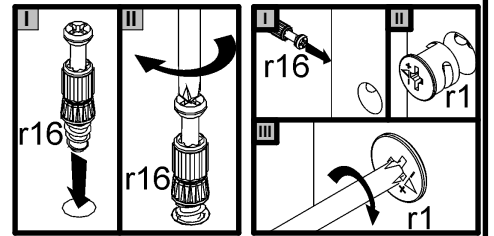
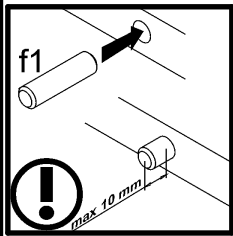
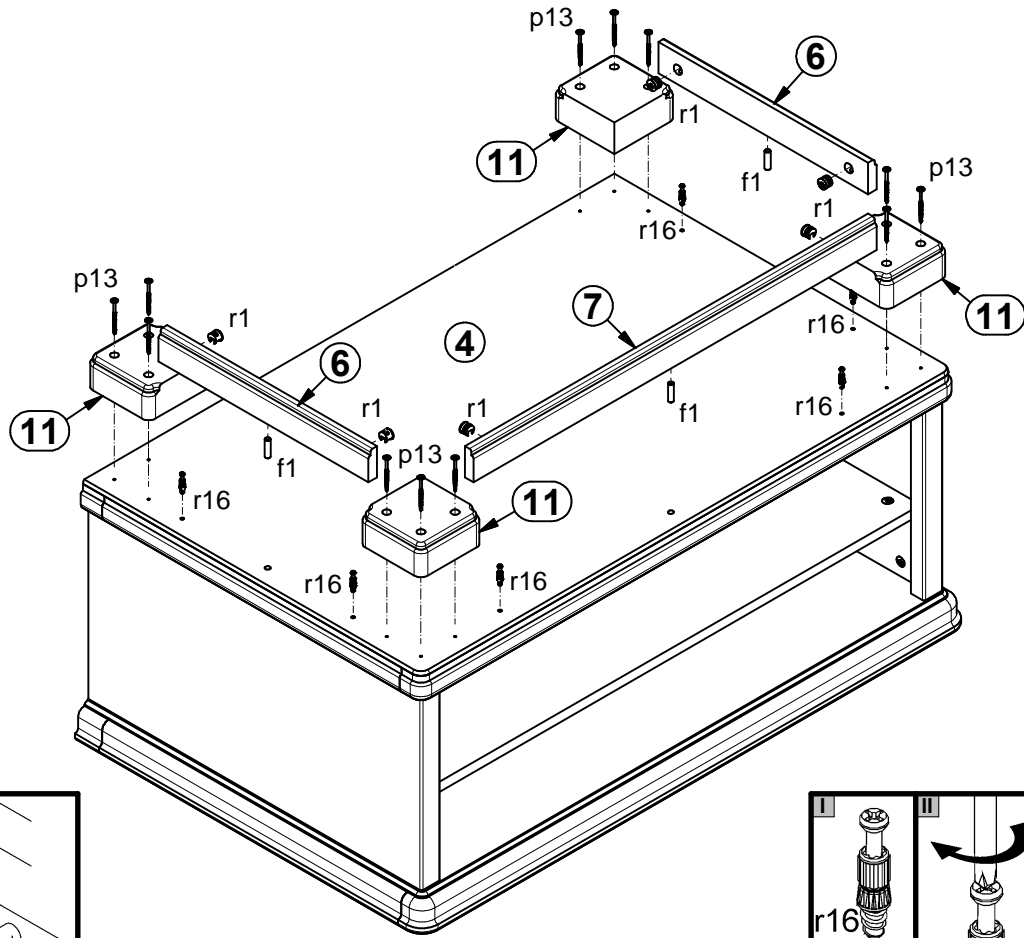
1  



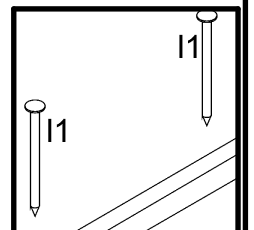
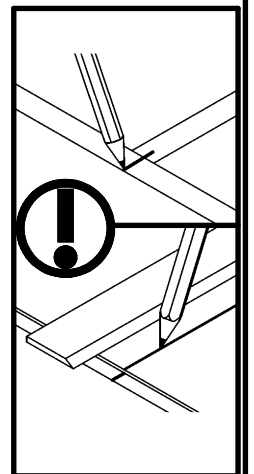
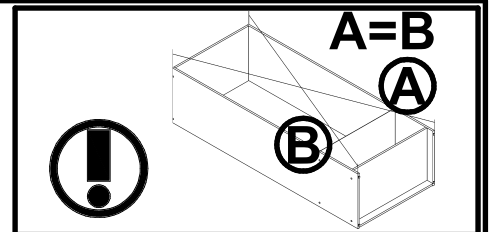
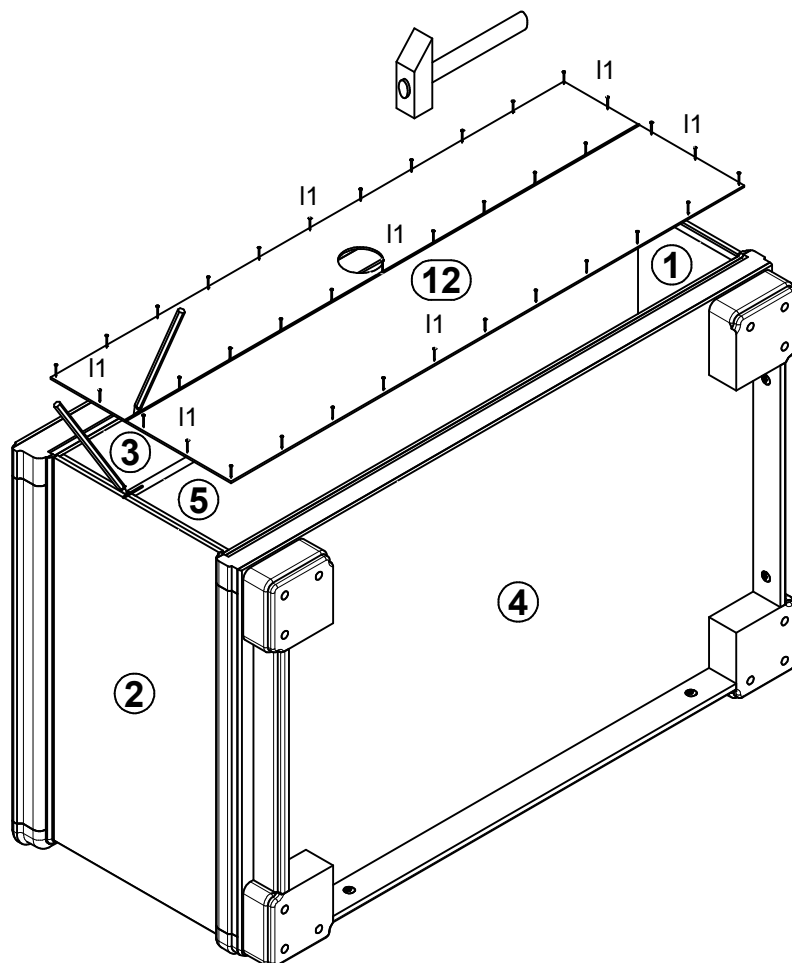
2



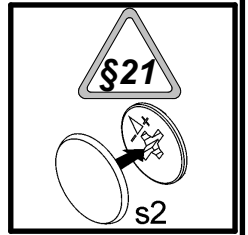
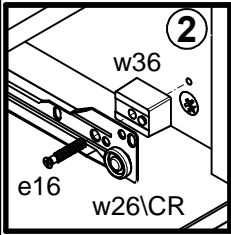
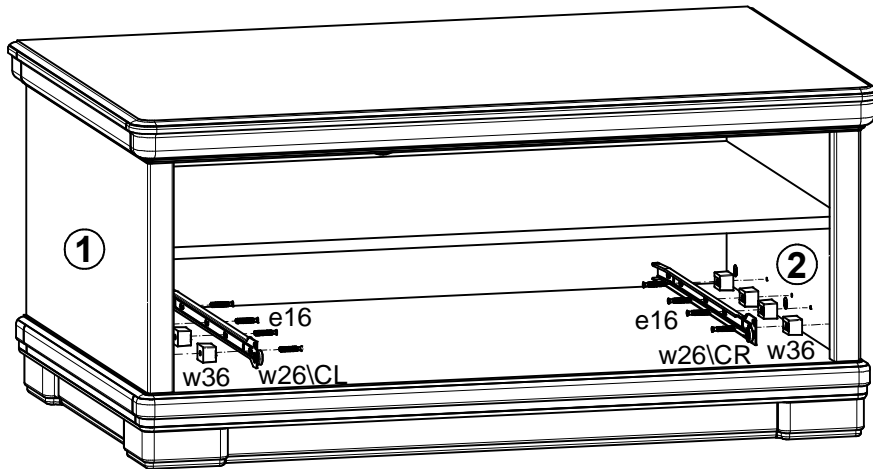
3



4



5 



6

