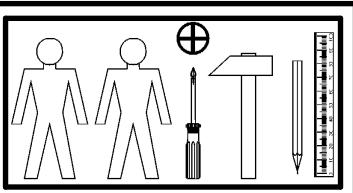
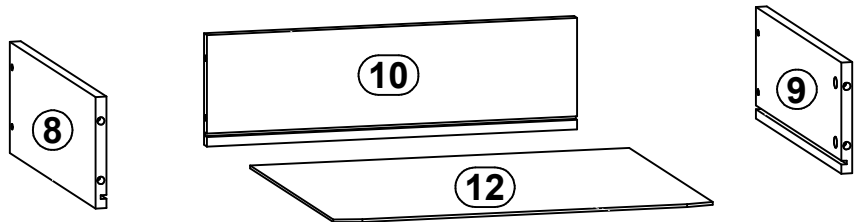
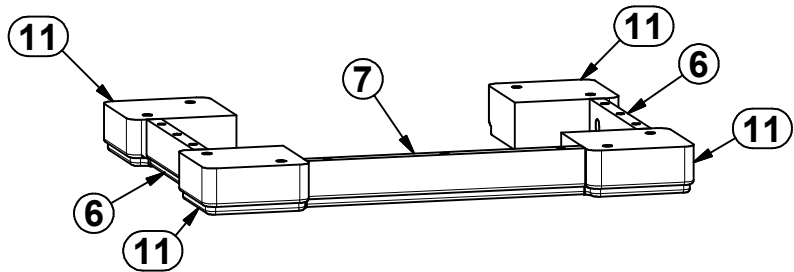
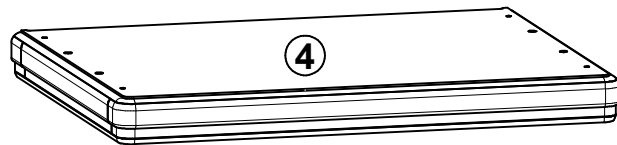
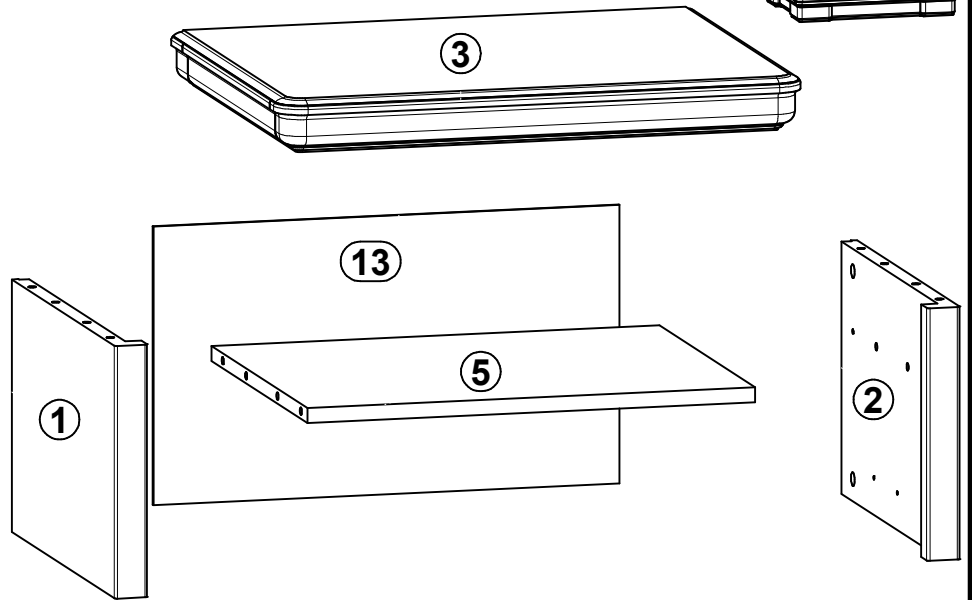
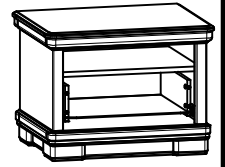


# CHARLOTTA

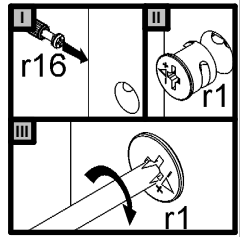
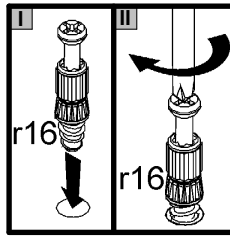
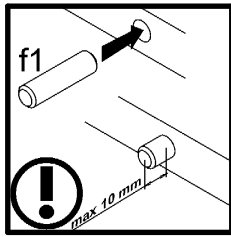
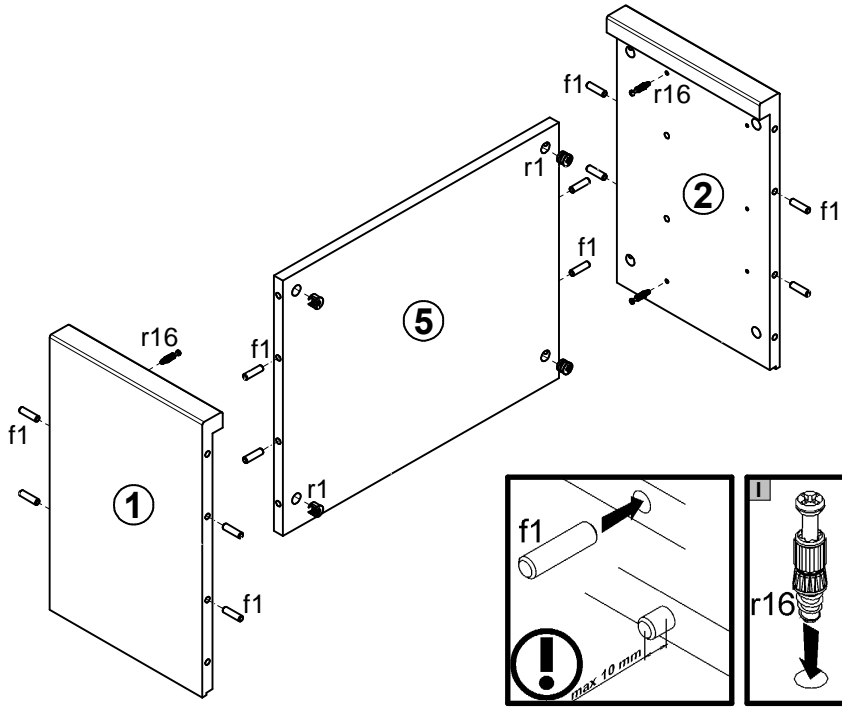
## S96-KOM1S/4/6

A	B	C	D	
1	S96-117	272	422	2/3
2	S96-118	272	422	2/3
3	S96-205	577	448	1/3
4	S96-206	555	435	1/3
5	S96-305	491	393	2/3
6	S96-404	191	51	2/3
7	S96-405	305	51	2/3
8	S96-501	350	120	2/3
9	S96-502	350	120	2/3
10	S96-507	406	120	2/3
11	S96-550	117	117	1/3
12	S96-902	416	348	2/3
13	S96-907	511	300	2/3

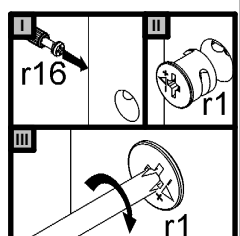
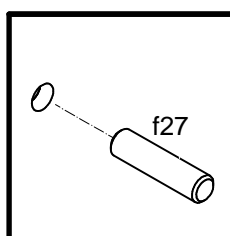
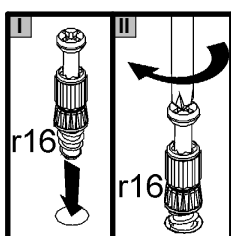
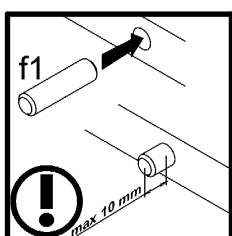
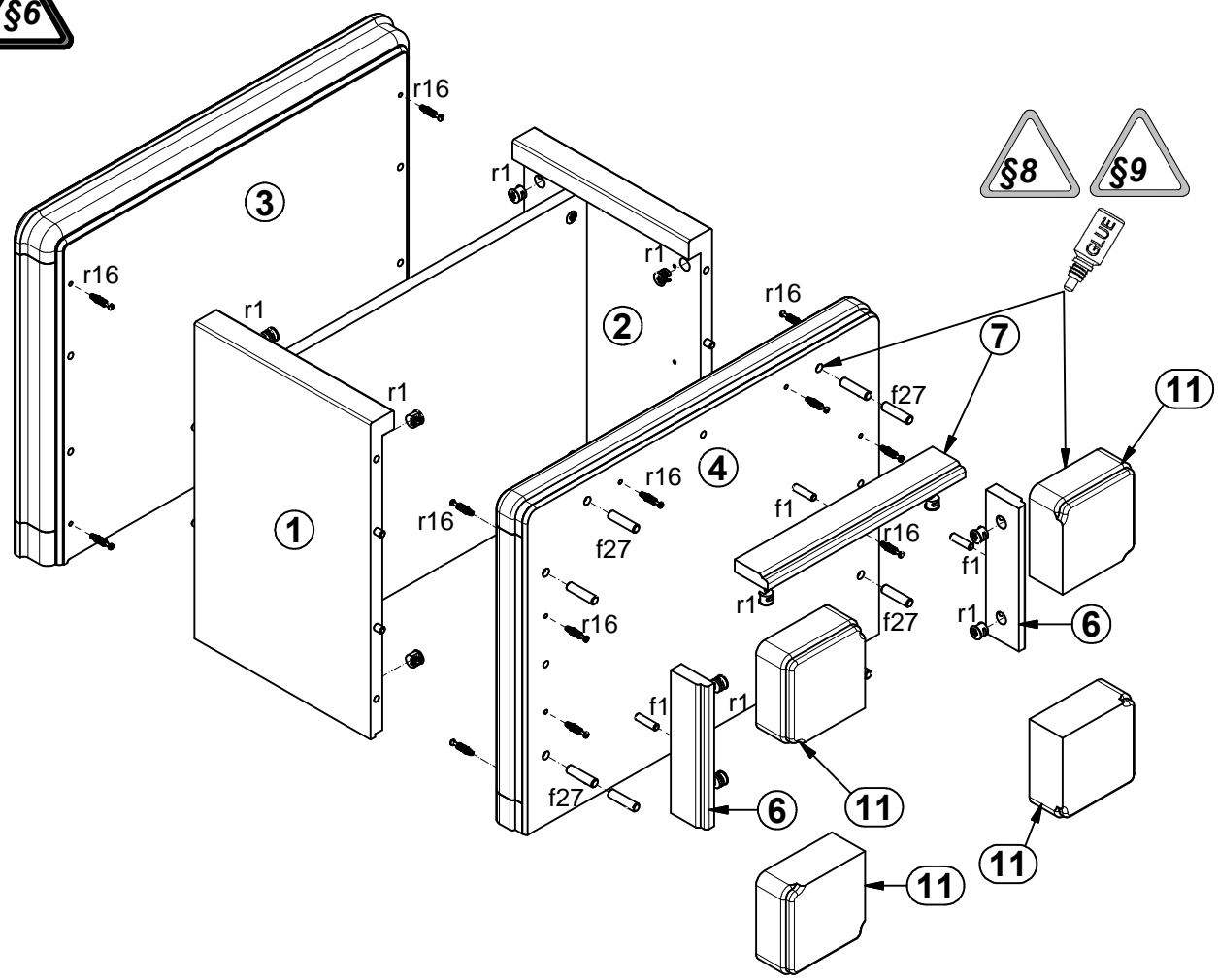


6x  φ6x30 mm <b>e16</b>	15x  φ8x30 mm <b>f1</b>	4x  φ6.5x40 mm <b>f25</b>	8x  φ10x40 mm <b>f27</b>	25x  <b>l1</b>	4x  φ3x12 mm <b>p54</b>	18x  φ1.5x12mm #16 <b>r1</b>	4x  φ12x10.5mm #12 <b>r15</b>	22x  <b>r16</b>
4x  ø16 <b>s2</b>	6x  h=18 mm <b>w36</b>	1x  350 mm <b>w45\CL</b>	1x  350 mm <b>w45\CR</b>	1x  350 mm <b>w45\DL</b>	1x  350 mm <b>w45\DR</b>	1x  <b>GLUE</b> <b>y1</b>		

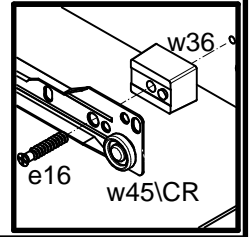
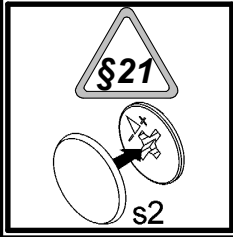
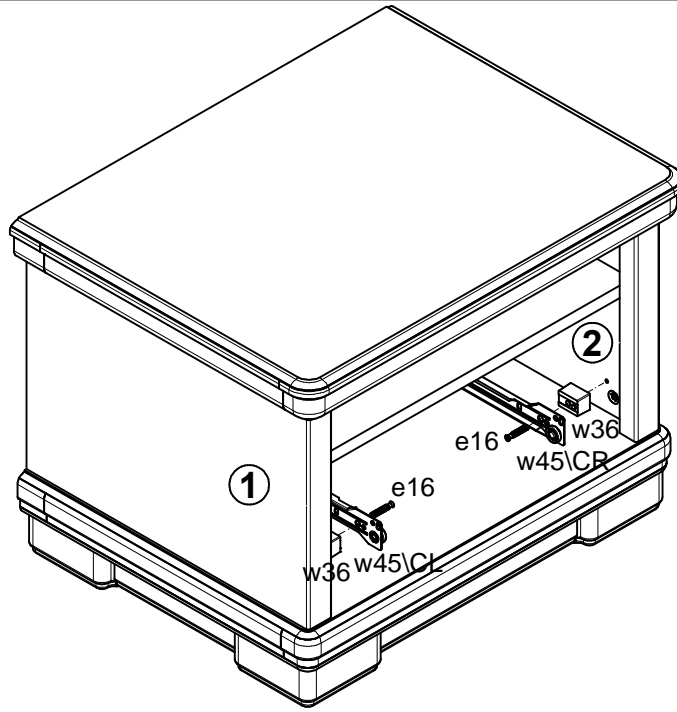
# 1



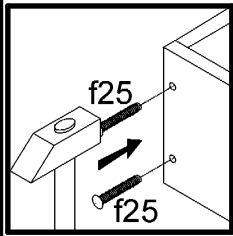
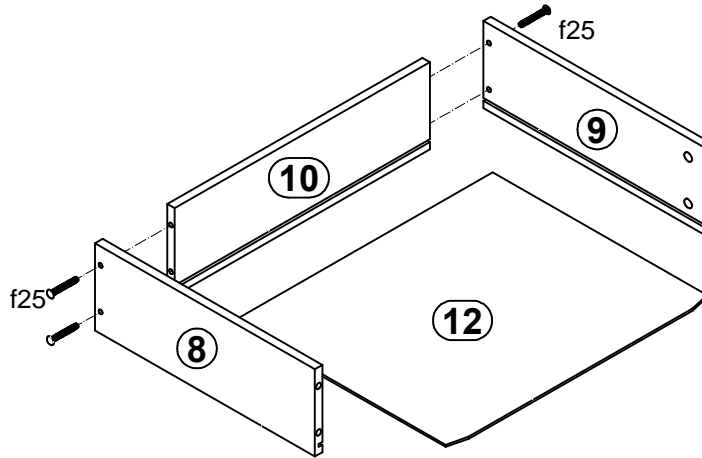
# 2



# 3



# 4



# 5

