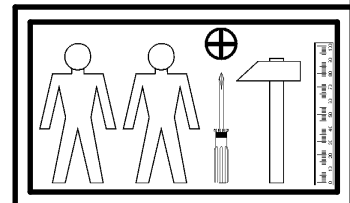
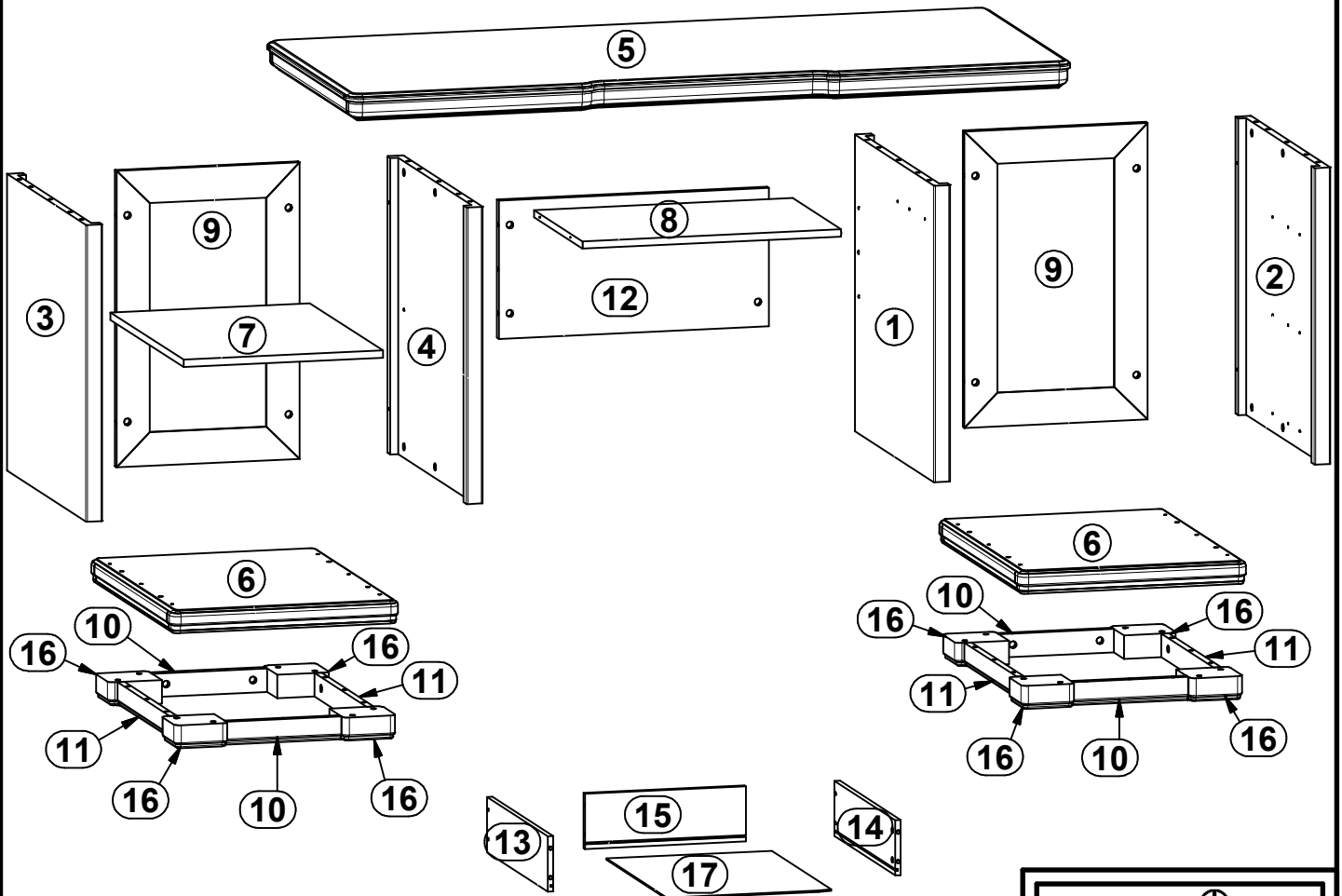
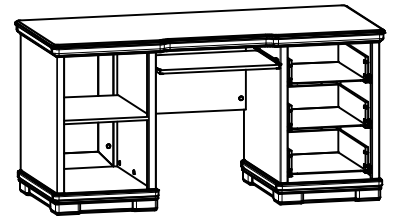


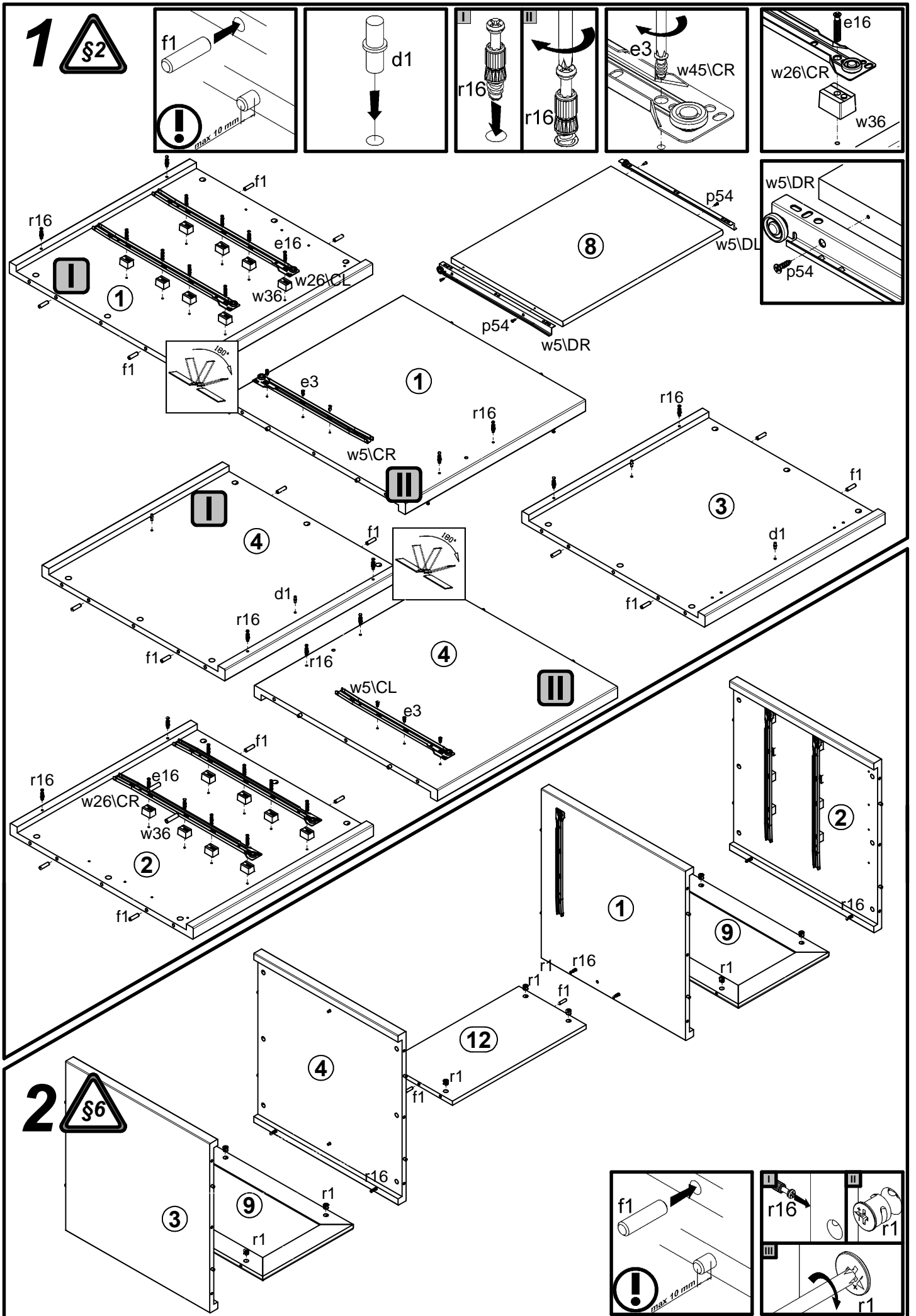
CHARLOTTA

S96-BIU1D3S/8/16

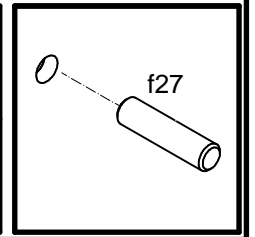
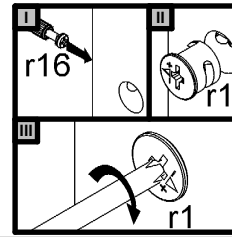
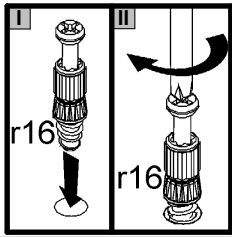
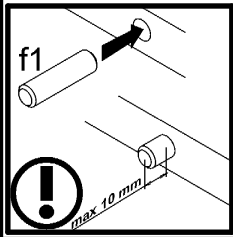
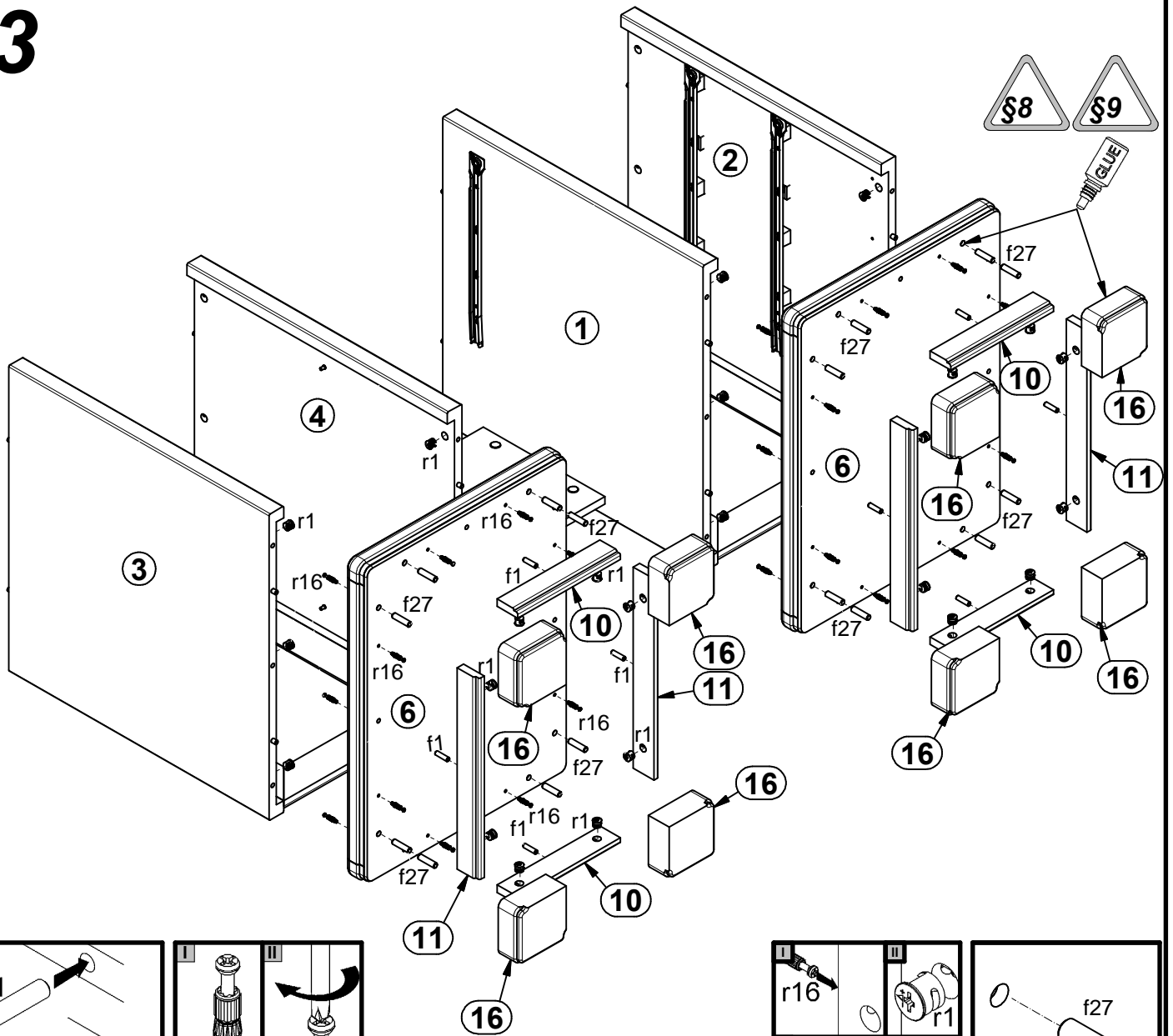
A	B	C	D	A	B	C	D		
1	S96-121	643	654	2/5	10	S96-402	254	51	4/5
2	S96-122	643	654	2/5	11	S96-403	430	51	4/5
3	S96-123	643	654	2/5	12	S96-410	596	300	4/5
4	S96-124	643	654	2/5	13	S96-504	500	120	4/5
5	S96-213	1598	706	1/5	14	S96-505	500	120	4/5
6	S96-214	504	680	2/5	15	S96-512	355	120	4/5
7	S96-306	440	604	4/5	16	S96-550	117	117	2/5
8	S96-315	571	400	4/5	17	S96-908	365	498	4/5
9	S96-401	643	404	5/5					



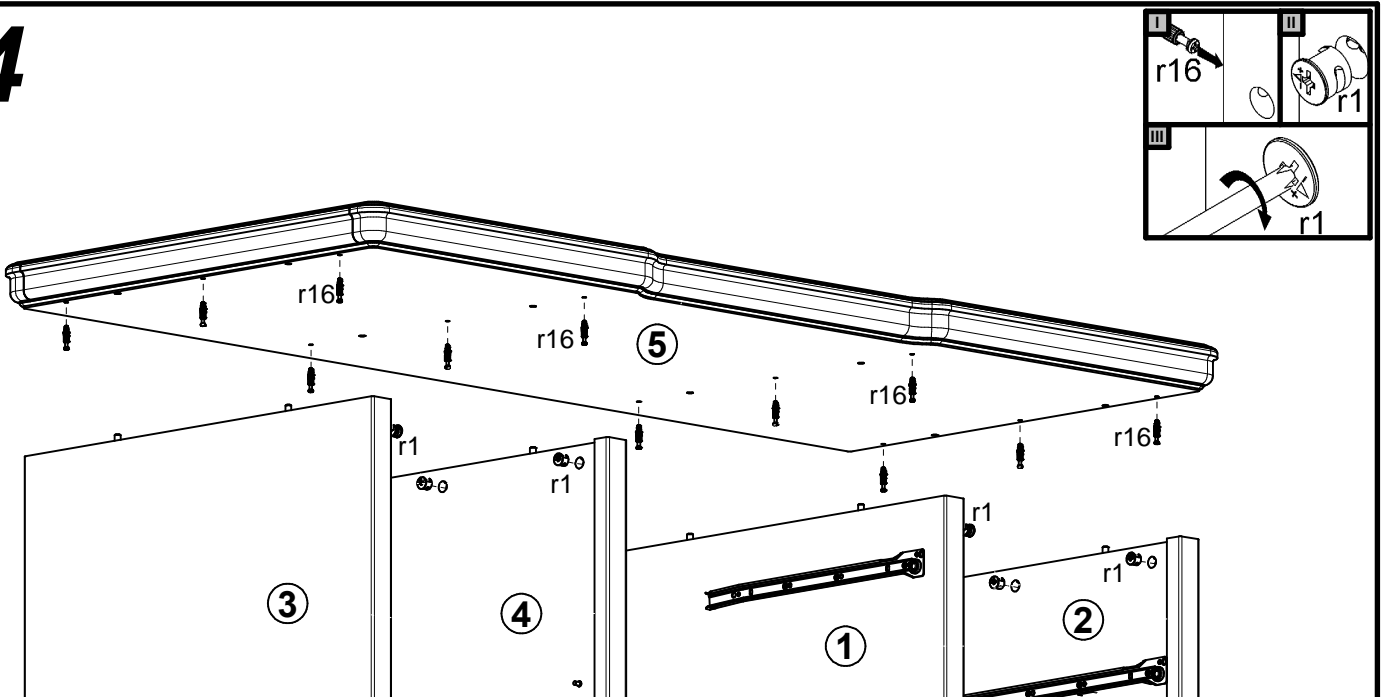
4x φ5x17 mm d1	6x φ6x13 mm e3	24x φ6x30 mm e16	26x φ8x30 mm f1	12x φ6.5x40 mm f25	16x φ10x40 mm f27	16x φ3x12 mm p54	52x φ1.5x12mm #16 r1	12x φ12x10.5mm #12 r15
64x r16	26x ø16 s2	3x 500 mm w26\CL	3x 500 mm w26\CR	3x 500 mm w26\DL	3x 500 mm w26\DR	24x h=18 mm w36	1x 400 mm w5\CL	1x 400 mm w5\CR
1x 400 mm w5\DL	1x 400 mm w5\DR	1x GLUE y1						



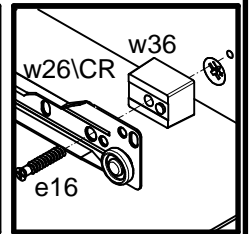
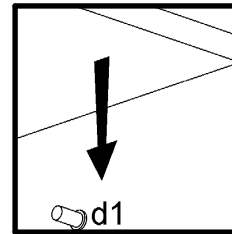
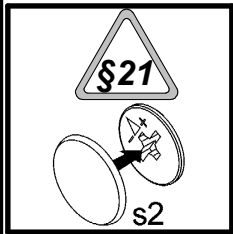
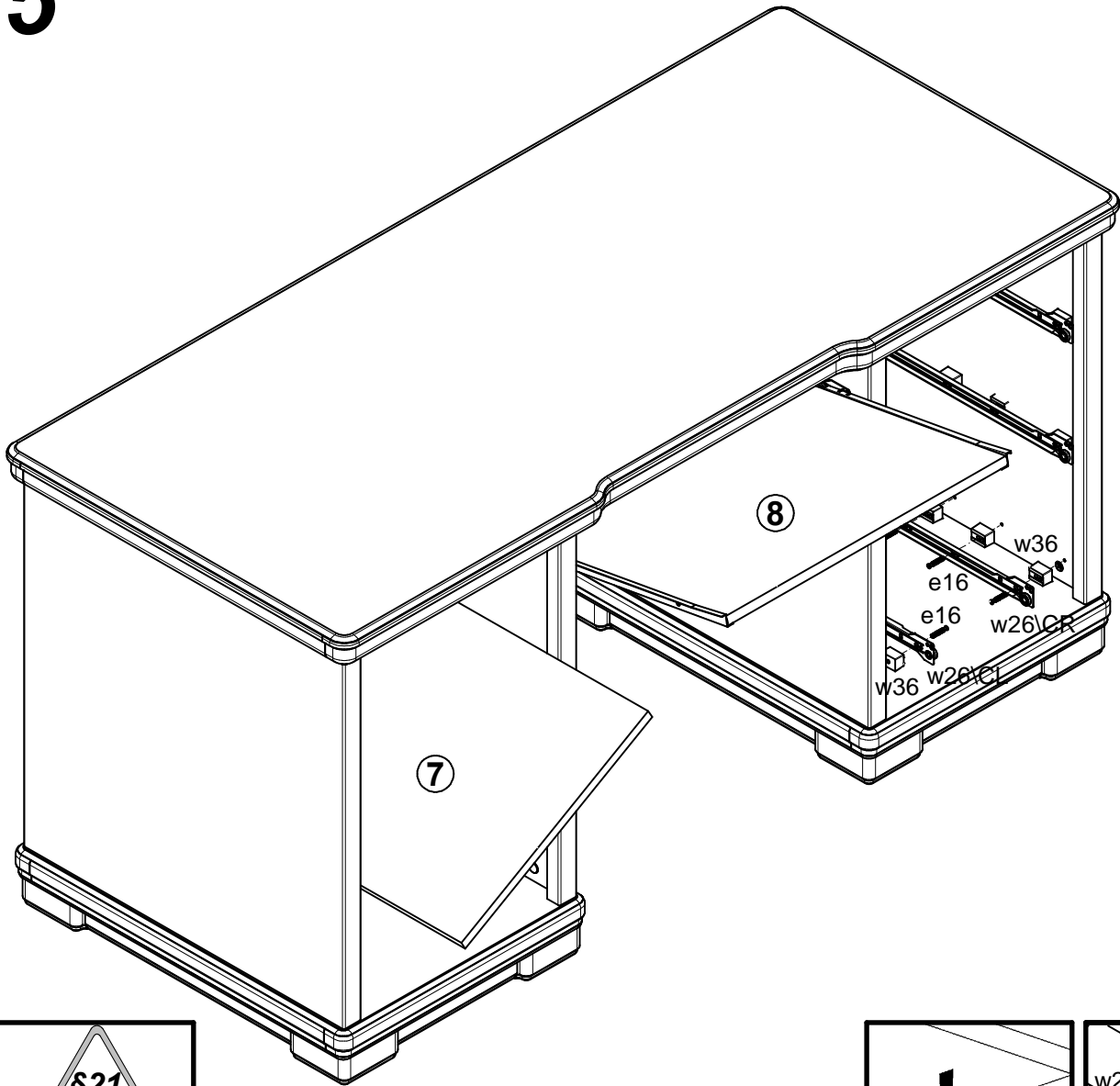
3



4



5



6

