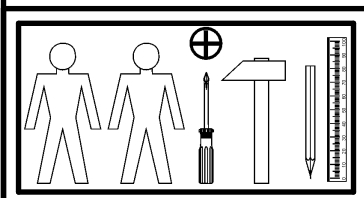
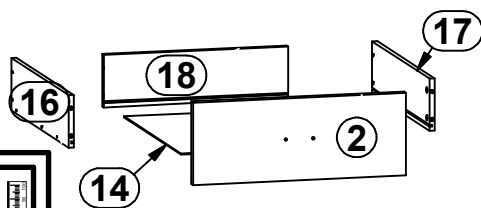
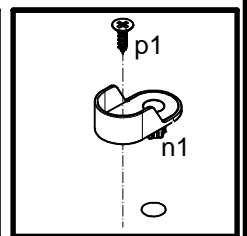
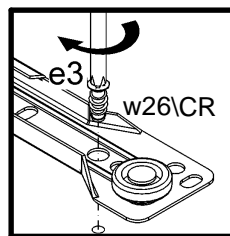
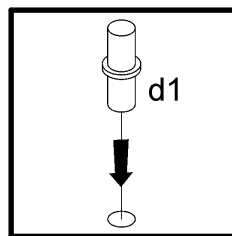
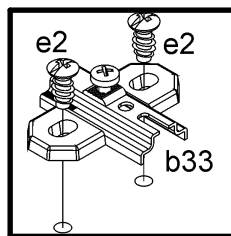
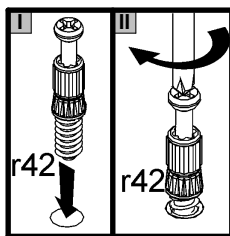
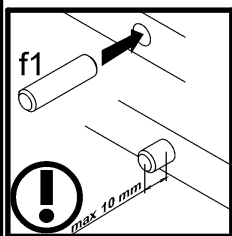
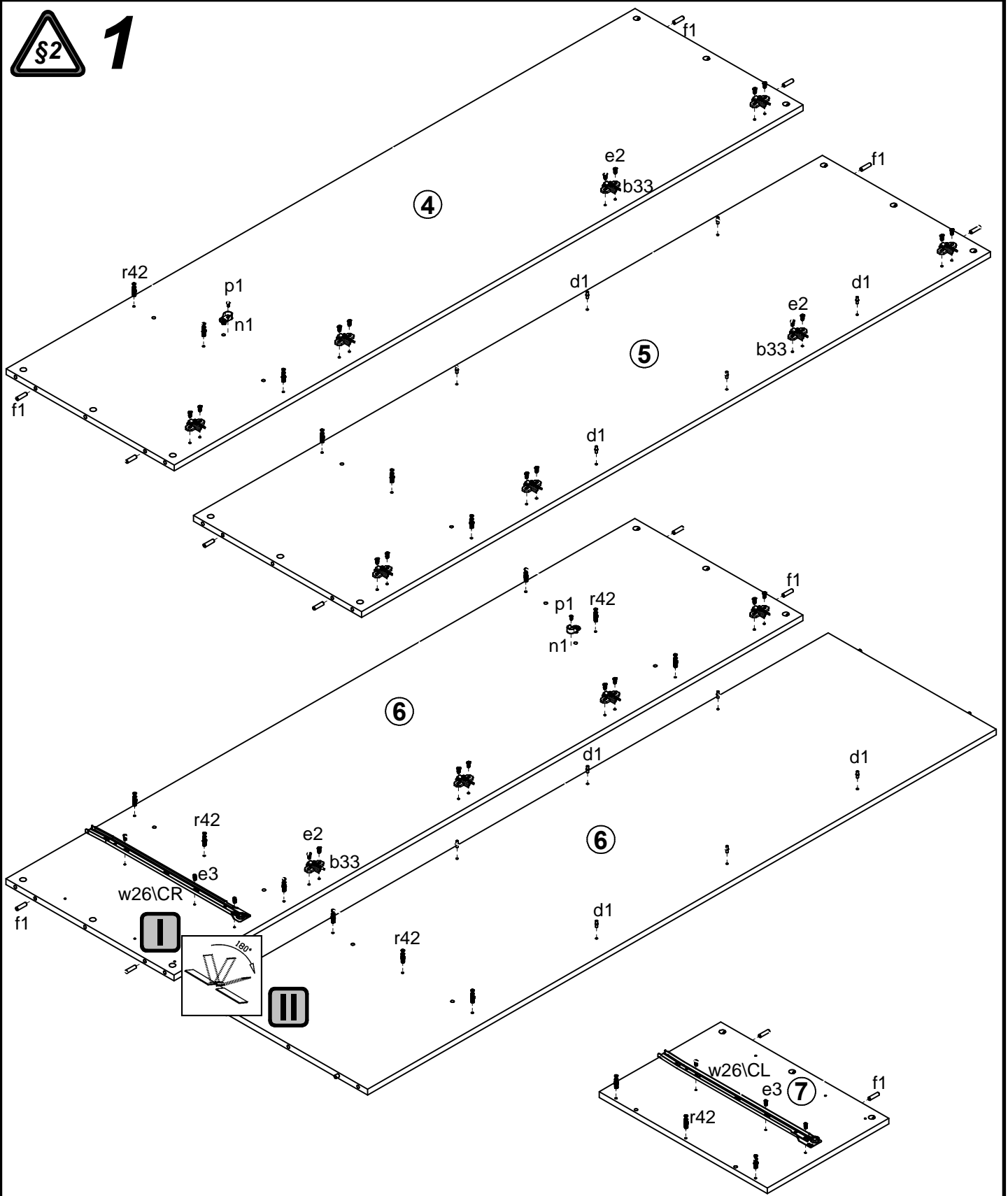


A	B	C		D
1	S75-014	496	2014	5/6
2	S75-015	496	189	5/6
3	S75-016	496	1630	6/6
4	S75-124	2020	540	1/6
5	S75-125	2020	540	1/6
6	S75-126	2020	540	1/6
7	S75-127	391	540	3/6
8	S75-220	1500	560	2/6
9	S75-221	1500	560	2/6
10	S75-316	478	540	3/6
11	S75-317	972	540	3/6
12	S75-318	478	539	3/6
13	S75-917	2058	500	5/6
14	S75-918	440	498	3/6
15	S75-919	2058	993	5/6
16	ZS1-503	500	120	3/6
17	ZS1-504	500	120	3/6
18	ZS1-5527	429	120	3/6
19	dr-966	966	30	3/6

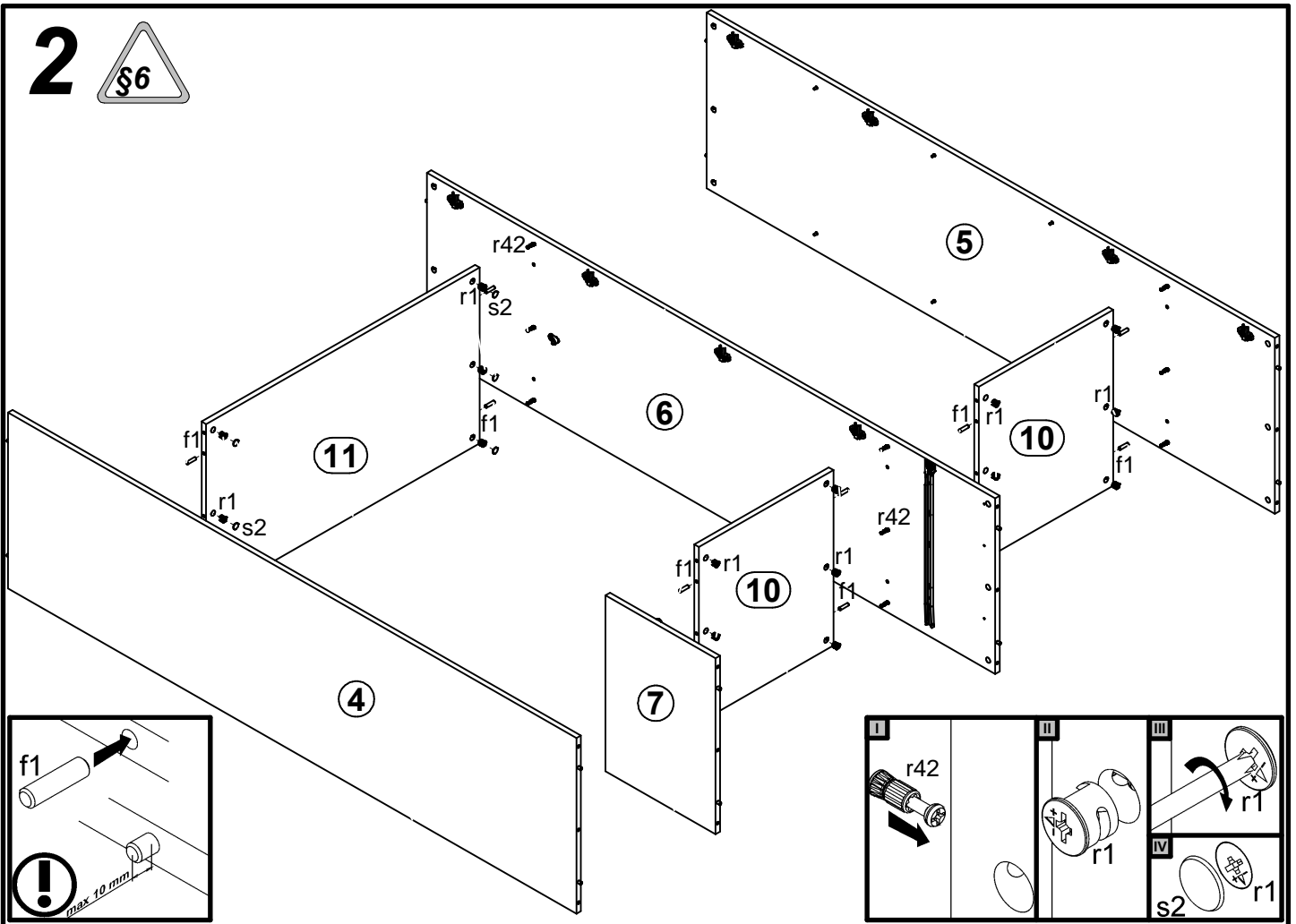


8x a44	4x a68	12x b33	4x c238	12x d1	12x e19	24x e2	12x e3	12x e31
26x f1	8x f25	2x k64/1	4x k64/2	150x l1	2x n1	2x p1	24x p51	8x p60
39x r1	8x r15	47x r42	21x s2	2x w26\CL	2x w26\CR	2x w26\DL	2x w26\DR	

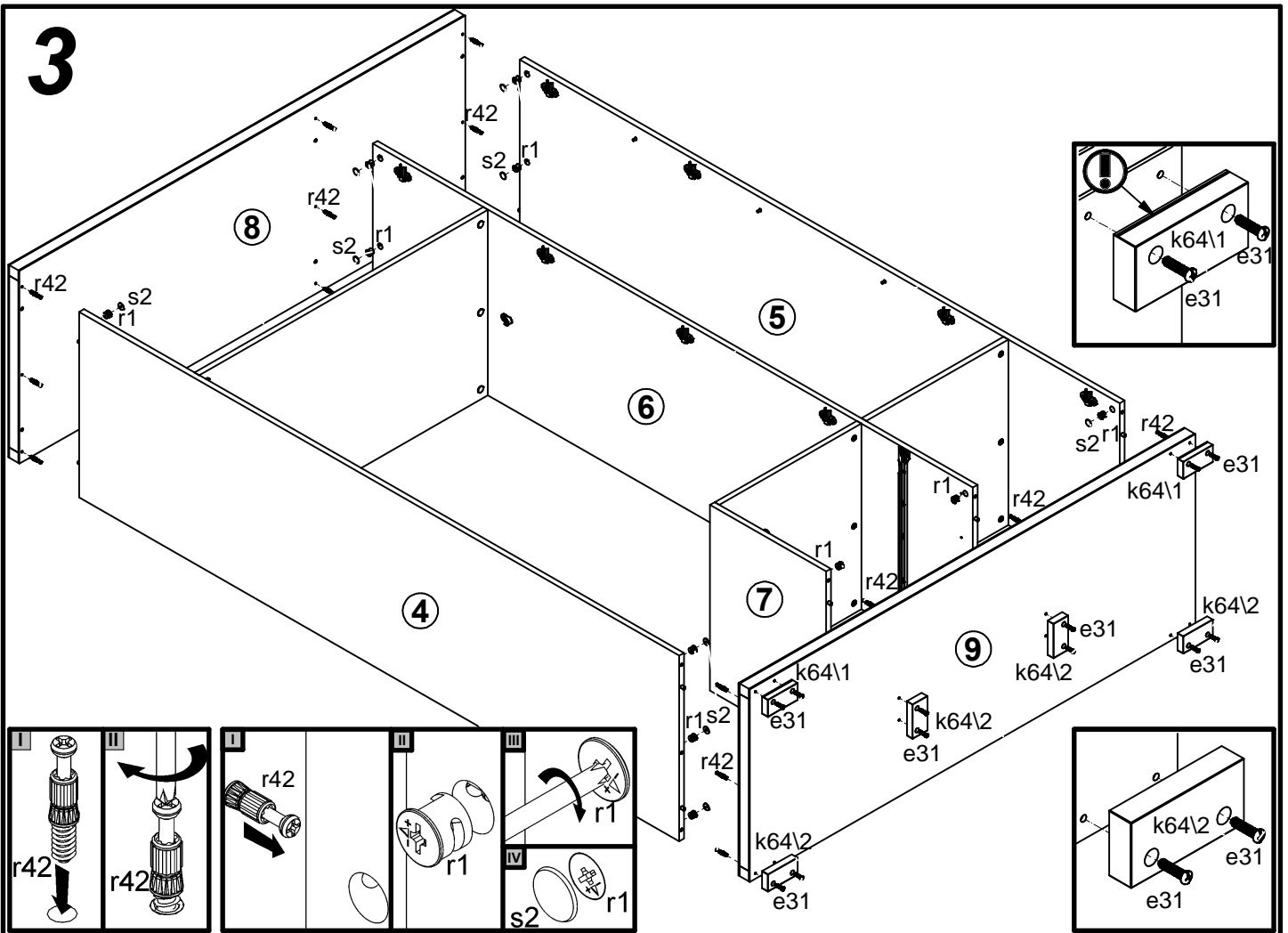
§2 1

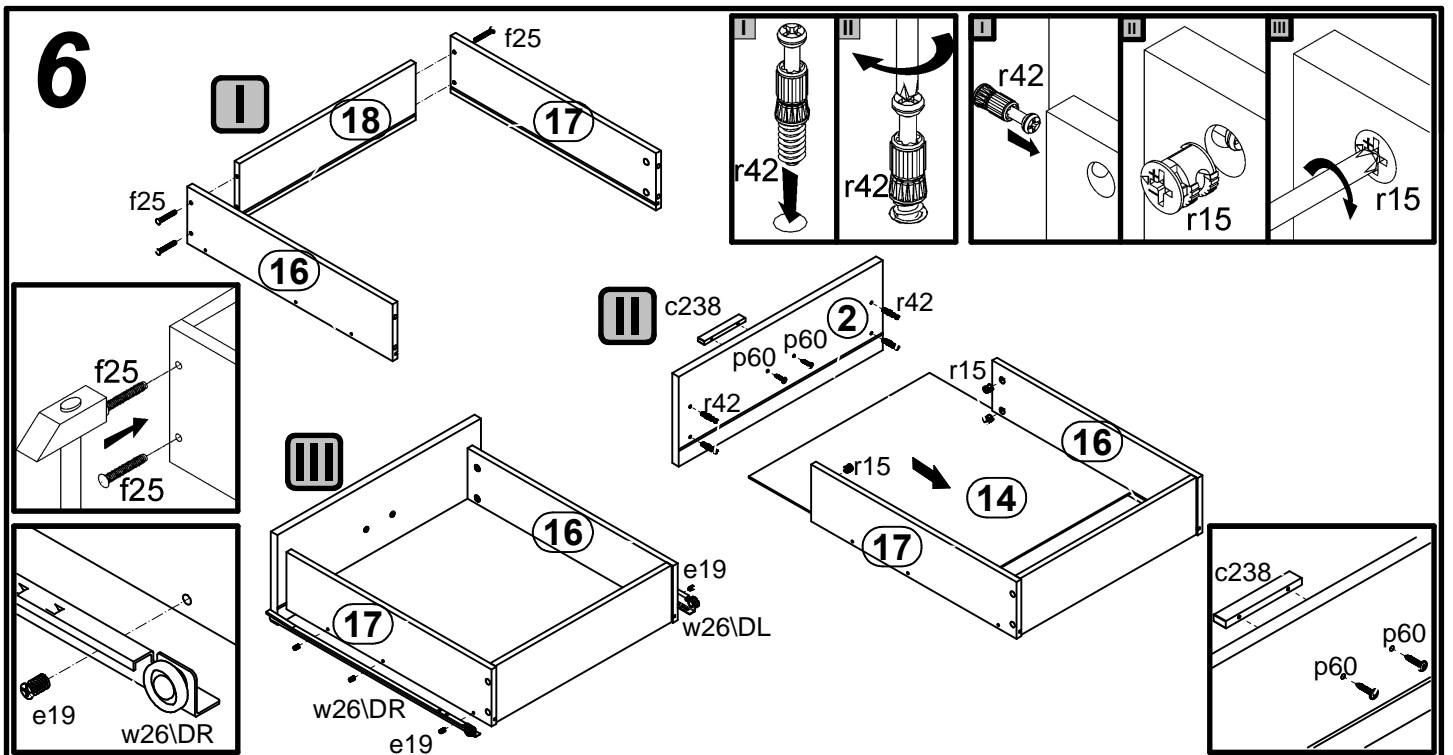
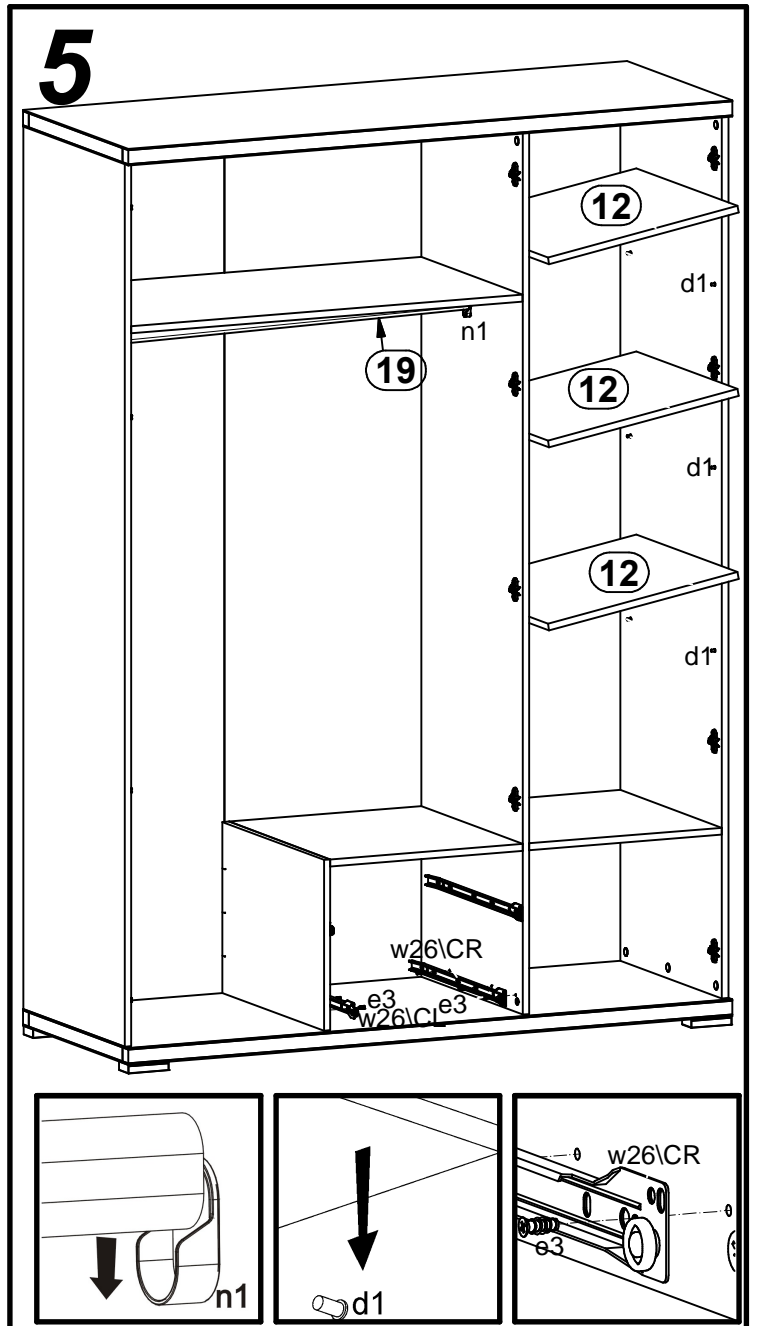
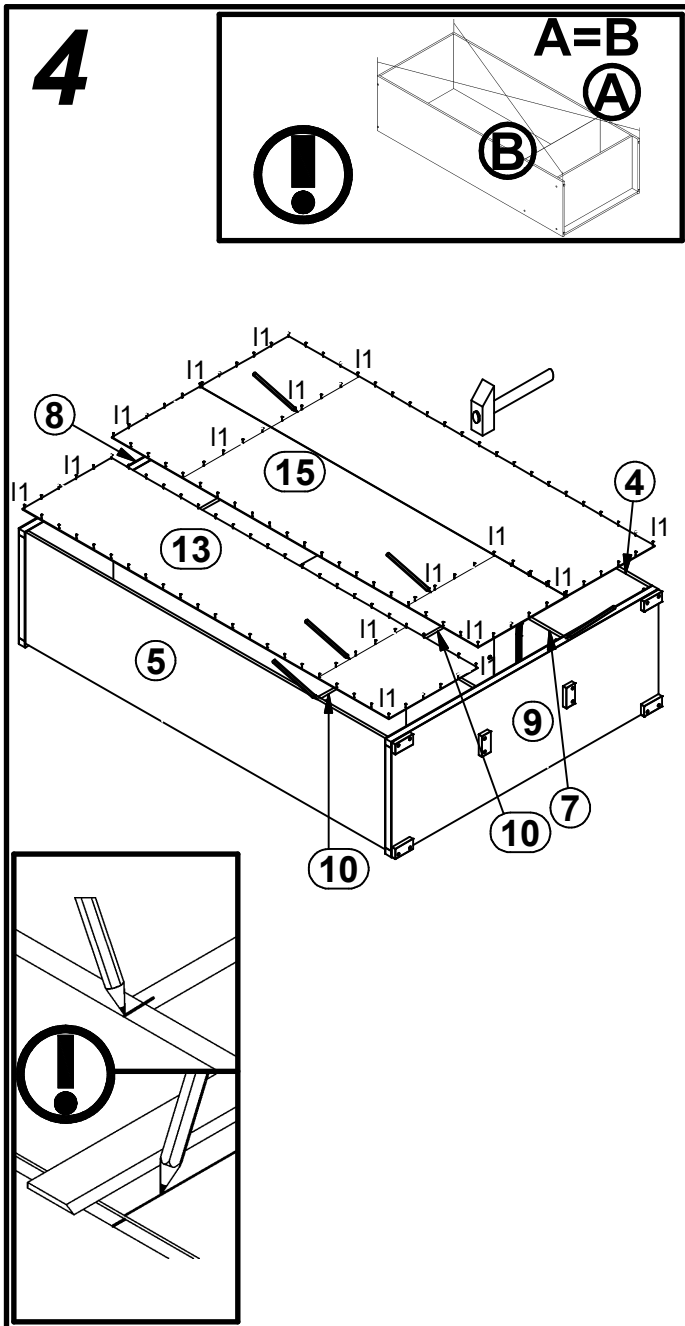


2



3





7

